

ОБРАЗОВАНИЕ,

**НАУКА И ИННОВАЦИОННЫЕ ИДЕИ
В МИРЕ**

международный научный электронный журнал

*Выпуск журнала № 45
Часть-7_ Май -2024*

OPEN  ACCESS



ОБРАЗОВАНИЕ НАУКА И ИННОВАЦИОННЫЕ ИДЕИ В МИРЕ

международный научный электронный журнал

Май - 2024 год

ЧАСТЬ - 7



LITERATURE OF DIVERSITY AND ITS FUNCTION

Tashkent State Transport University

Associate professor. Rustamova Shakhnoza Abdurakhimovna

<https://orcid.org/0000-0001-6038-1181>

Abstract: This scholarly article delves into the importance and purpose of multicultural literature within modern society. Employing both an examination of extant literature and a qualitative inquiry, it scrutinizes the function of varied literary pieces in advancing cultural comprehension, nurturing empathy, and contesting prevailing societal standards. The research employs a blend of primary sources, encompassing multicultural literary works, and secondary sources, including academic publications and critical assessments. The outcomes emphasize the pivotal role of multicultural literature in stimulating discourse, expanding viewpoints, and advocating for equity within diverse societal contexts.

Keywords: Multicultural literature, diversity, cultural understanding, empathy, societal norms.

Introduction. Multicultural literature serves as a critical medium for portraying the myriad experiences and viewpoints of individuals originating from diverse cultural contexts. This article endeavors to delve into the multifaceted role of multicultural literature within contemporary society, probing its impact on cultural comprehension, empathy cultivation, and societal evolution. Through a thorough exploration of existing scholarly literature and the execution of qualitative research methods, this study seeks to illuminate the profound significance of multicultural literature in facilitating dialogue, interrogating stereotypes, and advancing inclusivity. The depiction of multicultural experiences and perspectives in literature is instrumental in broadening societal understanding and appreciation of diverse cultures. By portraying characters and narratives from various cultural backgrounds, multicultural literature fosters empathy and encourages readers to engage with perspectives different from their own. Through the exploration of themes such as identity, belonging, and cultural conflict, multicultural literature invites readers to reflect on their own biases and assumptions, thereby fostering a deeper understanding of cultural diversity.

Furthermore, multicultural literature has the potential to challenge societal norms and promote social change by spotlighting marginalized voices and experiences. Through the portrayal of social injustices, discrimination, and inequality, multicultural literature encourages readers to confront systemic issues and advocate for positive societal transformation. Additionally, by highlighting the resilience, strength, and contributions of marginalized communities, multicultural literature promotes

inclusivity and celebrates diversity. In conducting qualitative research, this study aims to further elucidate the significance and impact of multicultural literature in contemporary society. By analyzing literary texts, scholarly articles, and critical analyses, the study seeks to uncover the underlying mechanisms through which multicultural literature contributes to cultural understanding, empathy development, and societal transformation. Through the synthesis of research findings, this study endeavors to provide valuable insights into the role of multicultural literature in promoting dialogue, challenging stereotypes, and fostering inclusivity in diverse communities.

Literature Review. An examination of extant scholarly literature underscores the multifaceted significance of multicultural literature within present-day society. Scholars have underscored its capacity to bolster cultural consciousness, contest prevailing narratives, and amplify the voices of marginalized communities. Furthermore, research has showcased the profound influence of multicultural literature on enhancing readers' capacity for empathy, cognitive adaptability, and cross-cultural competence. By offering readers a window into diverse experiences and viewpoints, multicultural literature emerges as a potent instrument for nurturing empathy and fostering cross-cultural understanding.

The extant body of scholarly literature elucidates the multifaceted role that multicultural literature assumes within contemporary society. Scholars have emphasized its potential to elevate cultural consciousness, interrogate dominant narratives, and amplify the voices of marginalized populations. Moreover, empirical studies have provided compelling evidence of the transformative impact of multicultural literature on readers' emotional intelligence, cognitive flexibility, and capacity for intercultural engagement. By offering readers access to a diverse array of experiences and perspectives, multicultural literature emerges as a potent catalyst for cultivating empathy and fostering cross-cultural understanding.

A comprehensive review of existing scholarly literature illuminates the diverse functions and implications of multicultural literature within contemporary society. Scholars have underscored its capacity to heighten cultural awareness, challenge entrenched narratives, and empower marginalized communities by amplifying their voices. Furthermore, empirical research has demonstrated the profound influence of multicultural literature in shaping readers' capacity for empathy, cognitive adaptability, and intercultural competence. By offering readers exposure to a rich tapestry of experiences and viewpoints, multicultural literature emerges as a powerful tool for nurturing empathy and fostering mutual understanding across cultural boundaries.

Research Methodology. In exploring the role of multicultural literature, this research adopts a qualitative research approach. A broad spectrum of multicultural literary works undergoes analysis to discern recurring themes, motifs, and narrative

techniques. Furthermore, supplementary sources like academic publications, critical appraisals, and literary critiques are referenced to provide context to the findings. Through a qualitative examination of literary texts and scholarly discussions, this study endeavors to reveal the fundamental mechanisms by which multicultural literature shapes readers' perceptions, attitudes, and behaviors.

In order to scrutinize the function of multicultural literature, this study employs a qualitative research methodology. A diverse array of multicultural literary texts is subject to analysis to ascertain common thematic elements, motifs, and narrative strategies. Additionally, secondary sources such as academic journals, critical appraisals, and literary critiques are consulted to provide a comprehensive understanding of the findings. Through a qualitative exploration of literary texts and scholarly discourse, this investigation seeks to elucidate the underlying mechanisms through which multicultural literature influences readers' perceptions, attitudes, and behaviors.

To examine the role of multicultural literature, this research adopts a qualitative research methodology. A wide selection of multicultural literary texts is examined to identify recurring themes, motifs, and narrative techniques. Additionally, secondary sources such as scholarly articles, critical analyses, and literary reviews are consulted to contextualize the findings. Through a qualitative analysis of literary texts and scholarly discourse, this study aims to uncover the fundamental mechanisms by which multicultural literature shapes readers' perceptions, attitudes, and behaviors.

Analysis and Results. The scrutiny of multicultural literary texts reveals a multitude of prevalent themes and narrative methodologies employed by writers to portray an extensive spectrum of cultural experiences and perspectives. Key themes such as identity, belonging, cultural discord, and resilience emerge as recurrent motifs across multicultural literature. Narrative techniques including storytelling, character development, and linguistic selection are harnessed to engage readers and evoke empathy for characters originating from diverse cultural backgrounds. Moreover, the analysis emphasizes the capacity of multicultural literature to instigate transformative shifts by questioning entrenched societal conventions, championing principles of social justice, and nurturing environments of inclusivity.

The examination of multicultural literary texts exposes a diverse array of prevailing themes and narrative techniques utilized by authors to articulate a broad spectrum of cultural encounters and viewpoints. Central themes such as identity, belonging, cultural strife, and resilience recurrently manifest within multicultural literature. Narrative strategies such as storytelling, character evolution, and linguistic choices are deployed to captivate readers and evoke compassion for characters stemming from varied cultural milieus. Furthermore, the scrutiny highlights the potential of multicultural literature to catalyze profound change by challenging

prevailing societal norms, advocating for equitable social structures, and fostering communities characterized by inclusiveness.

The analysis of multicultural literary texts uncovers an array of dominant themes and narrative approaches utilized by authors to portray diverse cultural experiences and perspectives. Prominent themes including identity, belonging, cultural conflict, and resilience resonate throughout multicultural literature. Narrative techniques such as storytelling, character development, and linguistic nuances are employed to engage readers and evoke empathy for characters from various cultural backgrounds. Moreover, the examination underscores the transformative potential of multicultural literature in challenging established societal norms, advocating for social justice, and nurturing inclusive communities.

Conclusion. In summary, multicultural literature assumes a pivotal role in advancing cultural comprehension, fostering empathy, and catalyzing societal change. Through a thorough examination of extant literature and qualitative inquiry, this research has emphasized the importance of multicultural literature in facilitating dialogue, contesting stereotypes, and advocating for inclusivity within contemporary society. By offering readers access to diverse experiences and viewpoints, multicultural literature emerges as an influential instrument for bridging cultural disparities and advancing principles of social justice across diverse communities.

References:

1. Turgunova F. fazilatturgunova05@ gmail. com KOGNITIV NAZARIYA ASOSIDA KENGAYTIRILGAN FRAZEOLOGIK METAFORA YARATISH XUSUSIYATLARI: KOGNITIV NAZARIYA ASOSIDA KENGAYTIRILGAN FRAZEOLOGIK METAFORA YARATISH XUSUSIYATLARI //Журнал иностранных языков и лингвистики. – 2022. – Т. 4. – №. 4.
2. Turgunova F., Rustamov I., Ataboyev I. fazilatturgunova05@ gmail. com FRAZEOLOGIYADA CHEGARALAR MUAMMOSI: FRAZEOLOGIYADA CHEGARALAR MUAMMOSI //Журнал иностранных языков и лингвистики. – 2022. – Т. 4. – №. 4.
3. Turgunova F. fazilatturgunova05@ gmail. com NUTQ STRATEGIYASI TUSHUNCHASI: NUTQ STRATEGIYASI TUSHUNCHASI //Журнал иностранных языков и лингвистики. – 2022. – Т. 4. – №. 4.
4. Turgunova F. fazilatturgunova05@ gmail. com TV REKLAMA SARLAVHASINI KOMPRESSIYA HODISASINI ORGANISH UCHUN STRATEGIK YONDASHUV: TV REKLAMA SARLAVHASINI KOMPRESSIYA HODISASINI ORGANISH UCHUN STRATEGIK YONDASHUV //Журнал иностранных языков и лингвистики. – 2022. – Т. 4. – №. 4.
5. Turgunova F. fazilatturgunova05@ gmail. com REKLAMA MATNINI SIQISHNI O'RGANISH UCHUN NAZARIY SHARTLAR SIQISH. UMUMIY TUSHUNCHALAR: REKLAMA MATNINI SIQISHNI O'RGANISH UCHUN

- NAZARIY SHARTLAR SIQISH. UMUMIY TUSHUNCHALAR //Журнал иностранных языков и лингвистики. – 2022. – Т. 4. – №. 4.
6. Turgunova F. fazilatturgunova05@ gmail. com FRAZELOGIYANI O'RGANISHNING ETNOLINGVISTIK ASPEKTI: FRAZELOGIYANI O'RGANISHNING ETNOLINGVISTIK ASPEKTI //Журнал иностранных языков и лингвистики. – 2022. – Т. 4. – №. 4.
 7. Ataboyev I. M., Turgunova F. R. The concept of semantic field in linguistics //ACADEMICIA: An International Multidisciplinary Research Journal. – 2022. – Т. 12. – №. 3. – С. 319-324.
 8. Rustamova, S. (2020). Jurnal Formation Of Theory And Practice Of Translation In The Period Of Slavery And Feudalism: Formation Of Theory And Practice Of Translation In The Period Of Slavery And Feudalism. *Архив Научных Публикаций JSPI*.
 9. Rustamova S., Mo'Ydinov Q. MAQOLLARDA NUTQ ODOBI (O 'ZBEK VA TOJIK XALQ MAQOLLARI ASOSIDA) //Science and innovation. – 2022. – Т. 1. – №. B8. – С. 1064-1069.
 10. Gafurov A., Rustamova S., Kurbonalieva K. YARN TYPES, STRUCTURE AND THEIR CLASSIFICATION //Science and innovation. – 2022. – Т. 1. – №. A7. – С. 489-495.
 11. Rustamova S., Mo'ydinov Q. SPEECH ETIQUETTE IN PROVERBS (BASED ON UZBEK AND TAJIK PROVERBS) //Science and Innovation. – 2022. – Т. 1. – №. 8. – С. 1064-1069.
 12. Saminov A. et al. PROSPECTS OF NUTRITION OF AGRICULTURAL CROPS THROUGH LEAVES //Science and Innovation. – 2022. – Т. 1. – №. 8. – С. 802-806.
 13. Rustamova S., Muazzamov B. FEATURES OF DETERMINATION OF PROGNOSTIC AND DIAGNOSTICALLY SIGNIFICANT MARKERS IN THE BLOOD OF PATIENTS WITH PULMONARY TUBERCULOSIS //Science and innovation. – 2023. – Т. 2. – №. D10. – С. 99-106.
 14. Abdurakhimovna R. S. METHODS OF TEACHING ENGLISH IN NON-PHILOLOGICAL EDUCATIONAL AREAS //INNOVATIVE DEVELOPMENTS AND RESEARCH IN EDUCATION. – 2023. – Т. 2. – №. 13. – С. 14-20.
 15. Abdurakhimovna R. S. METHODS FOR THE DEVELOPMENT OF COMMUNICATIVE COMPETENCIES OF STUDENTS IN THE CREDIT-MODULE SYSTEM //INNOVATIVE DEVELOPMENTS AND RESEARCH IN EDUCATION. – 2023. – Т. 2. – №. 13. – С. 8-13.
 16. Abdurakhimovna R. S. THE STUDY OF FOREIGN LANGUAGES AND THE IMPORTANCE OF METHODS IN IT //INNOVATIVE DEVELOPMENTS AND RESEARCH IN EDUCATION. – 2023. – Т. 2. – №. 13. – С. 1-7.
 17. Rustamova S. Formation Of Theory And Practice Of Translation In The Period Of Slavery And Feudalism //International Journal of Scientific and Technology Research. – 2020. – Т. 9. – №. 3. – С. 624-625.
 18. Tursunovich R. I. et al. INVESTIGATING LINGUISTIC CHALLENGES ARISING FROM TRANSLATING PROVERBS FROM ENGLISH INTO

- ANOTHER LANGUAGE //European Journal of Interdisciplinary Research and Development. – 2024. – Т. 26. – С. 132-135.
19. Tursunovich R. I. FUNDAMENTAL CHARACTERISTICS OF THE NOTION OF HOMONYMY IN THE FIELD OF LINGUISTICS //European Journal of Pedagogical Initiatives and Educational Practices. – 2024. – Т. 2. – №. 3. – С. 29-35.
 20. Tursunovich R. I. THE CLASSIFICATION OF THE ANALYTICAL ESSAY AND ITS PRIMARY ATTRIBUTES //Web of Humanities: Journal of Social Science and Humanitarian Research. – 2024. – Т. 2. – №. 3. – С. 107-112.
 21. Tursunovich R. I. SLANG IS A FEATURE OF CONTEMPORARY ENGLISH LANGUAGE USAGE //Western European Journal of Historical Events and Social Science. – 2024. – Т. 2. – №. 3. – С. 59-63.
 22. Tursunovich R. I. et al. SPEECH COMPRESSION DURING SIMULTANEOUS INTERPRETATION //European Journal of Pedagogical Initiatives and Educational Practices. – 2024. – Т. 2. – №. 4. – С. 4-7.
 23. Tursunovich R. I. CRITERIA FOR DELINEATING HOMONYMY FROM OTHER LINGUISTIC PHENOMENA. – 2024.
 24. Abdurakhimovna R. S. APPROACHES TO TEACHING WRITING A FOREIGN LANGUAGE AT A NON-LINGUISTIC UNIVERSITY //European Journal of Pedagogical Initiatives and Educational Practices. – 2024. – Т. 2. – №. 4. – С. 8-14.
 25. Abdurakhimovna R. S. LEXICAL ATTRIBUTES OF SLANG //Web of Humanities: Journal of Social Science and Humanitarian Research. – 2024. – Т. 2. – №. 4. – С. 25-29.
 26. Abdurakhimovna R. S. The Concept and Important Importance of Intensity in Linguistics //Open Herald: Periodical of Methodical Research. – 2024. – Т. 2. – №. 4. – С. 16-21.
 27. Abdurakhimovna R. S. STUDY ON INTENSITY EXPRESSION MEASUREMENT AND QUALITY //Western European Journal of Historical Events and Social Science. – 2024. – Т. 2. – №. 4. – С. 16-22.
 28. Abdurakhimovna R. S. METHOD FOR MANAGING THE PROCESS OF MASTERING THE CONTENT OF TEACHING WRITING IN ENGLISH AS A SOCIAL PRACTICE. – 2024.
 29. Mirza o'g'li A. I. et al. IDIOMS AND THEIR FEATURES IN COMMUNICATION //Proceedings of International Conference on Scientific Research in Natural and Social Sciences. – 2024. – Т. 3. – №. 5. – С. 152-161.
 30. Mirza o'g'li A. I. et al. SYNTACTIC PROPERTIES OF INTERROGATIVE PRONOUNS IN ENGLISH //Proceedings of International Conference on Modern Science and Scientific Studies. – 2024. – Т. 3. – №. 5. – С. 1-7.
 31. Mirza o'g'li A. I., Alisher o'g'li F. A. THE SIGNIFICANCE OF RHETORIC WITHIN ARTISTIC COMPOSITIONS //Proceedings of International Conference on Educational Discoveries and Humanities. – 2024. – Т. 3. – №. 5. – С. 131-141.
 32. Mirza o'g'li A. I. CHARACTERISTICS OF TERMINOLOGICAL DICTIONARIES IN THE CONTEXT OF TRANSLATION //Proceedings of

- International Conference on Educational Discoveries and Humanities. – 2024. – Т. 3. – №. 5. – С. 120-130.
33. Mirza o'g'li A. I. et al. ANALYZING THE STYLISTIC ATTRIBUTES OF ENGLISH AND UZBEK LANGUAGES WITHIN NEWSPAPER TEXTS THROUGH LINGUISTIC EXAMINATION //Proceedings of International Conference on Scientific Research in Natural and Social Sciences. – 2024. – Т. 3. – №. 5. – С. 73-81.
34. Muzaffarovna Z. N. et al. THE GRAPHICAL AND ORTHOGRAPHIC CHARACTERISTICS OF ABBREVIATIONS IN NEWS ARTICLES //Proceedings of International Conference on Educational Discoveries and Humanities. – 2024. – Т. 3. – №. 5. – С. 99-109.
35. Rashid o'g'li R. B. et al. APPROACHES AND DISTINCTIONS IN RHETORICAL STRATEGIES BETWEEN GENDERS PORTRAYED IN AN ARTISTIC DEPICTION //Proceedings of International Conference on Scientific Research in Natural and Social Sciences. – 2024. – Т. 3. – №. 5. – С. 95-106.
36. Rustam o'g'li Z. A. et al. CHARACTERISTICS OF NEWS HEADLINES FROM A LINGUISTIC PERSPECTIVE //Proceedings of International Conference on Educational Discoveries and Humanities. – 2024. – Т. 3. – №. 5. – С. 89-98.
37. Nurulla o'g'li S. J. et al. THE DEGREE OF EXPRESSIVENESS CONVEYED THROUGH INTERROGATIVE SENTENCES IN A WORK OF PUBLICIST FICTION //Proceedings of International Conference on Scientific Research in Natural and Social Sciences. – 2024. – Т. 3. – №. 5. – С. 120-130.

LIVER AND ITS FUNCTIONS

Navruzova Ugilkhon Orzijon Kizi

Bukhara State Medical Institute named after Abu Ali Ibn Sina

Assistant of Pathological Physiology

Teshayeva Huriyat Muhiddin Kizi

Abu Ali Sino is the head of the Department of Nursing at the

Technical University of Health named after Afshona

Kabilova Shohida Hamidovna

Abu Ali Sino is the head of the Department of Nursing at the

Technical University of Health named after Afshona

Annotation . This article discusses the liver, one of the internal organs of living organisms. Liver is one of the most important organs in our body. There are separate places about the formation of liver immunity and paying special attention to it.

Key words : liver , hepatocytes , segment , filter , metabolism , hepatitis , fibrosis, cirrhosis , liver cancer .

The liver is the largest parenchymatous organ in the human body, it is composed of 300 billion liver cells (hepatocytes), these cells contain 2000 types of enzymes, they mediate all biochemical reactions in the body and participate in vital processes in the body. Therefore, the liver is called " it is called a complex chemical factory of the organism". organism in detoxification , substances exchange in management , o ' t work release and in separation big role play , blood coagulation manages immunity holding stands Liver sugar , protein , fat metabolism participation is enough Grass production and separation. Hepatocytes produce and secrete bile, which then passes through the bile duct to the site of concentration, the gallbladder. Every day, the liver produces 800-1000 mg of bile. The herb helps in the digestion of fats in the small intestine . Detoxification effect . Toxins and decomposition products formed in the metabolic process in the human body are separated and neutralized by the liver. These processes are by oxidation, reduction, or combination with inorganic molecules. These substances are excreted through the kidneys after detoxification. Liver disease causes malfunction of many systems in the body. For example, when the liver is damaged , the production of bile necessary for normal digestion is disrupted. This leads to loss of appetite, nausea, vomiting, etc. If liver cells are damaged, serum aminotrasferase increases and cholinolipase decreases, which leads to weakness, rapid fatigue, and drowsiness. Fatigue is observed when bile pigment metabolism is disturbed, lipid content in blood changes when sugar metabolism is disturbed. The liver is the largest parenchymatous organ in the body and consists of 300 billion liver cells. 2000 types of

enzymes are located in these cells, they mediate all biochemical reactions in the body and participate in life processes in the body. That is why the liver is called "a complex chemical factory of the body". Currently, with the successful development of liver surgery, the understanding of the segmental structure of the liver is widespread. A segment is a region of the liver with a clear, separate circulation, innervation, biliary and lymphatic channels. It helps to surgically remove such areas of the liver without damaging the adjacent segments. Segment is not only a spatial concept, it also reflects branching characteristics of the portal system. A large branch of the portal vein enters the segment along with a branch of the hepatic artery, and the bile duct and lymphatic vessels exit the segment. Since the branching of the portal vein is not constant, researchers give different numbers of liver segments. Currently, there are several schemes of segmentation of the liver corresponding to the areas of blood supply, bile and lymph drainage. But the most common is Kuino's scheme, according to which the liver is divided into 8 segments, which are different from each other. The liver lies in the abdomen, under the right ribs at the base of the diaphragm. The liver develops from the endodermal epithelium of the initial part of the midgut (epithelium). In the third week of fetal life, the liver bud appears in the form of a ridge on the ventral wall of the midgut, and it is called a liver bud. This relief is at first general, then it is divided into upper and lower reliefs. If the liver tube and liver gland tissue appear from the upper bulge, the gallbladder develops from the lower bulge. The liver metabolizes hemoglobin in the blood, chemicals, drugs, alcohol and other preparations. The liver stores nutrients in the blood for use when needed. Wengerovsky AI. Pharmacological approaches to the regulation of liver functions Glucose, iron, copper, vitamins and B 9 (in the synthesis of red blood cells) store B 12 vitamins. The liver synthesizes plasma proteins, and also produces liver hormones, fatty acids, bilirubin, and proteins. When necessary, hormones are also synthesized and released from the liver. The hormones produced include insulin-like growth factor, which promotes early growth and development. In conclusion, we can say that the liver is one of the most important organs of our body. It is in our hands to protect and ensure its safety.

List of used literature :

1. FN Bahadirov. "Human Anatomy", Tashkent. "Sharq", 2005. 33.
2. Vengerovsky AI Pharmacological approaches to regulation of liver functions, Tashkent. "Barkamol Avlod", 2002. 73.
3. FN Bahadirov. "Human Anatomy", Tashkent. "Sharq", 2005. 33.
4. Navruzova U.O., Negmatullayeva M.A. - 1-Тип Қандли Диабет Билан Касалланган Болаларда Кариес Касаллигини Ўрганиш, Даволаш Ва Профилактика Самардорлигини Ошириш //Barqarorlik Va Yetakchi Tadqiqotlar Onlayn Ilmiy Jurnali-2022 №1.С. 395-399.

5. Ibrokhimovich, A. I., & Kizi, J. M. M. (2023). 1-Type Kandli Diabetes Bilan Kasallangan Bolalarda Caries Kasalligini Organish, Davolash Va Prevention Samaradorligini Oshirish. *AMALIY VA TIBBIYOT FANLARI ILMIIY JURNALI*, 2 (4), 165–171. Retrieved from <https://sciencebox.uz/index.php/amalibbiyot/article/view/6735>
6. Ibrokhimovich, A. I., & Kizi, J. M. M. (2023). Improving the Effectiveness of Research, Treatment and Prevention of Caries in Children with Type 1 Diabetes. *Scholastic: Journal of Natural and Medical Education*, 2(4), 182-187
7. Kizi, N. U. O., Fazliddinova, E. G., & Najmiddinova, A. N. (2022). Coronavirus Complications, Post Illness Medicines and Vitamin Therapy. *Central Asian Journal of Medical and Natural Science*, 3(6), 551-556. <https://doi.org/10.17605/OSF.IO/HQ4YZ>
8. Наврўзова Ўғилхон Орзижонова, Файзиева Зарина Алпомишовна, Толибова Муниса Уйғуновна, ЎТКИР ЮРАК -ТОЖ ТОМИР ЁТИШМОВЧИЛИГИ КЛИНИК БЕЛГИЛАРИНИ ЎРТА ЁШЛИ БОЛАЛАРДА КЕЧИШИ, BARQARORLIK VA YETAKCHI TADQIQOTLAR ONLAYN ILMIIY JURNALI: Vol. 2 No. 9 (2022): БАРҚАРОРЛИК ВА ЕТАКЧИ ТАДҚИҚОТЛАР ОНЛАЙН ИЛМИЙ ЖУРНАЛИ
9. Akhmedov Ilkhom Ibrokhimovich, & Navruzova Ugilkhan Orzizjon Kizi. (2023). Or Pathogenesis of Periodontal Disease in I and II Levels of Obesity. *Central Asian Journal of Medical and Natural Science*, 4(6), 1007-1010. Retrieved from <https://cajmns.centralasianstudies.org/index.php/CAJMNS/article/view/2178>

KIDNEY STONE DISEASE: CAUSES, SYMPTOMS, AND TREATMENT METHODS

Navruzova Ugilkhon Orzijon Kizi

*Bukhara State Medical Institute named after
Abu Ali Ibn Sina Assistant of Pathological Physiology*

Jumaeva Adolat Buston kizi

*Afshona is a vocational science teacher at the technical school
of public health named after Abu Ali Ibn Sina*

Sitora Sadullaeva Jamolovna

*Afshona is a vocational science teacher at the technical school
of public health named after Abu Ali Ibn Sina*

Annotation: This article provides general information about kidney stone disease. It discusses the causes, symptoms, and treatment methods of the disease. The multifactorial problems of kidney stones are described with indicators, providing more information for treating the disease. It is directed towards individuals receiving medical care related to kidney stone disease.

Keywords: Nephrolithiasis, kidney stone growth, kidney stone injury, disease causes, disease symptoms.

Kidney stone disease, or nephrolithiasis, is one of the multifactorial problems in our lives. This condition is characterized by the formation of stones (concrements) in the kidneys and urinary tract and can be unilateral or bilateral. Kidney stone disease is more common among adults than children.

Causes of the Disease:

Kidney stone disease can occur due to various factors:

- Dehydration: Lack of water in the body (dehydration) leads to the formation of stones.
- Salty foods: A diet high in salty foods can contribute to the formation of kidney stones.
- Genetic factors: Hereditary predisposition also plays an important role.
- Metabolic disorders: Vitamin deficiencies, anemia, protein deficiency, gastrointestinal diseases, and hyperactivity of the parathyroid glands can also lead to the formation of kidney stones.

Symptoms of the Disease:

The symptoms of kidney stone disease can include:

- Severe pain: Intense colicky pain in the right or left side of the lower back, radiating to the genital area and the front of the thigh.

- Blood in the urine: The presence of blood in the urine (hematuria).
- Nausea and vomiting: These may accompany the pain.
- Children's symptoms: Children may become irritable and restless, point to their abdomen or navel, cry out in pain, and have leukocytes and erythrocytes in their urine.

Treatment Methods:

The treatment methods for kidney stone disease vary based on the size and location of the stones:

- Medications: Stones can be treated with medications that dissolve them.
- Diet: Diet plays an important role in the prevention and treatment of kidney stones.
- Lithotripter: Increasingly used method of breaking stones and expelling them through the urinary tract.
- Surgical methods: In cases where stones need to be surgically removed from the kidney.
- Ultrasound and X-ray: Used to detect stones via ultrasound (UTT) or X-ray examinations.

More information about kidney stone disease and its treatment methods can be obtained to help individuals receive the necessary medical care. Various indicators may exist for treatment methods. For some individuals, doctors recommend taking medications to reduce stone growth and achieve higher stability. This disease can shape our lives, but with scientific experience and proper treatment methods, these problems can be solved. Current programs provide treatment in various situations. People can also learn about preventive foods, hydration strategies, and communication with healthcare providers to prevent kidney stone disease. Learning about preventive treatments and gaining more information about the disease helps achieve success in its treatment. Kidney stone disease involves the growth of stones within the kidneys. This disease depends on many factors, such as dehydration, salty foods, genetic traits, and other variables. Symptoms of the disease include severe pain, hematuria, and acute neighboring conditions. Treatment methods involve timely medication therapy and dietary changes with safe, acute characteristics. In conclusion, this article provides an overview of kidney stone disease and its treatment methods. The number of people suffering from kidney stone disease has significantly increased in recent years. One of the main causes of stone formation is improper diet, including the excessive consumption of fatty and junk foods such as fast food or chips, as well as a sedentary lifestyle. These factors negatively affect not only internal organs but also a person's weight. The primary causes of kidney stones include changes in urine composition, influenced by the quality of consumed water, hereditary predisposition, kidney developmental defects, narrowing of the urinary tract, and hot climates, which typically result in more fluid intake and frequent sweating. Additionally, infections can enter the

kidneys or bladder. X-ray examination plays a leading role in detecting stones in the kidneys and urinary tract. The most common method is a plain urogram, which helps determine the size, shape, and approximate location of the stone. After examining the overall picture of the urinary tract, an excretory urogram should be performed to identify the anatomical and functional state of the kidneys, the type of cavity system, and the location of the stone. Another important method for diagnosing kidney stones is tomography, which helps distinguish kidney stones from gallstones and other shadows unrelated to the urinary system.

References:

1. В. Aminov, Т. Tilavov, О. Mavlonov. "Human and His Health." Tashkent, 2010.
2. Navruzova U.O., Negmatullayeva M.A. - 1-Тип Қандли Диабет Билан Касалланган Болаларда Кариес Касаллигини Ўрганиш, Даволаш Ва Профилактика Самарадорлигини Ошириш //Barqarorlik Va Yetakchi Tadqiqotlar Onlayn Ilmiy Jurnali-2022 №1.С. 395-399.
3. Ibrokhimovich, A. I., & Kizi, J. M. M. (2023). 1-Type Kandli Diabetes Bilan Kasallangan Bolalarda Caries Kasalligini Organish, Davolash Va Prevention Samaradorligini Oshirish. *AMALIY VA TIBBIYOT FANLARI ILMIIY JURNALI* , 2 (4), 165–171. Retrieved from <https://sciencebox.uz/index.php/amalibbiyot/article/view/6735>
4. Ibrokhimovich, A. I., & Kizi, J. M. M. (2023). Improving the Effectiveness of Research, Treatment and Prevention of Caries in Children with Type 1 Diabetes. *Scholastic: Journal of Natural and Medical Education*, 2(4), 182-187
5. Kizi, N. U. O., Fazliddinova, E. G., & Najmiddinova, A. N. (2022). Coronavirus Complications, Post Illness Medicines and Vitamin Therapy. *Central Asian Journal of Medical and Natural Science*, 3(6), 551-556. <https://doi.org/10.17605/OSF.IO/HQ4YZ>
6. Наврўзова Ўғилхон Орзижоновна, Файзиева Зарина Алпомишовна, Толибова Муниса Уйғуновна, ЎТКИР ЮРАК -ТОЖ ТОМИР ЁТИШМОВЧИЛИГИ КЛИНИК БЕЛГИЛАРИНИ ЎРТА ЁШЛИ БОЛАЛАРДА КЕЧИШИ , BARQARORLIK VA YETAKCHI TADQIQOTLAR ONLAYN ILMIIY JURNALI: Vol. 2 No. 9 (2022): БАРҚАРОРЛИК ВА ЕТАКЧИ ТАДҚИҚОТЛАР ОНЛАЙН ИЛМИЙ ЖУРНАЛИ
7. Akhmedov Ilkhom Ibrokhimovich, & Navruzova Ugilkhan Orzizjon Kizi. (2023). Or Pathogenesis of Periodontal Disease in I and II Levels of Obesity. *Central Asian Journal of Medical and Natural Science*, 4(6), 1007-1010. Retrieved from <https://cajmns.centralasianstudies.org/index.php/CAJMNS/article/view/2178>

INTERCULTURAL COMMUNICATION

Abduganiyeva Gulrukhsora Maqsudjon qizi
Faculty of World Languages Philology and language teaching
(English language)

ABSTRACT

Abstract Online Intercultural Communication (OIC), related to the development of the Internet, digital environments and new media technological advancement, reflects the complexity of cultural contacts in the contemporary world. Without time or space limits or of any borders, OIC is enhanced by the creation of multilingual and multimodal contents, accessible to Internet users. However, it is of great interest to investigate how a specific situation such as the COVID-19 pandemic, but also in which way this situation allows a thorough redefinition of OIC due to the complexity of the means and values engaged. COVID 19 led to both the creation and the revelation of multiple expressions of cultural contacts in a virtual, as well as a real environment.

Keywords: intercultural communicative competence, task category, transferable skills, virtual exchange.

Intercultural communication is the idea of knowing how to communicate in different parts of the world. Intercultural communication uses theories within groups of people to achieve a sense of cultural diversity. This is in the hopes of people being able to learn new things from different cultures. The theories used give people an enhanced perspective on when it is appropriate to act in situations without disrespecting the people within these cultures; it also enhances their perspective on achieving cultural diversity through the ideas of intercultural communication.

Many people in intercultural business communication argue that culture determines how individuals encode messages, what medium they choose for transmitting them, and the way messages are interpreted.^[1] With regard to intercultural communication proper, it studies situations where people from different cultural backgrounds *interact*. Aside from language, intercultural communication focuses on social attributes, thought patterns, and the cultures of different groups of people. It also involves understanding the different cultures, languages and customs of people from other countries.

Learning the tools to facilitate cross-cultural interaction is the subject of cultural agility, a term presently used to design a complex set of competencies required to allow an individual or an organization to perform successfully in cross-cultural situations.

Intercultural communication plays a role in social sciences such as anthropology, cultural studies, linguistics, psychology, and communication studies.

Intercultural communication is also referred to as the base for international businesses. Several cross-cultural service providers assist with the development of intercultural communication skills. Research is a major part of the development of intercultural communication skills. *Intercultural communication* is in a way the 'interaction with speakers of other languages on equal terms and respecting their identities'.

Identity and culture are also studied within the discipline of communication to analyze how globalization influences ways of thinking, beliefs, values, and identity within and between cultural environments. Intercultural communication scholars approach theory with a dynamic outlook and do not believe culture can be measured nor that cultures share universal attributes. Scholars acknowledge that culture and communication shift along with societal changes and theories should consider the constant shifting and nuances of society.

The intensive development of international economic relations and the expansion of cooperation between countries in various fields of economics and public life dictate the need to take into account the widest range of factors influencing the process of business interaction between representatives of different cultures engaged in international contacts. One of these factors can be identified as intercultural competence, which, in terms of its relevance, is on a par with such concepts as information culture, ritual culture, and human business culture. In Russia there is increased attention to a variety of problems of intercultural interactions between peoples. These are the following problems: the revival of religious traditions, rituals and customs, legal norms; ethnocultural conflicts, problems of cultural adaptation of migrants and emigrants. Managers of both large and medium-sized businesses face intercultural problems, as the process of globalization integrates the politics, economics and culture of different countries. In Russia, they speak more than a hundred languages and dialects, profess different religions, hold different political views, and occupy different socio-economic statuses. Intercultural communication as a modern scientific direction.

In Russia, a new discipline is taking its first steps. The Faculty of Foreign Languages at Moscow State University was one of the first in our country to study the problems of communication between cultures and peoples in connection with the teaching of foreign languages. So, a brief overview of the history of the emergence and development of the fairly young "Intercultural Communication" indicates the formation of its independent status and its isolation as a field of knowledge. However, this science is still in its infancy and does not have mature theoretical disciplines experience. Intercultural communication is a frequently used phrase today, the signification of which, unfortunately, is still ambivalent and does not have the desired definitional unambiguity. In different sources you can find a palette of related names for the term intercultural itself in accordance with the discipline considering it, the

preferences and goals of the authors of the publications. Intercultural communication as a scientific and applied discipline deals with the problems of understanding and mutual understanding: to understand someone else's (other), adequately communicate with someone else's, correctly interpret other cultural signs that are not one's own.

In terms of its genesis, subject relevance, as well as from the point of view of research tools, intercultural communication has an interdisciplinary status. It integrates the knowledge of a number of sciences, such as cultural anthropology, linguistics, pragmalinguistics, communication theory, ethnopsychology, sociology. Psychologists have found that the primary perception of a person is often the decisive factor for subsequent interaction with him. Communication with a stranger requires the use of a certain amount of knowledge to assess the possible results and consequences of contacts with him.

Here, one's own cultural norms are usually taken as criteria, on the basis of which one's appearance, internal qualities, and behavior are assessed. Each person seems to be able to objectively evaluate another person. This kind of representation is caused by the fact that the subject's perception of other people comes from his impressions and ideas about them. All information about other people enters through the senses in the form of sensations. The process of perception involves the reflection in the human mind of individual sensations about objects, situations and events in the external world, as a result of which sensory data is selected and organized in such a way that we can understand both obvious and hidden characteristics of the surrounding world.

When perceiving and assessing the world around us, a person is guided by his ideas about beauty, friendship, freedom, justice, etc. These perceptions depend on previous life experiences, personal interests, upbringing, socio-economic factors, etc. Due to the action of all these factors, the world opens up to a person in a variety of ways: from the most favorable for him to those that pose a threat to his existence. This means that a person's perception of reality is determined by cultural, social and personal characteristics. From a huge number of factors, scientists of this kind identify four main factors that mainly determine our perception of reality in the process of communication: the first impression factor, the superiority factor, the attractiveness factor and the attitude factor towards us. As you know, people perceive each other through the prism of existing stereotypes. When meeting representatives of other peoples and cultures, people usually have a natural tendency to perceive their behavior from the perspective of their culture.

The roots of the emergence of stereotypes lie in the objective conditions of people's lives, which are characterized by repeated repetition of monotonous life situations. This monotony is fixed in the human mind in the form of standard schemes

and thinking models. Stereotypes contain people's social experience and reflect what is common and repeated in their everyday practice.

They are formed during the joint activity of people by focusing human consciousness on certain properties, qualities of phenomena in the surrounding world that are well known, visible or understandable, at least to a large number of people. The psychological mechanism for the emergence of stereotypes is based on the principle of saving effort, characteristic of everyday human thinking. This principle means that people do not strive to react to the phenomena around them in a new way every time, but bring them under the categories they have

INTERCULTURAL COMMUNICATION AND CMC

The aim of the present paper is to call for social change since it argues that the Internet has been underused to further mutual understanding. Also, the Internet has failed to create a common ground among people and their cultures. People who interact online form their own sub-cultural group and have the potential to create a common ground of understanding and communication. Intercultural communication has been accelerated by new technology in the form of transportation and communication systems. Nevertheless, there is no clear explanation of how the Internet affects the way people communicate interculturally. In other words, there is a lack of clarity about the term online intercultural communication. In order to describe, however, the scope and nature of intercultural communication, we need first to characterize the nature of culture. Geertz (1973) defines culture as "... a historically transmitted pattern of meanings embodied in symbols, a system of inherited conceptions expressed in symbolic forms by means of which men communicate, perpetuate, and develop their knowledge about and attitudes toward life". Culture describes the people's way of life in personal and social levels. In many cases, people form their interaction based on their unique cultural beliefs and values. Culture is a broad term including each country's cultural characteristics, society's subcultural groups, and humans' learned behaviors. Intercultural communication studies, then, examine the nature of interaction among people who have different cultural backgrounds. Through analyzing people's intercultural interaction, communication scholars are able to understand how verbal and non-verbal messages are filtered via each person's cultural characteristics. In intercultural communication process, people's symbols and meanings become shared and standardized. The continual use of the cultural symbols and meanings are converted into the cultural environment, which people take for granted. The term computer-mediated communication (CMC) refers to any exchange of messages through electronic media involving the use of computers. CMC has the potential to facilitate knowledge across cultures and languages. The study of CMC conceives new information technologies not only as data channels and banks, but also as spaces for meeting and interacting with people. Consequently, online intercultural

communication refers to the mode of interaction among Internet users who come from different cultural backgrounds and communicate via the Internet. People use the Internet for various purposes, such as businesses, entertainment, research, communication, etc. The question, however, is whether the use of the Internet facilitates intercultural communication.

OIC: CONTEXTS AND CONTROVERSIES

Online intercultural communication during COVID-19 can be studied through different research perspectives such as the anthropologists' point of view. Manderson and Levin show how COVID-19 influenced all human activity and behavior. An unprecedented situation that concerns not only human perception and behavior in a global environment, but also closely connected to exceptional organized nation-states' actions to contain the viral spread. "Yet the institution of quarantine practices, lockdowns, and border controls, and the insistence on adherence to hygiene practices (handwashing) highlight how human practices and behaviors are implicated, and foreshadow a global humanitarian crisis as community transmission takes hold in global south communities". This approach demonstrates that what is defined as culture is the total of organized and non organized human habits and even though this is "happening in a new context of a new restraint away from blame". Human behavior is related to the real environment, and the pandemic threat requires an organized political intervention, closely connected to network. Official policies constitute a cornerstone of intercultural communication. One can refer to institutions, such as European Commission, UNESCO that promote intercultural communication in different ways (research programs cultural activities and events...). Nevertheless, lack of official EU policy concerning online intercultural communication activities is evident, since EU focuses on existing programs which promote intercultural communication in cities or societies e.g. Intercultural Cities Program.

SUMMARY

In conclusion, I would like to note that intercultural communication, despite the ambivalence of the term itself, is one of the rapidly developing areas of humanitarian knowledge in recent times. Today, when the Earth is turning into a "global village", which inevitably entails more intense exchange between different cultures, the development of theoretical and practical problems of intercultural communication seems to be a strategic necessity.

OIC, related to Internet expansion, digital environment and new media technological advancement, reflects the complexity of cultural contacts in the contemporary world. Thus, the study of OIC must not neglect the plurality of means and contents that emerge. The ongoing COVID-19 pandemic makes evident the specificities of OIC, interacted with a broader socio-political and cultural context. In

the real world and in the virtual world of Internet, the coronavirus pandemic led to both the creation and the revelation of multiple expressions of intercultural contacts.

REFERENCES

1. Kumi-Yeboah, A 2018, 'Designing a cross-cultural collaborative online learning framework for online instructors', *Online Learning*, vol. 22, no 4, pp. 181-201.
2. Shuter, R 2012, 'Intercultural new media studies: The next frontier in intercultural communication', *Journal of Intercultural Communication Research*, vol. 41, no 3, pp. 219-237.
3. Marcoccia, M 2012, 'The internet, intercultural communication and cultural variation. *Language and Intercultural Communication*', vol. 12, no 4, pp. 353-368.
4. Clement, J 2020, Global mobile data traffic from 2017 to 2022, *Statistics*, viewed 25 July 2020, .
5. Piller, I 2017, *Intercultural communication: A critical introduction*. Edinburgh University Press.
6. Sangiamchit, C 2017 'English as a lingua franca for online intercultural communication among Thai international students in the UK', PhD thesis, University of Southampton.
7. Internet world users by language 2020, *Internet World Stats*, viewed 25 July 2020, . no 5,
8. Manderson, L and Levine S 2020, 'COVID-19, risk, fear, and fall-out', *Medical Anthropology*, vol. 39, pp. 367-370, viewed 25 . July 2020,
9. European Commission 2020, *Coronavirus: how it affects the creative Europe programme*, viewed 25 July 2020, .
10. UNESCO 2020, *COVID-19 response*, viewed 25 July 2020, .
11. European Union 2020, *The common EU response to COVID-19*, viewed 25 July 2020, .

IJTIMOIY FANLARNI O' QITISHDA YANGI PEDAGOGIK TEXNOLOGIYALARNING O'RNI

Farg'ona shahar kasb- hunar maktabi

Davlat va huquq fani o' qituvchisi Ergasheva Namunaxon Umarovna

Tarix fani o'qituvchisi Sayitxonova Barchinoy Ahatovna

Tarbiya fani o'qituvchisi Eraliyeva Shirmonoy Nuraliyevna

Anotatsiya: Innovatsiya va texnologiyalar ta'limni etkazib berish va iste'mol qilish usulini sezilarli darajada o'zgartirdi. Ushbu maqolada ta'limni rivojlantirishda innovatsion texnologiyalarning o'rni va ahamiyati muhokama qilinadi. Bu o'qituvchilarning o'quv tajribasini oshirish uchun texnologiyadan foydalanishning turli usullarini ta'kidlaydi. Maqolada texnologiyaning ta'limga ta'sirini o'rgangan so'nggi tadqiqotlar natijalari ham keltirilgan. Maqolaning munozara qismida ta'limdagi texnologiyaning afzalliklari va kamchiliklari tanqidiy tahlil qilinadi va o'qituvchilar uchun ba'zi tavsiyalar bilan yakunlanadi.

Kalit so'zlar: Innovatsiya, texnologiya, ta'lim, o'quv tajribasi, usullari, ta'siri, afzalliklari, kamchiliklari, tavsiyalari.

Ta'lim inson taraqqiyotining muhim tarkibiy qismi bo'lib, u shaxslar va jamiyatlarning kelajagini shakllantirishda hal qiluvchi rol o'ynaydi. So'nggi yillarda, asosan, innovatsion texnologiyalar tufayli ta'limni etkazib berish va iste'mol qilishda sezilarli o'zgarishlar yuz berdi. Ushbu texnologiyalar an'anaviy sinfga asoslangan ta'lim modelini o'zgartirdi va talabalarga o'rganishning yangi va qiziqarli usullarini taqdim etdi. Ushbu maqolada biz ta'limni rivojlantirishda innovatsion texnologiyalarning o'rni va ahamiyatini o'rganamiz.

Ijtimoiy-gumanitar fanlarga ehtiyojning ortishini Prezidentimiz Shavkat Mirziyoyevning quyidagi fikridan yaqqol anglashimiz mumkin: "Bizda uzoq yillar davomida ijtimoiy fanlarga nisbatan birtomonlama texnokratik yondoshuv, bu boradagi masalalarga ajabtovur bir "o'gay" qarash shakllanib qolgan. Ayni paytda, afsus bilan qayd etish mumkinki, haligacha uzluksiz ta'lim bosqichlarida, ayniqsa oliy ta'limda ijtimoiy fanlarni qancha hajmda va qanday yo'nalishlarda, qay bir shaklda va qanday mazmunda o'qitish va o'rgatish bo'yicha yaxlit kontsepsiya yo'q". O'zbekiston Prezidenti Shavkat Mirziyoyev tomonidan 2024 yilni "Yoshlar va biznesni qollab-quvvatlash", deb nomlanishi ham bejiz emas, albatta. Aslida ham inson bu yorug' olamning eng oliy mavjudoti, eng oliy qadriyat ekanligi barcha dindarda ham, fanlarda ham bot-bot takrorlanib keladi. Biroq unga amal qilish masalasida bugun olimlar ham, odamlar ham ojizdek. Inson qadri nimada namoyon bo'ladi?, Inson qachon qadri mavjudot sifatida e'tirof etiladi? Inson qadri avvalo uning ongli mavjudot ekanligi, ilm-

tafakkuri, imon-e'tiqodi, go'allikni yarata olishi, ezgulik urug'ini sochishi, mehr-oqibatni namoyon eta olishi, qalblarni ka'ba deb bilishi kabilar bilan qadrlidir. Agar masalaga yanada jiddiyroq yondoshadigan bo'lsak, insonni qadrlaydigan sifat va fazilatlar qanday shakllantiriladi, ularni kim va qachon, qanday usullarda o'rgatadi? Bularning javobini biz bevosita ilm-fan, ta'lim tarbiyadan topamiz. Aynan insonning ma'naviy kamolini, insoniy qadr-qimmatini shakllantiradigan fanlar bu - ijtimoiy-gumanitar fanlardir. Ijtimoiy-gumanitar fanlarni o'qitishda yuzaga kelayotgan muammolar inson qadrini yo'qolishiga, jamiyatdagi beqarorliklarni yuzaga kelishiga, insonlardagi loqaydlik, sovuqqonlik, mas'uliyatsizlik kayfiyatini yuzaga kelishiga sabab bo'lmoqda.

Ushbu maqolaning usullar bo'limi o'qituvchilarning o'quv tajribasini oshirish uchun texnologiyadan foydalanishning turli usullariga qaratilgan. Texnologiya o'qituvchilarga interaktiv va qiziqarli o'quv muhitini yaratish uchun ishlatilishi mumkin bo'lgan keng vositalarni taqdim etdi. Masalan, virtual va kengaytirilgan haqiqat texnologiyalaridan Real hayot stsenariylarini simulyatsiya qilish va o'quvchilarga amaliy o'rganish tajribalarini taqdim etish uchun foydalanish mumkin. Xuddi shunday, onlayn ta'lim platformalari va mobil ilovalardan talabalarga ta'lim mazmunini istalgan vaqtda va istalgan joyda yetkazib berish uchun foydalanish mumkin.

Ta'limdagi innovatsion faoliyat ta'lim sohasidagi innovatsiyalarning paydo bo'lishiga qaratilgan kompleks faoliyatni o'z ichiga oladi. Bu innovatsiyalar ta'lim jarayonini tashkil etishning usul va usullari, ta'lim va tarbiya jarayonida foydalaniladigan resurslar, ilmiy nazariyalar va tushunchalar bo'lishi mumkin. Innovatsiyalar yangi ilmiy bilimlarni, qandaydir kashfiyotlar, ixtirolarni olishga qaratilgan tadqiqot faoliyatidan foydalanish orqali rivojlanadi. Bundan tashqari, innovatsiyalarning paydo bo'lishi loyihalash ishlarining natijasi bo'lishi mumkin, bunda mavjud ilmiy nazariyalar va tushunchalar asosida amaliy harakatlarni amalga oshirish imkoniyatlarini aks ettiruvchi instrumental va texnologik bilimlar ishlab chiqiladi. Shunday qilib, innovatsion loyihalar yaratiladi, bu esa keyinchalik yangi texnologiyalarning paydo bo'lishiga olib keladi. Innovatsiyalar ta'lim faoliyati jarayonida ham rivojlanadi.

Buning uchun o'quv mashg'ulotlarida innovatsion texnologiyalardan foydalanish mahorati, ijodkorligini oshirish, o'quv fanlarini integratsiyalash turlari, yo'nalishlari, tiplari, funksiyalari hamda kelgusida rivojlantirish istiqbollari belgilash, ijtimoiy fanlarini o'qitishda o'quv axborotini qayta ishlash, muammoli savol, keys-stadi topshiriqlarini ishlab chiqish, ushbu fanlarni o'qitishda o'quvchilar mustaqil ta'limini tashkil etish, mazkur fanlardan masalalar yechish metodikasini takomillashtirish, bu fanlarni o'qitishda o'quvchilarning bilimlarini ob'ektiv baholash mexanizmlarini takomillashtirish, standart va nostandart o'quv va test topshiriqlari majmuasini ishlab

chiqish, didaktik ta'minotini yaratish, bu fanlardan darsliklar va o'quv-metodik qo'llanmalar, elektron darsliklar, portfolio, o'quv kursining elektron - ta'lim resurslarini va sillabusini yaratish kabi vazifalarni amalga oshirish lozim.

Bu vazifalarni hal etishda:

- o'qituvchilarni informatika fanlarini ijodiy o'qitish va o'zlarining amaliy faoliyatlarida yangi pedagogik va axborot texnologiyalarini qo'llash bo'yicha bilim, ko'nikma va malakalari bilan qurollantirish;

- ijtimoiy fanlari o'qituvchilarini informatika sohasi bo'yicha turli shakldagi sinf va sinfdan tashqari ishlarni tashkil etish hamda o'tkazishga tayyorlash;

- ularni ta'lim-tarbiya tizimini axborotlashtirishning zamonaviy yo'llari va ulkan istiqbollari haqida tassavvurlarini rivojlantirish xamda chuqurlashtirish;

- oliy ta'limda informatika fanlarini o'qitish metodikasiiga doir bilimlarini takomillashtirish, zamonaviy yondashuvlarni o'zlashtirish, joriy etish, ta'lim amaliyotida qo'llash va yaratish ko'nikma va malakalarini tarkib toptirish lozim.

Darsga bo'lgan o'qituvchining puxta tayyorgarligi ta'limning samarasini ta'minlaydi, shuning uchun darsga kirishdan oldin o'qituvchi ham psixologik, ham fani bo'yicha puxta tayyorgarlik ko'rishi, ya'ni o'qituvchining kasbiy bilimdonligi va qobiliyati mezonlarini rivojlantirish lozim.

Ijtimoiy bilimdonligi:

- dars mobaynida sinf bilan samarali o'zaro muomala shaklini tashkil etishi;

- o'quvchilar bilan til topishi;

- sog'lom ma'naviy muhitini yaratish.

Uslubiy bilimdonligi:

- barcha bilimlarini, ko'rgan-kechirganlarni talabalarga tushunarli, ravon tilda yetkazishi;

- ta'lim texnologiyasi va metodlaridan samarali foydalanishi.

Ixtisoslik bilimdonligi:

- o'z fani va predmeti sohasi bo'yicha chuqur va har tomonlama mukammal bilimlarga egaligi;

- o'z ustida ishlashi;

- ilmga, yangiliklarga bo'lgan qiziqishi;

- zamonaviy AKTlari yangiliklaridan boxabarligi;

- uning ehtiyojlar tizimini, o'qituvchiga bo'lgan talab-takliflarini aniq bilib til topisha olishi.

Darsni ijodiy tashkil etish, vaqtdan unumli foydalanish, mashg'ulotlarni o'z vaqtida o'tkazish o'quvchilardalarda jamoa bo'lib ishlay olish ko'nikmalarini shakllantirish, o'zaro yordam va o'quvchilarlar o'rtasida hamkorlik o'rnatish yo'llari bilan mashg'ulotlar jamoa mehnati jarayoniga aylantiriladi. Dars ta'limning boshqa shakllaridan o'zining ichki va tashqi xususiyatlariga ko'ra farq qiladi. Muayyan yoshdagi va ma'lum tayyorgarlikka ega bo'lgan o'quvchilarlar guruhi, rejim, dars tartibi, mashg'ulotlarni ma'lum xonada o'tkazish kabilar darsning tashqi xususiyatlari, darsning maqsadi, ta'lim mazmunini his qilish, qiziqish, anglash, tushunish uning ichki xususiyatlari sanaladi. Dars ana shu ikki xil tashqi va ichki xususiyatlarning o'zaro uyg'unlashuvi asosida tashkil etiladi. Darsga quyiladigan talablar kiradi:

- har bir darsning maqsadini aniq belgilash;
- darslarning optimal mazmunini, o'rganiladigan bilimlar ko'lami, shakllantiriladigan ko'nikma va malakalarni oldindan aniqlab qo'yish;
- darsni tashkil etishga oid ta'lim metodlarini, vositalarini tanlash, talabalar bilish faolligini rag'batlantirish, o'quv topshiriqlari, mustaqil ishlarni ta'limga tatbiq etish.

Yuqoridagi masalalardan hech biri boshqalaridan ajratilgan holda, alohida hal etilmasligi lozim. Ular bir butunlikda bir-biri bilan chambarchas bog'lik holda amalga oshirilishi lozim. O'quvchilarlar ijyimoiy fanlar asoslarini mustahkam egallashlari asosidagina ularning tafakkurini tarbiyalash va ilmiy dunyoqarashni yaratish mumkin.

Faqatgina to'g'ri va chuqur xulosalar qila olsagina, o'quvchilalar har bir masalani yechishga tanqidiy va ijodiy yondasha oladilar, yangi muammolar oldida o'zlarini yo'qotib qo'ymaydilar va turli shart-sharoitlarda samarali faoliyat ko'rsata oladilar. Shuningdek, amaliy ish o'quvchilarning dunyoqarashini kengaytiradi va uni yangi faktlar bilan boyitishadi hamda ijtimoiy fanlardan bilim darajalarini oshiradi, chuqur va mustahkam bo'lishini ta'minlaydi.

Foydalanilgan adabiyotlar:

1. Yuldashev U.Y., Mamarajabov M.E. Informatikaning dolzarb muammolari. Ma'ruza matnlari. -T.: TDPU. 2003. -83 b.
2. Абдалова, С. Р. (2021). ТАЪЛИМ ОЛУВЧИЛАРНИНГ МУСТАҚИЛ ФИКРЛАШИНИ РИВОЖЛАНТИРИШДА ПЕДАГОГИК МАЪСАД ВА ВАЗИФАЛАРНИ АНЦЛАШНИНГ МОХДЯТИ. ACADEMIC RESEARCH IN EDUCATIONAL SCIENCES, 2(2), 617-623.

3. Abdalova S. R. THE IMPORTANCE OF DEFINING PEDAGOGICAL GOALS AND OBJECTIVES IN THE DEVELOPMENT OF INDEPENDENT THINKING OF STUDENTS // Academic research in educational sciences. - 2021. -Т. 2. - №. 2.
4. Мавлянов, А., Ачилов, Г. Б., Абдалова, С. Р. (2021). СОДЕРЖАНИЕ УЧЕБНОЙ ПРАКТИКИ И ТРЕБОВАНИЯ К НИМ. Экономика и социум, 5(2), 996-1003.
5. Абдалова, С. Р. (2021). Таълим сифатини оширишда уқитиш технологияларининг урни ва роли. Science and Education, 2 (Special Issue 1), 218-228.
6. Мавлянов, А., Абдалова, С. Р. (2021). ОСОБЕННОСТИ ОРГАНИЗАЦИИ УЧЕБНОГО ПРОЦЕССА. 65-я МЕЖДУНАРОДНАЯ НАУЧНАЯ КОНФЕРЕНЦИЯ АСТРАХАНСКОГО ГОСУДАРСТВЕННОГО ТЕХНИЧЕСКОГО УНИВЕРСИТЕТА, 990-992.
7. Аллахвердиева, Х. В., Абдалова, С. Р., Кахраманов, Н. Т. (2020). Свойства металлополимерных систем на основе полиэтилена низкой плотности и меди. Молодежь в науке-2020, 483-485.

“PEDAGOGIK TEXNOLOGIYANING TA’LIM JARAYONIDAGI ROLI”

Farg'ona shahar kasb- hunar maktabi

*Davlat va huquq fani o' qituvchisi **Namunaxon Umarovna Ergasheva***

*Ona tili va adabiyoti fani o'qituvchisi **Ismoilova Madina Rashid qizi***

*Tarbiya fani o' qituvchisi **Eraliyeva Shirmonoy Nuraliyevna***

Annotatsiya: O‘qitish texnologiyasining maqsadi faqat bilim berishgina emas, balki aniq maqsad va natijalarga yo‘naltirilgandir. Yana bir asosiy xususiyati mavjudki, pedagogik texnologiya qo‘llanilganda turli xil yondashuv, turli xil vosita va usullardan foydalanilsa ham, bir xil natija olish mumkin. Bu texnologiya qo‘llanilganda o‘qituvchining ma‘naviy intellektual ta’siri ostida har bir o‘quvchining o‘z imkoniyatlarini to‘la ishga sola olishlari ta‘minlanishi lozim.

Kalit so‘zlar: innovatsiya, samaradorlik, texnologiya, sifat, resurs, usul, vosita, ijtimoiy, iqtisodiy, pedagogik, psixologik, falsafiy, jarayon, milliy, demografik.

Xozirgi zamon talabi ta‘lim tizimi va jarayonida pedagogik texnologiyalarni qo‘llash dolzarb masalalardan biriligi xammamizga ma‘lum. Ta‘lim jarayonining sifati unda qo‘llaniladigan pedagogik va innovasion texnologiyalarning dars hamda mavzuga hamohang qo‘llanilishiga bog‘liq. Ta‘lim bilan texnologiya chambarchas bog‘liqdir.

Texnologiya grekcha “tecne”-san‘at va mahorat, “logos”-ta‘limot ma‘nosini anglatib, u butun o‘qitish va bilimlarni o‘zlashtirish jarayonida o‘z oldiga ta‘lim shakllarini samaradorlashtirish vazifasini qo‘yuvchi texnik hamda shaxs resurslari va ularning o‘zaro aloqasini hisobga olib bilimlar yaratish, qo‘llash va belgilashning tizimli uslubidir. O‘qitish texnologiyasining maqsadi faqat bilim berishgina emas, balki aniq maqsad va natijalarga yo‘naltirilgandir. Uning yana bir asosiy xususiyati mavjudki, pedagogik texnologiya qo‘llanilganda turli pedagoglar turli xil yondoshadi, turli xil vosita va usullardan foydalanilsa ham, bir xil natija olish mumkin. Xar qanday pedagogik texnologiya zamirida ilmiy asos, ya‘ni ijtimoiy, iqtisodiy, pedagogik, psixologik va falsafiy zamini bo‘lishi kerak. Bu texnologiya qo‘llanilganda o‘qituvchining ma‘naviy intellektual ta’siri ostida har bir o‘quvchining o‘z imkoniyatlarini to‘la ishga sola olishlari ta‘minlanishi lozim. Oliy o‘quv yurtlaridagi ma‘naviy va ahloqiy muhit pedagog va o‘quvchi shaxsining teng qo‘llanilishiga imkon yaratishi kerak. Shaxsni bu xildagi ijtimoiylashtirishda farqli ravishda, milliy, tabiiy, demografik va ruhiy-fiziologik asoslarga, o‘quvchilarning individual husussuyatlariga e‘tibor beriladi.

Pedagogik texnologiyalar samarali ta‘siri, dars sifatining yanada oshishi uchun moddiy texnik ta‘minoti yuqori darajadabo‘lishini, ta‘limning mazmunini o‘rgatish

usuli o'qituchi shaxsi bilan o'zaro bog'liq bo'lishi kerak. Moddiy-texnik bazasi, ya'ni avditoriyalar, kutubxona, sport zali, ustaxonalardan tashqari zamonaviy pedagogik, psixologik, didaktik va falsafiy adabiyotlar, ilmiy-ommabop jurnallar, gazetalar, badiiy adabiyotlardan foydalanish uchun boy fondga ega kutubxona bo'lishi kerak. Avditoriyalar eng yuqoti texnologiyalar bilan ta'minlanishi muhimdir. Demak, ta'limning har bir bosqichida zamonaviy innovatsion texnologiyalarni ijtimoiy-siyosiy va iqtisodiy sharoitlarda jamiyat munosabatlarni isloh qilish, ya'ni demokratlashtirish, fuqarolik jamiyatini barpo etish, ta'limni insonparvarlashtirishga samarali ta'sir ko'rsatadigan ilmiy-intelektual asosga ega bo'lgandagina qo'llash ijobiy samara beradi. Qo'llaniladigan texnologiyalar pedagog va o'quvchi hayotiga engillik olib kelishi, o'quvchining har bir fanni ihtiyoriy ravishda hohlab, qiziqib o'qishga imkon berishi, bu asosida yangi innovatsion g'oyalarni yaratishi va jamiyat taraqqiyotiga hamda rivojlanishga asosiy tamoyil bo'lish imkonini beradi.

Ta'lim jarayonida yangi innovatsion texnologiyalarni muvoffaqiyati yahlid ta'limiy jarayonni oldindan loyihalashga bog'liq. Shuningdek, ta'lim oluvchilar tomonidan o'zlashtiriladigan nazariy va amaliy bilimlar, ko'nikmlar va malakalar darajasini oldindan aniqlab olish muhimdir. Ta'limdan ko'zlangan maqsadga, natijaga qanchalik darajada etishish lozimligini bashorat qilaolishga ham bog'liqdir.

Ta'lim jarayonida innovatsion texnologiya fan mavzulari bo'yicha oldindan loyihalaniishi va uni o'qitish tekisligiga ko'chirilsa yakuniy natijani, yana o'quvchi o'quv materialning kamida 60-70 % ni o'zlashtirishini kafolatlashi kerak. Shu bilan bir qatorda har qanday pedagogik texnologiya asosini imliy jihatdan qo'yilgan didaktik jarayon tashkil etadi. Buning uchun pedagog o'z ustida ishlamo'g'i, ta'lim sifat va samaradorligini oshirishning yangi innovatsion usullari bilan tanish bo'lmog'i, yangi yangi texnologiyalarni shakllantirmog'i hamda amaliyotda qo'llamo'g'i lozimdir. O'quv jarayoning asosiy qismi o'quvchilarning o'z-o'zini boshqarish jarayoniga sarf bo'lishi kerak. O'quvchilar bu bosqichda qo'shimcha axborotlar manbaiga murojot qiladilar. Bu manba o'qituvchi tomonidan yaratilib, uning tarkibiga darslik, qo'llanma, ishlanma, ma'ruzalar matni, monografiya, jurnal, gazeta maqolalari, o'qitishning texnik vositalaridan iborat bo'lib, ular oraqali talaba o'z ustida ishlaydi. Bunda vaqt sarfining o'qituvchi mavzuning xususiyatlariga va murakkabligiga qarab taqsimlaydi.

Pedagogik texnologiyalar – pedagogik texnologiyalar masalalarining muammolarini o'rganayotgan o'qituvchilar, ilmiy – tadqiqotchilar, amaliyotchilarning fikricha – bu faqat axborot texnologiyasi bilan bog'liq, hamda o'qitish jarayonida qo'llanishi zarur bo'lgan TSO – O'TV (ta'lim samaradorligini oshirish), (o'qituvchining texnologik vositalari), kompyuter, masofali o'qitish, yoki turli xil texnikalardan foydalanish deb belgilanadi. Pedagogik texnologiyaning eng asosiy

negizi - bu o'qituvchi va talabning belgilangan maqsaddan kafolatlangan natijada hamkorlikda erishishlari uchun tanlangan texnologiyalariga bog'liq deb hisoblaymiz, ya'ni o'qitish jarayonida, maqsad bo'yicha kafolatlangan natijaga erishishda qo'llaniladigan har bir ta'lim texnologiyasi o'qituvchi va talaba o'rtasida hamkorlik faoliyatini tashkil eta olsa, har ikkalasi ijobiy natijaga erisha olsa, o'quv jarayonida talabalar mustaqil fikrlay olsalar, ijodiy ishlay olsalar, izlansalar, tahlil eta olsalar, o'zlari hulosa qila olsalar, o'zlariga, guruhga, guruh, va ularga baho bera olsa, o'qituvchi esa ularning bunday faoliyatlari uchun imkoniyat va sharoit yarata olsa, ana shu, o'qitish jarayonining asosi hisoblanadi.

Bundan tashqari o'qitish jarayonini oldindan loyihalashtirish zarur, bu jarayonda o'qituvchi o'quv predmetining o'ziga xos tomonini, joy va sharoitini, o'quvchining imkoniyati va ehtiyojini hamda hamkorlikdagi faoliyatini tashkil eta olishini hisobga olishi kerak, shundagina, kerakli kafolatlangan natijaga erishish mumkin. Qisqa qilib aytganda, talabani ta'limning markaziga olib chiqish kerak. O'qituvchi tomonidan har bir darsni yaxlit holatda ko'ra bilish va uni tasavvur etish uchun bo'lajak dars jarayonini loyihalashtirib olish kerak. Bunda o'qituvchiga u tomonidan bo'lajak darsni texnologik haritasini har bir mavzu, har bir dars uchun o'qitilayotgan predmet, fanning xususiyatidan, talabalarning imkoniyati va ehtiyojidan kelib chiqqan holda tuzishi zarur bo'ladi. Bunday texnologik haritani tuzish oson emas, chunki buning uchun o'qituvchi pedagogika, psixologiya, xususiy metodika, pedagogik va axborot texnologiyalardan xabardor bo'lishi, shuningdek, juda ko'p metodlar, usullarini bilish kerak bo'ladi. Har bir darsni rang-barang, qiziqarli bo'lishi avvaldan puxta o'ylab tuzilgan darsning loyihalashtirilgan texnologik haritasiga bog'liqdir.

Darsning texnologik haritasini qay ko'rinishda yoki shaklda tuzish bu o'qituvchining tajribasi, qo'ygan maqsadi va ixtiyoriga bog'liq. Texnologik harita qanday tuzilgan bo'lmasin, unda dars jarayoni yaxlit holda aks etgan bo'lishi hamda aniq belgilangan maqsad, vazifa va kafolatlangan natija, dars jarayonini tashkil etishning texnologiyasi to'liq o'z ifodasini topgan bo'lishi kerak. Texnologik haritani tuzilishi o'qituvchidan darsni kengaytirilgan konspektini yozishdan xalos etadi, chunki bunday haritada dars jarayonining barcha qirralari o'z aksini topgan bo'ladi.

Foydalanilgan adabiyotlar:

1. Хуммаматова, К. (2020). Педагогика олий ўқув юртларида кредит ўқитиш тизимини ташкил этиш. Архив Научных Публикаций ЖСПИ. "Ilm-fan muammolari yosh tadqiqotchilar talqinida" mavzusidagi 6-sonli respublika ilmiy konferensiyasi
2. Conversations about a foreign language lesson: a guide for pedagogical students. intov / E.I. Passov [i dr.]. - L. : Education, 2015.

3. Bim, I.L. To the question of teaching methods for foreign languages / I.L. Bim // ИYaSh. –2014. - No. 2.
4. Introduction to the communicative method of teaching English: a guide for Russian teachers. - Oxford: Oxford University Press, 2018.
5. Yuldasheva, G., & Shermatova, H. (2022). Ta'limda innovatsion texnologiyalarning qo'llanilish istiqbollari. Science and innovation, 1(B8),
6. Yuldasheva, G. I. (2021). Axborot texnologiyalari-ta'lim sifati kafolatidir. Электронное научно-практическое периодическое издание «Экономика и социум.

PEDAGOGIKA SOHASIDA ILG'OR TEXNOLOGIYALARNING O'RNI VA AHAMIYATI

Farg'ona shahar kasb- hunar maktabi

*Davlat va huquq fani o' qituvchisi **Namunaxon Umarovna Ergasheva***

*Ona tili fani o' qituvchisi **Ashurova Oftobxon Xoshimovna***

*Ona tili fani o' qituvchisi **Saminova Munira Hasanboy qizi***

Annotatsiya: Ushbu maqolada pedagogika fanini rivojlantirishda zamonaviy pedagogik texnologiyalarning o'rni yoritilgan. Shuningdek, pedagogik texnologiya asosida mashg'ulot o'tish, dars jarayonida zamonaviy texnik vositalar, kompyuterlar, videokompyuterli multimediya komplekslarini qo'llash orqali o'tish kerakligi asoslangan. Pedagogik texnologiya tushunchasi ilmiy maqolalar, davriy nashrlar, anjumanlardagi mavzu va hisobotlarda ham o'z aksini topmoqda va bu fan bilan bilan shug'ullanadigan olimlarning ilmiy ishlari ham yoritilgan. Qolaversa, pedagogika fanini rivojlantirishda zamonaviy pedagogik texnologiyalarning o'rnini oshirish bo'yicha xulosa va takliflar ishlab chiqilgan.

Kalit so'zlar: pedagogika fani, zamonaviy pedagogik texnologiyalar, ta'lim tamoyillari, metodik ishlanmalar.

Ma'lumki, har qanday texnologiya ta'limning yangi mazmunini shakllantiruvchi ta'lim tamoyillariga asoslanadi va ta'lim oluvchi shaxsini tarbiyalash, unda mehnat va muayyan yo'nalishlarda kasbiy ko'nikmalarni hosil qilishga yo'naltiriladi. Ta'lim jarayonining faol sub'ektlari o'qituvchi va o'quvchilar bo'lib, ularning hamkorlikdagi faoliyatlari muayyan mavzu (yoki fanlar asoslari) bo'yicha kam kuch va vaqt sarflangan holda nazariy va amaliy bilimlarni chuqur o'zlashtirish imkonini yaratadi. O'qituvchining faol, samarali faoliyat ko'rsatishiga yo'naltirilgan ta'lim jarayonining metodik ishlanmasidan farqli ravishda, ta'lim jarayonini faollashtirish va jadallashtirishga yo'naltirilgan pedagogik texnologiyalari ta'lim oluvchilarga qaratiladi, shuningdek, ularning shaxsiy va o'qituvchi bilan birgalikdagi faoliyatini hisobga olgan holda o'quv materialini o'zlashtirishga sharoit yaratish bilan bir qatorda, ta'lim tarbiyasi butun mashg'ulot davomida o'quvchilarning faolligi va qiziquvchanligini muntazam ravishda rivojlantirib borish maqsadini ko'zda tutadi, o'quv omillarini yaratishga asoslangan pedagogik texnologiya talablarini o'quv yoki ishlab chiqarish faoliyatiga tezkor jalb qilish imkonini beradi. Aks holda, zaif, yetarli darajada tushunarli bo'lmagan yoki aniq natijani ko'zlanmagan topshiriqlar mashg'ulotning samarasiz yakunlanishiga olib kelishi mumkin.

O'zbekiston Respublikasi kadrlar tayyorlash milliy dasturining "Uzluksiz ta'lim tizimi va turlari" bo'limida ikki bosqichli oliy ta'limni tashkil etish va rivojlantirish

uchun amalga oshirish zarur bo'lgan tadbirlar qatorida "yangi pedagogik va axborot texnologiyadan foydalangan holda o'qituvchilarni o'qitishni jadallashtirish; o'qitishni mustaqil bilim olishni individuallashtirish hamda distantsion ta'lim tizimi texnologiyasi va vosilalarini ishlab chiqish va o'zlashtirish" haqida so'z yuritilgan. Ushbu tadbirlarni amalga oshirish o'qitishni takomillashtirish, ya'ni o'quv jarayoniga pedagogik texnologiyalarni keng tatbiq qilish, kompyuterli avtomatlashtirilgan o'qitish tizimini qo'llash, ta'limda yangi texnikaviy va didaktik vositalar hamda multimediyaga imkoniyatlaridan foydalanish, masofadan o'qitish ta'limini joriy qilish kabi o'qitishning zamonaviy texnologiyalarini qo'llash orqali bajariladi. Rivojlangan mamlakatlarda yangi pedagogik texnologiya asta-sekinlik bilan shakllanib, O'zbekiston Respublikasiga ham kirib kela boshlagan. Yangi pedagogik texnologiya dars jarayonida o'qituvchilarni mustaqil fikrlash, erkin faoliyat yuritishga da'vat etadi. So'nggi yillarda Respublikamizning taniqli pedagog olim va o'qituvchilari tomonidan o'quv jarayoniga pedagogik texnologiyalarni joriy etish bo'yicha samarali izlanishlar olib borilmoqda. Pedagogik texnologiya tushunchasi ilmiy maqolalar, davriy nashrlar, anjumanlardagi mavzu va hisobotlarda ham o'z aksini topmoqda. Jumladan, respublikamiz olimlari R.X.Jorayev, A.P.Parpiev, N.X.Saydahmedov, U.N.Nishonaliev, L.Farberman, L.V.Golish, U.X.Tolipovlar hamda Rossiya pedagog olimlaridan V.P. Bezpalko, M.V.Klarin, V.M.Monaxov, P.I.Pidkasiyalar, shuningdek, qozog'istonlik olimlaridan M.J.Aristanov, J.S.Xaydarov va boshqalar o'z ilmiy tadqiqotlarida "pedagogik texnologiya" tushunchasining mohiyatini va ahamiyatini ochib berishga harakat qilganlar. Hozirgi kunda pedagogika adabiyotlari, ta'lim muammolariga oid ma'ruzalar va rasmiy hujjatlarda "yangi pedagogik texnologiya", "ilg'or pedagogik texnologiya", "zamonaviy pedagogik texnologiya", "o'qitish texnologiyasi", "ta'lim texnologiyasi" kabi iboralar keng qo'llanmoqda. Ammo ushbu tushunchalar hali ham bir qolipga tushirilmagan va entsiklopidiyalarda izohlanganicha yo'q. Bu iboralar mazmunining yagona lalqini ishlab chiqilmagan va shuning uchun ularning birbiridan farqlanuvchi ko'pgina ta'riflari mavjud. V.Guzevning ta'kidlashicha, an'anaviy uslubda ta'lim maqsadlari dastur talablariga muvofiq holda noaniq, ya'ni ta'lim oluvchilarning "o'zlashtirish" tushunchasi qobig'iga o'ralgan noaniq tasavvur bilan tavsiflanadi. Ko'proq yutuqlarga erishgan o'qituvchilarning ish tajribalarini umumlashtirish asosida ta'lim jarayonlari tashkil etiladi. Har bir aniq vaziyat uchun mana shu o'qituvchilarning pedagogik faoliyati namuna sifatida ko'rsatiladi. Ammo bir qator olimlar ta'limning alohida uslubiyotlari davri o'tganligi va har qanday ilg'or pedagoglar tajribalarini umumlashtirish tizimli va maqsadga yo'naltirilgan, samarali ta'limni qurish imkonini bermasligini ta'kidlamogdalar. Hozirgi kunda ko'pgina mutavassislar an'anaviy pedagogikani tanqid qilgan holda o'qitishda haligacha umumiy tushunchalar, qoida va qonuniyatlar

o'rganiladigan yondashuv ustivorligini ta'kidlamoqdalar. O'quvchilarning real dunyo ob'ektlari bilan ishlashi hajm va mazmun jihatidan juda kam.

Interfaol pedagogik texnologiyalar asosida tashkil etilgan darslarning afzalliklari shundan iboratki, bunday darslar tizimi tafakkurni charxlaydigan, Vatanga cheksiz muhabbat, sadoqatni, fuqarolik axloqi va demokratik madaniyatni shakllantiruvchi fan asosi bo'lib xizmat qiladi. Fanlarni o'qitishda —Guruhlar bilan ishlash, —Munozaral, —Muammoli o'qitish, —Aqliy hujum kabi metodlar, shuningdek jadvallar bilan ishlash, mustaqil fikrni ifodalaydigan yozma ishlar, insholar yozish o'quvchilar faolligini oshiradi. Bu metodlar asosida olib borilgan ana shunday darslar vaqt tejamkorligi bilan birga, yangi bilimlarni o'quvchiga yetkazib beradi, shuning bilan birga bolani o'ylantiradigan, chuqur mushohadaga undaydigan, butun diqqat e'tiborini o'ziga jalb qila oladigan, muammoli vaziyatlar, bahs-tortishuvlarda to'g'ri xulosalar bilan vaziyatdan chiroyli chiqib keta oladigan va olgan bilimlarini boshqa mavzular bilan bog'lab, umumlashtiradigan sharoitga ega bo'ladi. Hozirgi davr ta'lim taraqqiyoti yangi yo'nalish —innovatsion pedagogikani maydonga olib chiqdi. "Innovatsion pedagogika" termini va unga xos bo'lgan tadqiqotlar G'arbiy Yevropa va AQShda 60-yillarda paydo bo'ldi. Yangilik kiritishning sotsial-psixologik aspekti amerikalik innovatik E.Rodjers tomonidan ishlab chiqilgan. U yangilik kiritish jarayoni qatnashchilarining toifa(tip)lari tasnifini, uning yangilikka bo'lgan munosabatini, uni idrok qilishga shayligini tadqiq etadi.

Pedagogik texnologiya —ta'lim va tarbiya jarayonida zamonaviy pedagogik texnologiyalarni qo'lash, texnologik yondashuv asosida ta'lim va tarbiya jarayonining samaradorligini oshirish muammolarini o'rganadi. Texnologiya so'zining lug'aviy ma'nosiga to'xtalib o'tadigan bo'lsak, ushbu so'z yunonchadan olingan bo'lib, tehnos-mahorat, san'at logos-ta'limot, fan ma'nolarini anglatadi. Bundan kelib chiqadiki, texnologiya so'zi boshqa terminlarga qo'shilib, ana shu sohani rivojlantirish, mahoratini oshirish vazifalarini bajaradi. Umumiy qilib aytganda, texnologiya sifat jihatdan yangi masalalarni yechish uchun ta'lim evolutsiyasi bosqichini tayyorlagan obyektiv jarayondir. Yangi texnologiyalar katta ta'lim imkoniyatlarini ochdi. Ro'y berayotgan sifat o'zgarishlarshuni ko'rsatadiki, odat bo'lgan tushuntirishda—o'rgatish jarayonlari o'qituvchilarning kasbiy imkoniyatlari chegarasidan tashqari chiqib keta boshladi. Vujudga kelgan yangi texnik, axborot, bosma, eshitish va ko'rgazma vositalari o'ziga xos tarzda yangi metodikalar bilan ta'lim jarayoniga ko'pgina yangiliklar kiritib, uning ajratilmas qismi bo'lib qolmoqda. Biroq, pedagogik texnologik jarayonning o'ziga xosligi, uning an'anaviy shakllaridan ustivorligi va hozirgi zamon ta'limi muammolari real yechish usullari hali to'la o'rganilmagan. Bu haqda chet ellik va o'zbek avtorlari ko'p yozmoqdalar. Lekin barchalari pedagogik texnologiyalar kelajakda ustuvor o'ringa ega bo'lishiga ishonadilar. Hozirda ta'lim texnologiyasi yordamchi vosita bo'lib qolmay balki, o'quv

jarayonining rivojlanishida katta rol o'ynab, uning tashkiliy shakllari, metodlari, mazmunini o'zgartiradigan yangi sistema deb tushunilmoqda. Bu esa, o'z navbatida, o'qituvchi va o'quvchining pedagogik tafakkuriga o'z ta'sirini ko'rsatmoqda. Texnologiyani bunday tavsif qilish ta'lim jarayonidagi barcha tuzuvchilar orasidagi uzviy bog'lanishning muhimligini, pedagog va o'quvchining o'zaro hamkorligini ko'rsatadi. O'quvchi passiv ta'lim obyektidan faol shaxs ta'lim va tarbiya subyektiga aylanadi va aktiv subyekt sifatida o'qituvchi bilan bu jarayonda qatnashadi, mustaqil bilim olishga intiladi. Innovatsion usullarda dars o'tish jarayonini, ya'ni zamonaviy pedagogik texnologiyalarni boshlang'ich ta'lim davridan boshlab tashkillashtirish ta'lim tizimida yuqori samara beradi. Bu degani, boshlang'ich ta'lim umumiy o'rta ta'limning poydevori hisoblanadi. Ana shu poydevorni mustahkam tarzda bunyod etish kelgusi davrlardagi ta'lim jarayonlarining o'tilishida ham qulayli yaratgan bo'ladi. O'z-o'zidan kelib chiqadiki, boshlang'ich ta'limdan boshlab tashkil etilgan pedagogik texnologiyalar ta'limning keyingi davrlarida tshkil etilishida birinchi bosqich vazifasini o'taydi. O'quvchilarning bilishga bo'lgan qiziqishi shakllanishining muhim shartlaridan bin hissiy vaziyat, bilishga bo'lgan ehtiyoj va ongli fikrlashni rivojlantirishni yaratish bo'lishi ham mumkin. O'quvchilarning bilish faoliyati tuzilmasiga faollik kiradi, ya'ni boshunday ish faoliyatiki, unda bilish faoliyatini jonlantiradigan intellektual, irodaviy, hissiy jarayonlar birgalikda namoyon bo'ladi. Jonli bilish faoliyati uchun, bilimga bo'lgan har tomonlama, chuqur qiziqish, muayyan kuch sarf qilinishi, diqqat, belgilangan maqsadga erishish uchun zarur bo'lgan aqliy va jismoniy kuchlar qaratilgan bo'lishi lozim. Bilish faolligi individual bo'ladi, u shaxsning tug'ma qobiliyati emas, balki uning xatti-harakatlari jarayonida shakllanadi.

Pedagogika va psixologiyaga oid adabiyotlar tahlili shunday xulosa qilishga izn beradi: o'qitishda bilish faoliyatini jonlantirish deganda tom ma'noda fikrlash ishining faolligi tushuniladi. Fikrlash faolligi bilish faoliyatida maqsadga muvofiq analiz va sintezda, o'quv materiallarini konkretlashtirish va bir tizimga keltirishda, induksiya va deduksiyani qo'llashda, bilimlar tizimini egallashda, dunyoqarash hamda tasavvurlar va tushunchalarni ishlab chiqishda namoyon bo'ladi. O'quvchilarning ijodiy faolligi rivojlanishi shaxsning o'iganilayotgan narsa va hodisalar mohiyatiga chuqur kirib borishga intilish va bilish faoliyatiga yangilik va ijodiylik unsurlarini olib kira olishi qobiliyati bilan xarakterlanadi. Bu tushunchalar bir-birini to'ldiradi. Chunki mustaqil harakatlarning o'zidayoq shaxsning faolligi namoyon bo'ladi, aksincha, faollik ko'pincha mustaqil harakatlarni taqozo qiladi. Bilish mustaqilligi quyidagi belgilaiga ega:

- mustaqil fikrlay olish va unga intilish;
- yangi vaziyatlarda moljalni ola bilishsa yoki yangi vazifalarni yechishga o'z yondashuvini topa bilish qobiliyati;

•o‘zlashtirilayotgan bilimlami nafaqat tushunishni istash, balki uni qo‘lga kiritish usullarini topish;

•boshqa ishlami baholashda tanqidiy yondashuv;

B.P. Yesipov mustaqil ishlami bilimlami izlab topish, malaka va ko‘nikmalami mustahkamlash, bilimlardan yangi sharoitlarda foydalana olish hamda bilimlami amaliy qo‘llash kabi didaktik vazifalar bilan bog‘laydi.

Xulosa qilib aytganda o‘quv jarayonida pedagogik texnologiyalardan foydalanish ta‘lim samaradorligini oshirishga xizmat qiladi. Ushbu maqsadni ro‘yobga chiqarish quyidagi vazifalarni hal etishni nazarda tutadi:

1)O‘zbekiston Respublikasining —Ta‘lim to‘g‘risidagi qonuniga muvofiq ta‘lim tizimini isloh qilish, davlat va nodavlat ta‘lim muassasalari hamda kadrlar tayyorlash sohasida raqobat muhitini shakllantirish negizida ta‘lim tizimini yagona o‘quv ishlab chiqarish majmui sifatida izchil rivojlantirishni ta‘minlash;

2) ta‘lim va kadrlar tayyorlash tizimini jamiyatda amalga oshirilayotgan yangilanish, rivojlangan, demokratik-huquqiy davlat qurilishi jarayonlariga moslash;

3)kadrlar tayyorlash tizimi muassasalarini yuqori malakali mutaxassislar bilan ta‘minlash, pedagogik faoliyatning tashkiliy va ijtimoiy maqomini ko‘tarish;

4)kadrlar tayyorlash tizimini hozirgi talablar doirasida qayta qurish;

5)ta‘lim oluvchilarni ma‘naviy-ahloqiy tarbiyalashning samarali uslublarini ishlab chiqish va joriy etish;

6)tizimni attestatsiya va akkreditatsiya qilishning yagona metodikasini joriy qilish;

7)normativ va moddiy -texnika axborot bazasini yaratish;

8)ta‘lim, fan va ishlab chiqarishning integratsiyasini ta‘minlash;

9)tizimga byudjetdan tashqari investitsiyalarni jalb qilish;

10)kadrlar tayyorlash sohasida o‘zaro manfaatli xalqaro hamkorlikni rivojlantirish.

Foydalanilgan adabiyotlar:

1.J.Yo‘ldoshev, S.Usmonov, —Pedagogik texnologiya asoslaril, T., 2004.

2.J.Yo‘ldoshev, —Ta‘lim yangilanish yo‘lidal, T., 2000.

3. Ptiyukov V.Yu., —Osnov pedagogicheskoy texnologil, M., 1999.

4.Qodirova, M. (2020). Voyaga yetmagan o‘smirlar xulq atvorini shakllantirishda olib boriladigan ishlar mazmuni. Архив Научных Публикаций JSPI.

5.Majidov, J., & Majidova, G. (2020). SHAXS IJTIMOIIY TARAQQIYOTIDA OILA MUHITINING O‘RNI. Архив Научных Публикаций JSPI. 10.Majidov, J. (2020). PSYCHOLOGICAL CRITERIA OF THE LEADER PERSONALITY. Архив Научных Публикаций JSPI.

6.Majidov, J. (2020). Социальный интеллект как совокупность способностей, обеспечивающих адаптацию личности в обществе. Архив Научных Публикаций JSPI.

PEDAGOGIK FANLARNI O'QITISHDA METOD VA USULLARDAN FOYDALANISH

Farg'ona shahar kasb- hunar maktabi

*Davlat va huquq fani o' qituvchisi **Namunaxon Umarovna Ergasheva***

*Ona tili fani o' qituvchisi **Ashurova Oftobxon Xoshimovna***

*Ona tili fani o' qituvchisi **Saminova Munira Hasanboy qizi***

Annotatsiya: Ushbu maqolada pedagogik fanlarni o'qitishda metod va usullardan foydalanish, pedagogik texnologiyada dars o'tish metodikasi, ta'lim samaradorligini oshirishning interfaol usullaridan foydalanish yo'llari, pedagogika fanining metodologik asosi haqida atroflicha bayon qilingan.

Kalit so'zlar: pedagogika, metod, pedagogik texnologiya, metodologik muammolar.

Hozirgi kunda davlatimizda mutaxassislarining ilmiy salohiyatini birlashtirishga imkoniyatlar yetarli. Nazariya va amaliyot birligining ta'minlanishi pedagogik texnologining asl mazmunini aniqlashga yo'l ochadi. Ma'lumki, yangi pedagogik texnologiya pedagogika fanining alohida tarmog'i sifatida yoki faqat ta'lim amaliyotini qo'llab-quvvatlashga yo'naltirilgan tizim deb nazarda tutish mumkin emas.

Pedagogika fani o'z mazmun mohiyatini boyitishda, yangilashda mavjud pedagogik hodisa va jarayonlarni uning maqsadi va vazifalariga muvofiq keladigan usullar bilan o'rganadi. Umuman, pedagogika amaliyotida, o'qitish usullari va metodlarining katta boyligi to'plangan. Ularni tanlashda turli sharoitlar, o'qitilayotgan fanning xarakteri, bolalarning yosh xususiyatlari, oldingi tayyorgarlik darajasi va boshqalar hisobga olinadi. Ushbu ilmning ilmiy-tadqiqot usullari deganda yosh avlodni tarbiyalash, bilimni qilish va o'qitishning real jarayonlariga xos bo'lgan ichki yo'llari, uslublari va vositalari majmui tushuniladi. Pedagogika fanining ilmiy-tadqiqot usullari qanchalik to'g'ri tanlansa, ta'lim-tarbiya mazmunini yangilash va takomillashtirish shu darajada yuksaladi. Ammo shuni ta'kidlash lozimki, ilmiy-tadqiqot metodlari tizimi hozirgacha fanda to'la yaratilmagan, hal etilmagan.

O'qitish metodi o'qituvchi va o'quvchilar nazariy hamda amaliy bilish faoliyatining ta'limiy vazifalarini bajarishga qaratilgan yo'ldir, deydi professor R. A. Mavlonova. U o'qitish metodlariga quyidagi muayyan talabalarni qo'yadi:

1. O'quv materialini o'rganishning o'qituvchi tavsiya etgan yo'li, fikrlashning dialektik- materialistik usuli, mustaqil qarashlarga, irodaviy xususiyatlar va xulqning shakllanishiga olib borishi kerak. Ana shu talab nuqtai nazaridan, metod tarbiyaviy tusda bo'lishi lozim.

2. O'qish metodining ilmiy asosi yaqqol va aniq bo'lishi zarur. Shundagina o'qituvchi mazkur metod orqali qanday masalalarni hal qilib bo'lmasligini, qanday masalalar qo'yilishi va hal qilinishi mumkinligini, qanday masalalarni hal qilib bo'lmasligini bila oladi.

3. O'qitishning tizimliliigi uning samaradorligini belgilaydi.

4. O'qitish metodining tushunarliliigi: o'qitishning yo'li o'quvchi uchun qabul qilinishi va qo'llanishi, o'quv materialini o'rganishning usuli esa bilimlarni o'zlashtirishning imkoniyatlariga muvofiq bo'lishi lozim.

Har qanday metoddan biror maqsadga erishish ko'zda tutiladi va shuning uchun u qandaydir maqsad qo'yishni, unga erishish bo'yicha faoliyat usulini, ana shu faoliyatni amalga oshirishda yordam beradigan vositalarni bilishni taqozo etadi. Bir so'z bilan aytganda, o'qituvchi va o'quvchilarning xatti-harakatlariga asoslangan pedagogik metod natijasida o'quvchilar bilim, iqtidor va ko'nikmalarga ega bo'ladilar, o'z dunyoqarashini, tafakkurini va ma'naviyatini yuksaltirishga erishadilar.

Pedagogik texnologiya bu sohadagi nazariy va amaliy izlanishlarni birlashtirish doirasidagi faoliyatni aks ettiradi. Hozirgi zamon pedagogika fani oldida turgan asosiy muammolardan biri-o'qituvchi va pedagogik mehnat sharoiti masalasi sanaladi. Chunki o'qituvchida hamma pedagogik fikrlar mujassamlangan bo'lib uning faoliyati asosida bu g'oyalar amalga oshiriladi va hayotga tatbiq etiladi.

O'qituvchining ko'p qirrali va murakkab faoliyati zamirida yosh avlodni odobli, axloqli qilib tarbiyalash, ularni bilimlar bilan qurollantirish kabi asosiy vazifalar yotadi. Bularni amalga oshirish esa o'qituvchining xilma-xil faoliyatiga bog'liq: bolalarni o'qitish, maktabdan va sinfdan tashqaritarbiyaviy ishlarni tashkil qila bilish va o'tkazish, ota-onalar orasida pedagogik targ'ibot faoliyatlarni olib borish va hokazo.

Binobarin, Bularning barchasi o'qituvchidan chuqur bilimga ega bo'lishni, o'z sohasini, bolalarni sevishni talab qiladi. Agar, bolani chuqur bilimli, e'tiqodli, madaniyatli qilib tarbiyalamoqchi bo'lsak, shu fazilatlar o'qituvchida mujassamlangan bo'lmog'i kerak. Shunday ekan o'qituvchi, umuman boshlang'ich sinf o'qituvchisi yuksak fazilatlarga, yaxshi xulq-atvorga, eng keragi madaniyatli bo'lishi, ularni amalda qo'llashi darkor.

Pedagogika fanlarini o'qitish metodikasi kursining asosiy metodologik masalalaridan biri bu shaxs tarbiyasi va uning rivojlanishi masalasi sanaladi. O'sib varivojlanib boruvchi inson tarbiya ob'ekti hisoblanadi. Butun hayoti mobaynida insonning shakllanish jarayoni davom etaveradi. Bu jarayonda u turli o'zgarishlarni o'z boshidan kechirib boradi. Insonda bo'ladigan jismoniy o'zgarishlarga-bo'yining o'sishi, vaznning og'irlashib borishi, suyak va mushak tizimlarining, ichki a'zolari va asab tizimining o'zgarib borishi kiradi. Ruhiiy o'zgarishlar esa uning aqliy rivojiga bog'liq bo'ladi va insonda ruhiy sifatlarning rivojlanib borishi, unda hayot uchun kerak bo'lgan sotsialsifatlarning tarkib topishi sanaladi. Pedagogika o'z tadqiqot

ob'ektiga va tadqiqot metodlariga ega. Ilmiy tadqiqot barcha fanlar kabi pedagogika fanini ham shakllanib borishga, ayrim pedagogik voqealarni tekshirishga, ularni to'g'ri hal qilish yo'llarini aniqlashga yordam beradi.

Hodisa uning taraqqiyoti davomida boshqa hodisalar bilan bog'liq holda o'rganiladi. Miqdor o'zgarishi sifat o'zgarishiga o'tish daqiqalarida kuzatiladi. Pedagogika fani tarmoqlariga predmetlarni o'qitishning qonuniyatlarini o'rganuvchi fan metodika ham kiradi. Shu bilan birga pedagogika fani boshqa fanlardan ajralgan tarzda rivojlana olmaydi. Pedagogikaning tarbiya sohasidagi ob'ekti o'sib kelayotgan yosh avlod bo'lganligi uchun pedagogika insonni o'rganuvchi fanlar bilan bog'liqdir.

Xulosa o'rnida shuni aytish joizki, pedagogika fanining metodologik asosini falsafa tashkil qiladi. Chunki tarbiyaning maqsadi, ilmiy dunyoqarashni takomillashtiradi: jamoa va shaxs masalalari va shu kabilar fanlarni metod birlashtiradi. Pedagogika fanida to'plagan metodlar ilg'or tajribalarni o'rganish, kuzatish, suhbat, anketalashtirish, maktab hujjatlarini o'rganish, matematik va tadqiqot natijalarini va ularni amalda tadbiq etish kabi metodlardan keng foydalaniladi.

Foydalanilgan adabiyotlar:

1. «Pedagogika tarixi». A.Zunnunova, B.To'xliiev, X.Ma'sudov. Toshkent. 2002
2. «Pedagogika». Q.Qosnazarov, A.Pazilov, A.Tilegenov. Nukus. 2010.
3. «Pedagogika». N.G'aybullaev, R.Yodgorov, R.Mamatqulova, Q.Toshmuratova. Toshkent. 2000
4. Tolipov O., Usmonboeva M. Pedagogik texnologiyalarning tadbiqiy asoslari. –T.: 2005.
5. Hasanboeva O., Djamilova N. Pedagogik fanlarni o'qitish metodikasi. –T.: 2008.

PEDOGOGIKA FANINING RIVOJLANISH TARIXI

Farg'ona shahar kasb- hunar maktabi

Davlat va huquq fani o' qituvchisi Namunaxon Umarovna Ergasheva

Ona tili fani o' qituvchisi Ashurova Oftobxon Xoshimovna

Ona tili va adabiyoti fani o'qituvchisi Ahmadaliyev Sardorbek Zafarjon o'g'li

Annatsiya: Ushbu maqolada har bir ijtimoiy tuzumda insonning ma'naviy yuksalishini ta'minlovchi ta'lim-tarbiya, ma'naviyat va ma'rifat kabi tushunchalar mavjud bolib, ular pedagogika sohasidagi o'zgarishlarni jamiyat taraqqiyoti bilan bog'liq holda o'rganishni talab etishi haqida qisqacha ma'lumotlar yoritiladi.

Kalit so'zi: Pedagogika, Turkiston, axloq, Mustaqillik, etnografiya, arxeologiya, ahloqshunoslik, kadrlar.

Pedagogika tarixi qadim zamonlardan hozirgi kungacha bo'lgan turli tarixiy davrlarda tarbiya, maktab va pedagogika nazariyasining taraqqiyotini davrlar talabi asosida o'rganib keladi. Har bir ijtimoiy tuzum, uning kelajagi, insoniyat istiqboli, kishilarning turmush darajasi fan va madaniyat taraqqiyoti bilan bevosita bogliqdir. Binobarin, mustaqillik tufayli ko'hna Turkiston diyorida istiqomat qilib kelgan barcha xalqlar milliy qadriyatlarining qayta tiklanishi va rivojlanishi uchun shart-sharoitlar vujudga keldi.

Axloqan pok va etuk insonlarni tarbiyalash masalasini muvaffaqiyatli hal etishda xalqimizning ma'naviy boyliklari, ajdodlarimizning bizga qoldirgan ilmiy merosi va tarixiy-tarbiyaviy tajribalarini organib chiqish, ularning yutuqlarini ta'lim-tarbiya ishlariga tadbiq etishning ahamiyati kattadir. O'zbek xalqi tarixan ta'lim tarbiya sohasida o'ziga xos dorilfunun yaratgan. Hatto hozirgi o'zbek xalqi yashab turgan zaminda zardushtiylik dini keng yoyilgan davrlarda ham nekbin pedagogik qarashlar hukm surgan.

Mustaqillikning dastlabki kunlaridanoq ajdodlarimiz tomonidan ko'p asrlar mobaynida yaratib kelingan g'oyat ulkan, bebaho ma'naviy va madaniy merosni tiklash davlat siyosati darajasiga ko'tarilgan nihoyat- da muhim vazifa bo'lib qoldi... Tarixiy tajriba, an'analarning meros bo'lib o'tishi - bulaming barchasi yangidanyangi avlodni tarbiyalaydigan qadriyatlarga aylanib qolmog'i lozim».1' Pedagogika tarixi jamiyat taraqqiyoti qonunlariga suyangan holda turh pedagogik nazariyalarni, ta'Hm-tarbiyaning mazmuni va metodlarini o'rgatadi.

O'tmishning pedagogik sistemalarida bo'lgan ilg'or fikrlarning hammasidan ijodiy foydalanadi. Demak, pedagogika tarixi ijtimoiy fandır. U tarixiy pedagogika hodisalariga davr talabi asosida yondashadi, tarbiya nazariyasi va amaliyotining turh bosqichlarda xilma-xil bo'lganligini ochib berib, ilg'or qarashlarning taraqqiyot yo'li

ko'rsatadi. Pedagogika tarixi fani pedagogika, psixologiya, falsafa, madaniyat tarixi, O'zbekiston tarixi, jahon xalqlari tarixi, etnografiya, arxeologiya, ahloqshunoslik va boshqa bir qator fanlar bilan uzviy aloqador. Biz pedagogika tarixini o'rganish va tahlil qilishda: qadimgi yozuvlar, toshbitiklar, qo'lyozma yodgorliklar, Sharq mutafakkirlarining ilmiy- ma'naviy merosi, xalq og'zaki ijodi, muqaddas kitoblar, pandnomalar, dasturlar, o'quv qo'llanmalari va darsliklar, xalq maorifi masalalariga oid materiallar, matbuot matnlari asoslanamiz.

Pedagogikaning fan sifatida shakllanib borishi ijtimoiy-iqtisodiy zaruriyat bo'lib, u turli fanlar bilan qadim-qadim zamonlardan boshlab bog'liqlikda rivojlanib kelgan. Alloh yeri osmonni, butun borliqni inson tufayli yaratib, unga aql gavharini, tafakkur qilish qobiliyatini berdi va yer yuziga xalifa etib yubordi. O'zining mavjudligi har bir ishga qodirligini, ilmga tengsizligini, mehru muruvvatda beqiyosligini bildirdi. Islomda ilm berishda bir-biriga bo'liq bo'lgan din va dunyo haqida tushuncha mavjud, ular alohida tushuncha emasligi isbotlangan. Dunyoviy deb ataladigan ilmlarning barchasi Qur'oni Karim ta'limoti bilan bog'liq va uyg'undir. Chunki islomiy hidoyatning butun insoniyatga qarata aytilgan ilk xitobi "o'qi" so'zi edi. Ya'ni, ilk bor nozil bo'lgan "Alaq" surasida "Yaratgan zot bo'lmish Robbingiz nomi bilan o'qing! U insonni lahta qondin yaratdi. O'qing!" Demak, O'ur'on insoniyatni ma'rifatga, ilmga chorlab, o'rganmoq uchun o'qishni amr etmoqda. Shuni ta'kidlamok kerakki, pedagogika fanining metodologik asosi diniy va dunyoviy fanlar tarkibida rivojlanib kelgan. Qur'onda "Ilm" so'zi turli xillarda 765 marta takrorlanadi. Arab faylasuf olimlari ham islom falsafasiga suyangan holda ijod etganlar.

Ma'lum davrga kelib pedagogika fani asoslari muayyan tizimga solindi va ilmiy jihatdan asoslandi. Bu o'rinda pedagogika fani rivojiga o'zining munosib hissasini qo'shgan mutafakkirlar: G'arbda — Ya.A.Komenskiy, D.Didro, J.J.Russo, F.Gerbert, V.V.Disterveg, K.D.Ushinskiy, A.S.Makarenko, V.A.Suxomlinskiy, Sharqda I.Ibrat, S.Siddiqiy, A.Shakuriy, S.Ayniy, A.Avloniy, A.Fitrat, H.H.Niyoziy, M.Abdurashidov, M.Behbudiylar shaxsga ta'lim berish va uni tarbiyalash borasidagi qarashlarni yanada boyitdilar hamda ta'lim tizimiga ilm-fan, texnika yangiliklarini tatbiq etish, o'qitishni yangi tizim (izchil, uzluksiz, asoslangan) asosida tashkil etish kabi g'oyalarni ilgari surdilar.

Pedagog kadrlar tayyorlash sifatini oshirish masalasi respublikamiz va jahon miqyosida tadqiqotchilarning diqqat markazida bo'lib kelmoqda. Mazkur muammo ta'lim mazmunini modernizatsiyalash, ta'lim jarayonini tashkil qilish texnologiyalari va usullarini optimallashtirish bilan chambarchas bog'langan. Ularning to'laqonli hal etilishiga esa pedagogik tadqiqotlarni amalga oshirishda yanada moslashuvchan va taraqqiyparvar yondashuvlarni keng joriy etish orqaligina erishish mumkin. O'z navbatida pedagogika fani boshqa fanlar kabi yangi-yangi faktlar, yuqori natijalarga erishish imkonini beruvchi texnologiyalar asosida rivojlanib boradi. Buning uchun esa

ilmiy asoslangan tadqiqot metodlariga tayanish talab etiladi. Ilmiy tadqiqot metodlari esa o'z navbatida metodologiya tushunchasi bilan ataluvchi nazariy prinsiplar majmuasiga bog'liq bo'ladi.

Pedagogik metodologiya sohasida amalga oshirilgan ilmiy ishlar tahlili «metodologiya», shuningdek, «pedagogik metodologiya» tushunchasiga nisbatan turlicha yondashuvlar mavjudligini ko'rsatadi. Pedagogika fanida metodologiya tushunchasining gnoseologik talqini ko'proq ustuvorlik kasb etadi. Mazkur yondashuvga ko'ra «metodologiya» tushunchasi, mazmunan «gnoseologiya» (bilish to'g'risidagi fan), «nazariy bilish» kabi tushunchalarga yaqin turadi. Ushbu yo'nalish tarafdorlari masalaga bir tomonlama yondashib, metodologiyani faqat «bilish metodlari to'g'risidagi ta'limot» yoki hodisalarni bilish jarayoni sifatida talqin qiladilar. Shu o'rinda, ushbu tushunchaning «borliqni o'zgartirish metodlari to'g'risidagi ta'limot» ekanligini e'tibordan chetda qoldiradilar va metodologiyani gnoseologik qolip bilan cheklab qo'yadilar.

Pedagogika fani rivoji muayyan pedagogik muammolarni tadqiq etish maqsadida olib borilgan tadqiqot ishlarining g'oyasi, mazmuni hamda natijalari hisobiga ta'minlanadi. Ijtimoiy va ishlab chiqarish jarayonining keskin rivojlanishi shaxsni har tomonlama kamol toptirish imkonini beruvchi omil hamda pedagogik shart-sharoitlarni aniqlash, jamiyat va shaxs ma'naviyatiga ziyon yetkazuvchi holatlarni bartaraf etishni taqozo qiladi. Tarbiya jarayonlarining mohiyatini anglash ularni keng yoki tor doirada o'rganish, mavjud ko'rsatkichlar vositasida ularning sodir bo'lish sabablarini o'rganish, zarur chora-tadbirlarni belgilash ilmiy izlanishlarni tashkil etish zaruriyatini yuzaga keltiradi. Pedagogik izlanishlarning samarali kechishi bir qator obyektiv va subyektiv omillarga bog'liq. Mazkur jarayonda maqsadga muvofiq keluvchi, maqbul, ayni vaqtda samarali bo'lgan metodlarni tanlay olish ham muhimdir.

Pedagogika tarixini o'rganish o'qituvchilarning faqat pedagogik madaniyatini oshiribgina qolmay, balki pedagogik mahoratni egallashga ham yordam beradi. Shuningdek, o'tmishning ta'lim-tarbiya sohasidagi eng yaxshi tajribalarini o'rganadi, bu esa uning kundalik pedagogik faohyatida yordam beradi, uni bevosita amaliy faohyatga tayyorlaydi.

Foydalanilgan adabiyotlar:

1. <https://www.amazon.com>
2. <https://www.kundalik.com>
3. <https://www.kun.uz>
4. <https://www.google.com>
5. <https://uz.m.wikipedia.org>
6. Узбекистан Республикасини ялада ривожлантириш буйнча ХАракатлар стратегияси туғрисидаги /Расмий нашр/ Узбекистон Республикаси ДДпиа вазирлиги - Тошкент *1Адолат"2017-йил, 25-бет
7. KadrSar tayyorlash mffliy dasturi //Oliy ta'lim: me'yoriy hujjatlar to'plami. -Toshkent: Sharq nashriyot-matbaa aksiyadorlik kompaniyasi Bosh tahririyati.

JAMIYATNI AXBOROTLASHTIRISHNI TA'LIM TIZIMIDAGI AHAMIYATI

Abdurazzoqov Ilhom Rustamovich
Termiz davlat pedagogika instituti
Informatika va uni o'qitish metodikasi
kafedrasini o'qituvchisi,
Bozorov Bahrom Yo'ldosh o'g'li
Termiz davlat pedagogika instituti talabasi,
Nomozov Jo'rabek Ibodullo o'g'li
Termiz davlat pedagogika instituti talabasi,

Annotatsiya: Ushbu maqolada Zamonaviy dunyoda jamiyatni axborotlashtirish, axborotlashtirishning bugungi kundagi ahamiyati va bu sohani amalga oshirishdagi qilinadigan ishlar haqida fikr yuritildi.

Kalit so'zlar: Axborotlashtirish, axborot, axborot resurslari, axborotlashgan jamiyat, axborotlashtirish jarayoni, axborot madaniyati, tizim tushunchasi.

Kirish. Yangi XXI asrda mamlakatlarning milliy iqtisodi globallashib, axborotlashgan iqtisod shakliga aylanmoqda. Ya'ni milliy iqtisoddagi axborot va bilimlarning tutgan o'rnini tobora yuksalmokda va ular strategik resursga aylangan. Dunyoda jang'arilgan axborot va bilimlarning 90 % i so'nggi 30 yil mobaynida yaratilgan. Axborot va bilimlar hajmining kundan-kunga ortib borishi milliy iqtisodning barcha sohalarida, jumladan, ta'limda ham axborot-kommunikatsiyalar texnologiyalaridan keng ko'lamda samarali foydalanishni talab etmoqda.

Axborot xuddi an'anaviy resurslar kabi izlab topish, tarqatish mumkin bo'lgan resursga aylandi. Ushbu resursning foydalanadigan umumiy hajmi kelgusida davlatlarning strategik imkoniyatini, shuningdek mudofa qobiliyatini ham belgilab beradi, deyishga jiddiy asos bor.

Axborot, kompyuterlashtirish, hisoblash texnikasi, zamonaviy axborot texnologiyasi, modellash, ma'lumotlar manbai, dasturlashtirish, shaxsiy kompyuterlar, dastur bilan ta'minlash va boshqa shu kabi ilmiy tushunchalar jamiyatni axborotlashtirishning eng muhim xususiyatlarini ifoda etadi.

Axborot - ijtimoiy, iqtisodiy tabiiy fanlarning, tafakkur ilmining taraqqiyoti natijasida yuzaga kelgan bilim va ma'lumotlar, kishilarning amaliy faoliyati davomida to'plagan tajribalari majmui demakdir. Inson axborot oqimi ichra yashar ekan, turli-tuman voqea, hodisalar va jarayonlarning bir - biriga aloqadorligini, o'zaro munosabati mohiyatini tahlil etish, mushohada va mulohaza qilib ko'rish maqsadida ko'pdan ko'p

dalil va raqamlarga murojaat qiladi. Axborot tufayli nazariy bilimlar amaliyot bilan birlashadi.

Asosiy qism:

Hozirgi zamon fan-texnika taraqqiyoti axborot oqimining juda ham kengayishiga olib keldi. Axborot oqimining tobora kengayib borganidan shu narsa ham dalolat bera oladiki, o'tgan asrning 70-yillar o'rtalariga kelib oqib ishlab chiqarish kuchlari taraqqiyoti shunday darajaga etgan ediki, ulardan oqilona foydalanish, ijtimoiy ishlab chiqarishni jadallashtirish uchun yiliga 1016 arifmetik amalni bajarish kerak bo'ladi. Tabiiyki, bunday murakkab hisob - kitobni cho't qoqib amalga oshirib bo'lmaydi. 10 milliard kishi bir yil davomida tinmay ishlagan taqdirdagina shuncha arifmetik amalni echa olishi mumkin.

Akademik V.Q. Qobulov ta'kidlaganlaridek, «Iqtisodiy kibernetika, ijtimoiy ishlab chiqarishning siyosiy-iqtisodiy tahliliga asoslangan holda, axborot va materiallarni tubdan o'zgartirib yuborishning iqtisodiy tizimi doirasida ko'radi».

Axborot tanqisligi bilan bog'liq bo'lgan boshqaruv xatolari juda qimmatga tushadi. Ayni paytda, boshqaruv va ishlab chiqarish samaradorligi, ilg'or texnologiyalarni ishlab chiqish va foydalanish bo'yicha eng ko'p axborotga ega bo'lgan tizim yutib chiqmoqda.

Mutaxassislar, birinchi galda iqtisodchilarning axborotga erkin kirib borishini sanoat rivojlanishi sharoitida bozor iqtisodi samaradorligining asosiy shartlaridan biri deb hisoblaydi. Ularning faoliyati va jamiyat ishlab chiqarishining asosiy sohalari u yoki bu ma'noda axborot bilan bog'liq bo'lib, ish bilan band bo'lganlarning 40-60 % ini tashkil etadi. Axborot xizmatlari jahon yalpi ijtimoiy mahsulot va milliy daromadining 10 % ini tashkil qilmoqda. Shuning 90 % i AQSh, Yaponiya va G'arbiy Evropa hissasiga to'g'ri keladi.

Axborot intellektual faoliyatning muhim mahsuloti sanaladi. Sanoati rivojlangan barcha mamlakatlarda ushbu mahsulotlarni o'z foydalanuvchilariga etkazishning «usullari va vositalari» ni ishlab chiqish hamda joriy etish jadal sur'atlarda olib borilmoqdaki, bu axborot tizimlari va texnologiyalari sanoatini yaratishda o'z aksini topgan.

Jamiyatni kompyuterlashtirish, axborot texnologiyalarini rivojlan-tirish bo'yicha vazifalarni hal etish uchun 2002 yil 30 mayda O'zbekiston Respublikasi Prezidentining «Kompyuterlashtirishni yanada rivojlantirish va axborot – kommunikatsiya texnologiyalarini joriy etish to'g'risida» gi Farmonida belgilangan chora-tadbirlarning amalga oshirilishi axborotlashtirishning milliy tizmlari barpo etilishini, iqtisodiyotga va jamiyatning har bir a'zosi hayotiga kompyuter texnikasi va axborot texnologiyalari ommaviy joriy etilishi uchun shart-sharoitlarni ta'minlaydi, jahon bozorida mamlakatimiz iqtisodiyotining raqobatbardoshligini oshiradi.

Farmonda va hukumat qarorida belgilangan dasturiy chora-tadbirlarning amalga ro'yobga chiqarilishi boshqaruvning barcha tarmoq va mintaqaviy organlariga, iqtisodiy va madaniyatning barcha sohalariga, umuman, jamiyatga daxldordir. Ushbu vazifalarni amalga oshirish uchun maxsus «Kompyuterlash-tirishni va axborot-kommunikatsiya texnologiyalarini rivojlantirish bo'yicha muvofiqlashtiruvchi Kengash» tashkil etildi. Joriy yilda Kengashga 2010 yilgacha bo'lgan davrda telekommunikatsiyalar va ma'lumotlar uzatishning milliy tarmog'ini rivojlantirish; davlat boshqaruviga elektron texnologiyalarni joriy etish; elektron tijoratni rivojlantirish bo'yicha dasturlarni tayyorlash topshirildi.

Prezident Farmonini bajarish yuzasidan Vazirlar Mahkamasi qaror qabul qildi va 2002-2010 yillarda kompyuterlashtirish va axborot – kommunikatsiya texnologiyalarini rivojlantirish dasturini tasdiqladi, Unda telekommunikatsiyalar va ma'lumatlar uzatishni rivojlantirish, axborot resurslaridan foydalanish, Internet tarmog'ida o'z saytlarini yaratishning maqsadli yo'nalishlari belgilandi.

Axborot resurslarini oqilona tashkil etish va foydalanishda ular mehnat, moddiy va energetik resurslar ekvivalenti sifatida namoyon bo'ladi. Ayni paytda axborot — bu boshqa barcha resurslardan oqilona va samarali foydalanish hamda ularni asrab-avaylashga ko'maklashuvchi yagona resurs turidir.

XXI asrga kelib insoniyat tarixida ilk bor sanoati rivojlangan mamlakatlar ishlab chiqarishida axborot ish quroliga aylandi. Moddiy ishlab chiqarish sohasidan mehnat resurslarining og'ishmay axborot sohasiga o'tib borishi tendentsiyasi tobora yaqqol sezilmoqda. Buning asosiy sababi shundaki, ishlab chiqarish sur'ati o'sishi va rivojlanishi jarayonida qarorlar qabul qilish hamda boshqarish uchun zarur bo'lgan axborot hajmi oshib bormoqda. Bu o'sish avvalo, iqtisodiy, texnik, ilmiy, texnologik va ijtimoiy tizimlar va jarayonlarda namoyon bo'lmoqda.

Axborotlashtirish jarayoni deganda – inson faoliyatining muhim yo'nalishlarida olingan bilimlardan samarali foydalanish uchun ko'rilgan kompleks chora-tadbirlar tushuniladi.

Zamonaviy va samarali echimlar topish uchun ko'plab, struktura jihatidan murakkab axborot tizimi yaratilmoqda, natijada, axborotlashtirish jarayonida ishtirok etuvchilar soni kun sayin ortib bormoqda. Bu jamiyat va moddiy ishlab chiqarish tarmoqlarining ko'plab mablag'larini shu sohaga jalb qilishga olib kelmoqda. Bu o'z navbatida insonlarni axborot resurslaridan ratsional foydalanish yo'llarini qidirishga majbur qilmoqda. Zamonaviy sharoitda yangi axborot oqimi qanchalik tez ko'paysa shu bilan birga ularning eskirish muddatlari ham tezlashmoqda, bu o'z navbatida, axborotni tanlash, unga erishish qiyinchiliklarini keltirib chiqarmoqda.

Har bir injener, xizmatchi, rahbar o'z faoliyati davomida ko'plab qog'ozlarga bitilgan axborotni tahlil qilishiga to'g'ri keladi. Bu esa axborotga erishish uchun ko'plab vaqt sarflashga to'g'ri kelib, ishni tashkil qilish unumdorligiga salbiy ta'sir

qiladi. Bunday muammolarni samarali echish jamiyatni axborotlashtirish masalasini ko`ndalang qilib qo`ymoqda.

Axborotlashgan jamiyat – ko`pchilik ishlovchilarning axborot, ayniqsa uning oliy shakli bo`lmish bilimlarni ishlab chiqarish, saqlash, qayta ishlash va amalga oshirish bilan band bo`lgan jamiyatidir.

Axborotlashgan jamiyatning o`ziga xos jihatlari quyidagilarda namoyon bo`ladi:

- axborot iqtisodiyotining rivojlanishi;
- axborot tangligini bartaraf etish;
- axborot texnologiyasining globaligiga erishish;
- turli axborot resurslariga erkin kirib borilishi;
- axborot resurslarining ustunligini ta'minlash;
- yangi axborot texnikasi va texnologiyalarini keng qo`llash;
- boshqaruv faoliyatida axborotdan samarali foydalanish.

Axborotlashgan jamiyatda inson axborot bilan ishlash bo`yicha ma'lum darajadagi axborot madaniyatiga ega bo`lishi zarur. Buning uchun shaxsni axborotni tez qabul qilish va katta hajmini qayta ishlash, zamonaviy vositalar, usullar va texnologiyalardan foydalanishga tayyorlash lozim.

Axborot madaniyati deganda – jamiyat a'zolarining axborotdan maqsadli foydalanish, axborotni qayta ishlash va uzatish, zamonaviy texnik-tashkiliy vositalardan va usullaridan foydalanish ko`nikmalariga ega bo`lishi tushuniladi.

Axborotlashgan jamiyat quyidagi jihatlarda namoyon bo`ladi:

- texnik qurilmalardan foydalanish ko`nikmalariga ega bo`lish;
- o`z faoliyatida kompyuter, axborot texnologiyalaridan foydalanish;
- turli manbalardan axborotni olishni bilish va undan samarali foydalanish;
- axborotni tahliliy qayta ishlash asoslarini egallash;
- o`z faoliyatiga taalluqli axborotni bilish va u bilan ishlashni uddalash.

Axborotlashgan jamiyatning shakllanish va takomillashish muammolariga bag`ishlangan chet el va mamlakatimiz olimlarining ilmiy ishlari [30,31,49,50] salmog`i oz emas.

«Axborotlashgan jamiyat» tushunchasini birinchilar qatorida amerikalik iqtisodchi olim F. Maxlup ilmiy doiraga kiritgan. U monopoliya raqobatida patentlashtirish tizimining tutgan o`rnini statistik usullar asosida o`rganib, AQSh yalpi ichki mahsulotida axborotning miqdoriy jihatdan tavsiflanishini ko`rib chiqdi. Olim axborotni tovar sifatida qabul qilish kontseptsiyasiga asoslangan holda Amerikada kelajakda jamiyat rivojlanishining asosiy sharti «axborotlashgan iqtisod» bo`lishi g`oyasini ilgari surdi.

Tahlillar shuni ko'rsatmoqdaki, jahon amaliyotida axborot sohasining milliy iqtisoddagi o'rnini aniqlash bo'yicha iqtisodiy hisob printsiplariga asoslangan ikkita eng mashhur ilmiy qarash mavjud bo'lib, ular F. Maxlup va M. Poratlarga tegishli.

Iqtisodchi olim F. Maxlup birinchilardan bo'lib milliy boylikning qanday qismi axborot mahsulotlari va xizmatlarini ishlab chiqarish, qayta ishlash va tarqatish hisobiga vujudga kelishini hamda bilim, umuman u bilan bog'liq bo'lgan yalpi milliy mahsulot qismini aniqlash masalasini ko'ndalang qo'ydi. U AQSh milliy iqtisodini to'la tadqiq qildi va bilimlar yaratadigan 30 ta tarmoqni belgilab oldi hamda ularni 5 ta guruhga ajratdi: maorif; ilmiy tadqiqot va ishlab chiqarish; aloqa va ommaviy axborot vositalari; axborot mashinalari va vositalari; axborot xizmatlari.

Amaliyoti rivojlangan mamlakatlarda fan va axborot-kommunikatsiyalar texnologiyalarining takomillashib borishi axborotlashgan jamiyatni shakllantirish bo'yicha o'zining nazariy takliflarini bergan olimlarning g'oyalari o'z o'rnini topayotganini ko'rsatmoqda. Bashorat qilishlariga qaraganda, butun jahon mamlakatlari yagona kompyuterlashtirilgan va axborotlashtirilgan kishilar jamiyatiga aylanib boradi. Tadqiqotlar axborotlashgan jamiyatga xos bo'lgan quyidagi xususiyatlarni belgilab berdi:

- axborot tanqisligi muammosi hal etiladi;
- boshqa resurslarga nisbatan axborot resurslari birlamchi o'ringa chiqadi;
- axborotlashgan iqtisod rivojlanishning asosiy shakli bo'lib xizmat kiladi;
- jamiyat taraqqiyotining negizi bo'lib axborot-kommunikatsiyalar bozori tovarlarini keng qo'llash shartlari qo'yiladi;
- insoniyat taraqqiyotining yagona axborot maydoni shakllanmoqda.

Tizim tushunchasi

Hozirgi davr iqtisodiyotining murakkabligi va jo'shqinligi uning tuzilmasini unsurlarining tashqi muhit bilan o'zaro aloqasini, unsurlar ishlashi optimal tartiblarini belgilashni o'rganishni, ya'ni iqtisodiyotni yaxlit tizim nuqtai nazaridan tadqiq etishni ko'zda tutadi.

Tizim so'zi rus tilidagi sistema so'zining tarjimasini bo'lib, oxirgisi yunoncha so'zi bo'lmish "systema" so'zidan olingan. Systema so'zining asl ma'nosi – bu bir-biri bilan bog'liq bo'lgan qismlar va elementlar to'plamining yaxlit butun ob'ekti tushuniladi.

Tizimlar umumiy nazariyasi - bu ilmiy yo'nalish bo'lib, ishlab chiqarish tabiati murakkab tizimlar tahlili va sintezining birtalay falsafiy, uslubiy, ilmiy muammolarini o'rganadi.

Hozirgi kunda fan va texnikada ko'p qo'llaniladigan tushunchalardan biri - tizimdir. **Tizim** – bu tashkil etuvchilardan iborat bir butunlik degan ma'noni anglatadi. Umumiy holda tizimga quyidagicha ta'rif keltiramiz.

Tizim – bu o'zaro bog'liq va yagona maqsadga erishish uchun ma'lum qoida asosida o'zaro munosabatda bo'ladigan elementlar to'plamidir. Bu elementlar to'plami

oddiy elementlar yig'indisidangina iborat bo'lmay, har bir element ham o'z navbatida tizim bo'lishi mumkin.

Tizimlarni turli belgilarga ko'ra turkumlarga ajratish mumkin. Umuman olganda, tizimlar moddiy yoki mavxum bo'lishi mumkin (mavxum - inson ongi maxsuli).

Moddiy tizimlar, asosan moddiy ob'ektlar to'plamidan tashkil topadi. O'z navbatida moddiy tizim anorganik (mexanik, ximik) va organik (biologik) tizimga yoki aralash tizimga ajratiladi. Moddiy tizimlarda asosiy o'rinni ijtimoiy tizim egallaydi. Bunday tizimning xususiyatlaridan biri insonlar o'rtasidagi munosabatlarni aks ettirishdir.

«Tizim»ni aniqlashga quyidagi atamalar kiradi: «ob'ektlar», «aloqalar», «xususiyatlar».

Ob'ektlar – tizimning bir bo'lagi yoki komponentlari bo'lib, jismoniy, matematik o'zgaruvchan tenglamalar, qoida va qonunlar, texnologik jarayonlar, axborot jarayonlari, ishlab chiqarish bo'linmalari kabi ko'plab cheklanmagan qismlarga ega.

- **Xulosa va takliflar (Conclusion/Recommendations).** Axborot tizimining funksional qismi har doim predmet soha va axborot texnologiyasi tushunchalari bilan bog'liq. Umuman olganda, texnologiya ma'lum bir jarayon sifatida har qanday predmet sohada mavjud bo'ladi. Masalan, bank tomonidan kredit berish texnologiyasi kredit turi, garov turi va boshqalarga bog'liq ravishda o'z xususiyatlariga ega bo'lishi mumkin. Bu texnologik jarayonlarni bajarish jarayonida bank xodimi tegishli axborotni qayta ishlaydi. Iqtisodiy va boshqaruv masalalarini hal qilish har doim bu masalani yechilishi uchun zarur bo'lgan axborotni yig'ish, uni bir qancha algoritmlar bo'yicha qayta ishlash va qaror qabul qiluvchi shaxsga qulay shaklda uzatish bo'yicha bir qator operatsiyalarni bajarilishi bilan bog'langan. Ko'rinib turibdiki, ma'lumotlarni qayta ishlash qo'lda bajarilganda ham qaror qabul qilish texnologiyasi axborotiy asosga ega. Shu bilan birga boshqaruv jarayoniga hisoblash texnikasi vositalarini joriy qilish bilan birga **axborot tizim** degan maxsus termin paydo bo'ldi.

O'zbekiston Respublikasi "Axborotlashtirish to'g'risidagi" qonunda quyidagi ta'rif keltirilgan:

Axborot tizimi - axborotni to'plash, saqlash, izlash, unga ishlov berish hamda undan foydalanish imkonini beradigan, tashkiliy jihatdan tartibga solingan jami axborot resurslari, axborot texnologiyalari va aloqa vositalari.

Axborot tizimini ishlab chiqishdan maqsad – tashkiliy loyihalashtirish, texnologik va hokazo jihatlarini hisobga olgan holda tizim faoliyatining samaradorligini oshirishdir.

Foydalanilgan adabiyotlar ro‘yxati:

1. ABDURAZZOQOV, I. (2024). vUMUMTA'LIM MAKTABLARIDA INFORMATIKA VA AXBOROT TEXNOLOGIYALARI FANINI O'QITISH METODIKASINI TAKOMILLASHTIRISH. *News of UzMU journal*, 1(1.3. 1), 61-65.
2. Rustamovich, A. I. (2024). INFORMATIKA FANIDAN INNOVATSION O'QITISH USULLARI. *World scientific research journal*, 25(1), 86-90.
3. Rustamovich, A. I. (2022). FRANSIYA VA AVSTRALIYA DAVLATLARIDA INFORMATIKA VA AXBOROT TEXNOLOGIYALARI FANINING RIVOJLANISHI, O'QITISHDA QO'LLANILADIGAN METODLAR. *World scientific research journal*, 8(1), 123-126.
4. Rustamovich, A. I. (2022). RIVOJLANGAN XORIJIY MAMLAKATLARDA INFORMATIKA VA AXBOROT TEXNOLOGIYASI FANINING O'RNI. *PEDAGOGS Jurnali*, 20(1), 58-61.
5. ABDURAZZOQOV, I. (2024). vUMUMTA'LIM MAKTABLARIDA INFORMATIKA VA AXBOROT TEXNOLOGIYALARI FANINI O'QITISH METODIKASINI TAKOMILLASHTIRISH. *News of UzMU journal*, 1(1.3. 1), 61-65.
6. Rustamovich, A. I. (2024). INFORMATIKA FANIDAN INNOVATSION O'QITISH USULLARI. *World scientific research journal*, 25(1), 86-90.
7. Shuxratovich, E. U., & Rustamovich, A. I. (2024). INFORMATIKA VA AXBOROT TEXNOLOGIYALARI FANIDA "BULUTLI TEXNOLOGIYALAR" ORQALI O'QITISH (XORIJIY DAVLATLAR MISOLIDA). *World scientific research journal*, 25(1), 79-85.
8. Abdurazzoqov, I. R. (2023). XORIJIY DAVLATLAR TAJRIBASI ASOSIDA INFORMATIKA TA'LIMI SAMARADORLIGINI OSHIRISHGA QARATILGAN TEXNOLOGIYALAR. *SCHOLAR*, 1(28), 323-328.
9. Yuldashev, U., Abdurazzokov, I., & Tursoatov, B. (2022). EXPERIENCE OF FOREIGN COUNTRIES IN TEACHING INFORMATICS AND INFORMATION TECHNOLOGIES. *Scientific Collection «InterConf»*, (107), 104-108.
10. САТТОРОВ, С. (2023). ДАРС ЖАРАЁНИДА ЎҚУВЧИЛАР ОНГЛИ ИНТИЗОМЛИЛИГИНИ РИВОЖЛАНТИРИШНИ УСЛУБИЙ АСОСЛАРИ. *Journal of Pedagogical and Psychological Studies*, 1(6), 3-8.
11. Sattorov, S. Disiplin va "magistratura" dyadasi FAN VA INNOVatsiyalar XALQARO ILMIY JURNALI 2 JIM 5 MAY 2023 YIL UIF-2022: 8.2| ISSN: 2181-3337| OLIMLAR. UZ <https://doi.org/10.5281/zenodo.7949575>

СИЙДИК ТОШ KASALLIKLARI VA ULARNI DAVOLASHDA QO'LLANILADIGAN DISTANSIYALI ZARB-TO'LQINLI LITOTRIPSIYA

Samarqand Davlat Tibbiyot Universiteti talabalari:

2 -son Davolash ishi 8 patok 433-guruh talabasi

Ismoilov Farrux Dilshodovich

2 -son Davolash ishi 2 patok 410-guruh talabasi

Razzoqov Olimjon Safar o'g'li

2 -son Davolash ishi 8 patok 433-guruh talabasi

Buronova Fotima Zoir qizi

Ilmiy raxbar: SamDTU Uralogiya kafedrasida dotsenti

Shodmonova Zebiniso Raximovna

Annotatsiya: Siydik-tosh kasalligi – bu endogen yoki ekzogen sabablarga ko'ra yuzaga kelgan, jumladan irsiy harakterga ega bo'lgan modda almashinuvining buzilishi tufayli yuzaga kelgan, buyrak va siydik yo'llarida toshlarning paydo bo'lishi bilan harakterlanuvchi kasallikdir. Siydik tosh kasalligi (urolitioz) anchagina ko'p tarqalgan kasallikdir. Mumiyolangan murdalarni (qadimiy eramizdan 350-400 yillar avval) tekshirish natijasida topilgan buyrak toshlariga ko'ra, bu kasallikning naqadar qadimiy ekanligi to'g'risida xulosa qilish mumkun. Siydik tosh kasalligi dunyoning barcha davlatlarida ham uchraydi. Ba'zi viloyatlarda siydik tosh kasalligining ko'p tarqalganligi, uning kelib chiqishida tashqi muhitning ta'siri borligidan dalolat beradi.

Kalit so'zlar: kristallizatsion, matritsa, kolloid, formal genez, kauzal genez, mochevina, kreatinin, siydik kislota toshlari (uratlar), oksalat toshlari, fosfat toshlari (infitsirlangan), sistin toshlar, aralash toshlar, kontaktli litotripsiya, buyrak toshlarini ultratovush yordamida maydalash, pnevmatik, lazer, kalkulyoz piyelonefrit, obstruksiya.

Siydik-tosh kasalligi – keng tarqalgan kasallik bo'lib, u jahonning deyarli barcha davlatlarida ma'lum bir darajada uchraydi. Tarkalganligi buyicha siydik yo'llaridagi yallig'lanish kasalliklaridan sung ikkinchi o'rinda turadi. Toshlar siydik ajratish tizimlarining barcha qismida: kosachalarda, jomda, siydik naylarida, qovuqda va siydik chiqarish kanalida joylashadi. Ko'p hollarda toshlar buyraklarning birortasida hosil bo'ladi, lekin 9–17 % hollarda siydik –tosh kasalligi ikki tomonlama xarakterga ega. Buyrakda toshlar bitta va ko'p bo'ladi (ko'p toshlar ko'pincha g'ovaksimon buyrakda kuzatiladi). Kuzatuvlardan ma'lumki, ba'zan buyrakda 5000 ta gacha tosh topilgan. Toshlar har xil kattalikda 1 mm dan 10 sm gacha va undan katta, massasi 1000 gr gacha bo'ladi.

Hozirgi vaqtda siydik-tosh kasalliklari patogenezining yagona nazariyasi mavjud emas. Bu nazariyalarning asosiylari: 1- **kristallizatsion**, 2-**matritsa** , 3- **kolloid** nazariyalardir. Tosh hosil bo'lishini tushuntirib beruvchi ikki xil jarayon, formal va kauzal genez farqlanadi.

Formal genez. Kristallizatsion nazariyaga muvofiq, tosh hosil bo'lish jarayoni kristallizatsiya qoidalariga bo'ysunadi. Bu jarayonda matritsa hech qanday ahamiyat kasb etmaydi va tasodifiy qismlardan tarkib topadi deb hisoblanadi.

Kauzal genez. Kolloidlar nazariyasiga ko'ra, tosh paydo bo'lishining birinchi va muhim bosqichi bo'lib, tosh organik matritsasining hosil bo'lishi hisoblanadi, siydik tuzlarining unga kristallanishi esa ikkilamchi jarayon hisoblanadi. Kristallanish boshlanishi uchun amalda normal sharoitlarda ham ko'pincha siydik tosh hosil qiluvchi moddalar bilan to'yingan bo'ladi (ko'p ovqat yeyish, og'ir jismoniy mehnat va hk.), lekin tosh hosil bo'lmaydi.

Hozirgi vaqtda bir qator moddalar aniqlangan bo'lib, ular tuzlarning erigan holatda turishiga va kolloid stabilligiga ta'sir qiladi va aksincha ularning yo'qligi tuzlar kristallanishini chaqiradi. Normal siydikda bu moddalar qatoriga mochevina, kreatinin, gippuron kislotasi, natriy xlorid, sitratlar, magniy, anorganik pirofosfat va boshqalar kiradi. Bunday moddalar **solbulizator** lar deyiladi.

Ekzogen etiologik omillar

1. Iqlim, tuproqning biogeokimyoviy tuzilishi, suv va floraning fizik-kimyoviy xusu siyati, aholining ovqatlanish va suyuqlik ichish tartibi. 2. Ishlash sharoiti (zararli ishlab chiqarish, issiq sex, og'ir jismoniy mehnat va b.) va turmush tarzi (bir xil, kam harakatli hayot va dam olish tarzi).

3. Tosh hosil bo'lishida protektorlar konsentratsiyasiga, pH, diurez va shu kabilarga ta'sir qiluvchi, tosh hosil qiluvchi moddalarni ovqat bilan haddan tashqari ko'p iste'mol qilish.

4. A va B guruh vitaminlarining yetishmasligi.

5. Endogen etiologik xavf omillari juda har xil tabiatli bo'lishi mumkin. Bularga ham mahalliy urologik xavf omillari, ham umumiy xavf omillari hamda bemorning interkurrent kasalliklari kiradi.

Endogen etiologik omillar

Urologik omillar:

1. Siydik yo'llarining mahalliy tug'ma va orttirilgan o'zgarishlari (siydik oqimining buzilishiga va gidronefrozga olib keluvchi torayishlar, qo'shimcha tomirlar);

2. Yagona (yolg'iz funksiya qiluvchi) buyrak;

3. Qovuq-siydik nayi (buyrak) reflyuksi;

4. Siydik yo'llari anomaliyalari g'ovaksimon, taqasimon buyrak, ureterotsele, bog'langan kosacha;

5. Siydik yo'llari infeksiyasi.

Umumiy omillar:

1. Defitsit holat, bir qancha fermentlarning yo'qligi yoki giperproduksiyasi - giper-paratireoz, podagra;
2. Uzoq muddatli yoki to'liq immobilizatsiya (umurtqa pog'anasining, chanoq suyaklarining va sinishi b.);
3. Me'da-ichak trakti, jigar va o't yo'llari kasalliklari; 4. Ichak rezeksiyasi, ingichka-yo'g'on ichak anastomozlari;
5. Kron, Pejet, Bek kasalliklari;
6. A, C vitaminlari, sulfanilamidlarni ortiqcha buyurish;
7. Sarkoidoz, leykemiya va suyaklarning metastatik zararlanishi.

Yuqorida sanab o'tilgan omillar buyraklarda tosh hosil bo'lishiga olib keladi, toshlar bugungi kunda ximiyaviy tarkibiga ko'ra quyidagicha sinflanadi: siydik kislota toshlari (uratlar) – sarg'ish-jigarrang, zich konsistentsiyali, silliq yoki donador yuzali;

oksalat toshlari – to'q qo'ng'ir rangda, deyarli qora, juda zich, g'adir-budir yuzali, "tikonlar" bilan qoplangan;

fosfat toshlari (infitsirlangan) – oqish-kulrang, yumshoq, oson yemiriladi, yuzasi g'adir-budir;

aralash toshlar – yadrosi boshqa tuzdan, pardasi esa boshqa tuzdan paydo bo'lgan;

sistin toshlar – yorqin-jigarrang tusda, silliq yuzali, eng zich toshlardir.

Toshlarning strukturasi organizmda kechayotgan moddalar almashinuvi buzilishini baholashda ahamiyatli bo'lib, STK metafilaktikasi chora-tadbirlarini ishlab chiqishga imkoniyat beradi. Hozirgi kunda toshlarning fizik-kimyoviy hususiyatlarini bilish distantsion va qontakt endoskopik litotripsiya ko'rsatmalari va usullarini to'g'ri ishlab chiqish imkonini beradi.

Siydik-tosh kasalliklarining tashxislash.

Labarator tekshiruvlar:

Siydik taxlili (yoki indikator qog'oz testi):

- eritrotsitlar
- leykotsitlar
- bakteriyalar (nitrit testi)
- siydikning pH muxiti

Kon zardobidagi kreatinin miqdori.

Tana xarorati yuqori bo'lganda:

- S-reaktiv oksil
- qondagi leykotsitlar
- siydikning bakteriologik ekmasi

Instrumental tekshirish usullari:

1. Ultratovushli tekshiruv.
2. Buyraklar, siydik naylari va qovuq umumiy urografiya.
3. Ekskretor urografiya.
4. Kompyuter tomografiya .

Siydik-tosh kasalliklarini davolash :**Konservativ;**

- 1)dieta
- 2)spazmolitiklar
- 3)uroseptiklar
- 4)diuretiklar
- 5)Sanator-kurort davo
- 6)antibiotiklar
- 7)Lorin-Epshteyn bo'yicha novokain blokada

Operativ – toshni olib tashlash;

Har qanday operativ davolash siydik-tosh kasalligi- ni davolashda etiologik usul bo'lmaydi, chunki tosh hosil bo'lishining sababini bartaraf qilmaydi, u faqat bemorning toshdan qutulishiga qaratilgan bo'ladi.

LITOTRIPSIYASI (TOSHLARNI OLIB TASHLASH)

Siydik chiqarish kanalining kontaktli litotripsiyasi (tosh olib tashlash) qovuqdagi toshlarni maydalash va olib tashlashning zamonaviy noinvaziv usuli hisoblanadi. Litotripsi urolitiyozni davolash uchun qorin bo'shlig'idagi jarrohlik amaliyotiga xavfsiz alternativ hisoblanadi. Litotripsi - bu urolitiyozda har qanday turdagi toshlarni kontaktsiz yo'q qilishning yuqori texnologiyali usuli. Lazerli litotripsiya mini-video kamera va maxsus lazer prob, litotripter yordamida siydik yo'llari orqali toshga o'tkaziladi. Litotripter yordamida tosh yo'q qilinadi, kichik bo'laklarga va qumga aylanadi.

Endoskopik vizual nazorat siydik yo'llari yoki buyraklarning istalgan qismida toshni maydalash va tashqaridagi tosh bo'laklarini butunlay olib tashlash imkonini beradi.

Kontaktli litotripsiya 3 usulda amalga oshiriladi:

- Buyrak toshlarini ultratovush yordamida maydalash - past zichlikdagi toshlarni olib tashlash uchun ishlatiladi;
- Lazer. U eng ko'p qirrali hisoblanadi, chunki har qanday zichlikdagi toshlardan xalos bo'lishga imkon beradi;
- Pnevmatik. Siqilgan havo impulslari toshlarni maydalash uchun ishlatiladi. Yuqori zichlikdagi toshlar uchun mos emas

Tanlangan usuldan qat'i nazar, ta'sir faqat toshlarga ta'sir qiladi va to'qimalar buzilmagan holda qoladi. Operatsiyaning davomiyligi odatda bir soatdan oshmaydi.

Operatsiya odatda mahalliy og'riqsizlantirish ostida amalga oshiriladi, bu to'liq behushlikdan ko'ra kamroq zararli. Jarayon davomida siydik yo'lga optik tizimga ega maxsus qurilma (uretroskop) kiritiladi, u monitorda tasvirni ko'rsatadi. Keyin toshga zond keltiriladi, u toshlarni maydalaydi. Toshlarni to'liq olib tashlash uchun kontaktli litotripsiyaning bir seansi kifoya qiladi.

1980 yildan klinik amaliyotda ham bolalarda, ham kattalarda siydik toshlarini mayda bo'laklarga parchalash, hech qanday asbob-uskunalarni ishlatmasdan mustaqil chiqib ketishiga imkon beruvchi toshlarni olib tashlash usuli - distansiyali zarb-to'lqinli litotripsiya qo'llanila boshladi. Kontaktli elektrogidravlik litotriptor prinsipi zarb-to'lqinlar toshni faqat u bilan kontaktda bo'lganda parchalashga asoslanadi. Nemis olimlari maxsus reflektor ishlab chiqdilar, bu zarb-to'lqinlarni ma'lum bir masofadan uzatish va bemorning tanasidagi toshni parchalash imkonini beradi. Distansiyali litotripsiyaning joriy qilinishi toshlarni parchalashda va olib tashlashda yuqori natijalarga erishish va siydik-tosh kasalligini davolashda kuzatiladigan asoratlar miqdori va xarakterini anchagina kamaytirish imkonini berdi.

Zarb-to'lqinlar butunlay shikastlantirmaydi deyish mumkin emas. Buyrakda stress, lat yeyish ro'y beradi, ular, ko'pincha, 5-7 sutka davomida bartaraf bo'ladi. Har bir aniq vaziyatda mumkin bo'lgan energiyaning va qo'llanilgan impulslar sonining me'yordan oshishi buyrak to'qimasiga qo'polroq ta'sir qilishga, hujayralar tuzilishining o'zgarishigacha olib kelishi mumkin. Zarb-to'lqinli impulslar uchun siydik toshlarining fizik-kimyoviy xususiyatlari anchagina ahamiyatga ega. Masalan, kattaligi 1 sm bo'lgan bir xil tarkibli tosh - kalsiy monogidratni parchalashga 3000 tagacha impuls kerak bo'ladi, shunday kattalikdagi aralash tarkibli tosh 1000 ta impuls orqali ozgina energiya qo'llash bilan parchalanadi. Yuqori qattqlikka ega bo'lgan sistin toshlari qiyinlik bilan, bolalardagi siydik toshlari oson parchalanadi. Energiyaning ma'lum bir masofadan uzatilishi va saqlanishining zarurriy talabi bir xil muhit bo'lishidir. Chunki odam to'qimasining asosini suv tashkil qilganligi uchun zarb-to'lqin hosil qiladigan manba va bemor tanasi orasida hamma litotriptorlarda suvli xaltacha mavjud bo'lishi va bu orqali zarb-to'lqin bemor tanasiga kirishi lozim.

Hamma litotriplar ikkita tizimli nishonlash ultratovush va rentgenli qurilma bilan ta'minlangan.

Distansiyali zarb-to'lqinli litotripsiya hozirgi kunda yagona usul bo'lib, uni asoratlanmagan toshlarda ambulator sharoitida ishlatish mumkin. Bu usulning invaziv bo'lmaganligi va kam shikastlashiga qaramasdan, davolash turini tanlashda buyrak funksiyasining dastlabki holati muhim ahamiyatga ega. Buyrak funksiyasi pasayganda uning to'qimasi, unda chandiqli jarayonlar rivojlanishi sababli, katta qattqlikka va kam elastiklikka ega bo'ladi. Bunday sharoitda zarb-to'lqin impulsleri unga ko'p

shikastlanish ta'sirini ko'rsatadi. Buyrakning funksiyasi 60% dan ko'proq yo'qolganda, hatto, 1 sm gacha kattalikdagi toshlarni maydalashda kapsula ostidagi yoki paranefral gematoma holdagi shikastlanish bo'lishi mumkinligi xavfi bilan bog'liq. Kalkulyoz piyelonefrit (bakteriuriya titri 105 va yuqori) qo'shilib kelgan bemorlarga distansiyali litotripsiyani qo'llaganda operatsiyadan keyingi dastlabki vaqtlarda o'tkir piyelonefrit rivojlanishi mumkin.

Yuqorida keltirilgan ma'lumotlar shuni ko'rsatadiki, toshni maydalash uchun buyrakni oldindan yaxshilab tayyorlash zarur.

Eng muhim davr tosh bo'laklarining ichki ta'sir natijasida o'z-o'zidan chiqishidir, bu buyrakdan siydik passajining qisqa muddat buzilishiga olib keladi. Shu sababli, distansiyali litotripsiya o'tkazilishidan oldin ikkinchi buyrakning funksiyasi to'g'risida to'liq ma'lumot olinishi shart.

Distansiyali litotripsiya qilishdan oldin, yagona buyragi va infeksiyalangan toshlar bo'lgan bemorlarda obstruktiv asoratlari paydo bo'lishi mumkinligi sababli, ichki stent o'rnatish maqsadga muvofiqdir. Ichki stent faqat tosh mayda bo'lakchalarga bo'linganligi va ko'p miqdorda qum chiqqanligiga ishonch hosil qilgandan keyin olinadi.

Toshning samarali maydalanganligining asosiy talabi uni ikkita rentgen televizor pozitsiyasi bo'yicha zarb-to'lqin fokusida toshni aniq joylashtirishdir. Monitoring bittasidan tosh yomon ko'rinsa yoki uni aniq boshqarish imkoni bo'lmasa, distansiyali litotripsiya o'tkazish to'g'ri kelmaydi.

Distansiyali zarb-to'lqinli litotripsiyaning joriy qilinishi bilan ochiq operatsiyalar qilish vaqtida bemorning buyragi uchun shikastlanish xavfi yuqori bo'lgan toshlarning hamma bo'laklarini qidirish va olishni amalga oshirmaslik imkoniyati paydo bo'ldi. Bunday operatsiyadan keyin qolgan toshlarni, operatsiyadan keyingi davr silliq kechganda 12-15 kundan keyin va asorat bilan kechganda esa 18-22 kunda distansiyali zarb-to'lqinli litotripsiya qilish mumkin.

Amaliyot shuni ko'rsatadiki, distopiyalangan g'ovakli buyrak va nefrokalsinoz bo'lgan bemorlar uchun distansiyali zarb-to'lqinli litotripsiya toshlarni olib tashlashda eng kam shikastlaydigan va yuqori samara beradigan usul hisoblanadi. Buyragi ko'chirib o'tkazilgan bemorlardagi toshlarga ham distansiyali zarb-to'lqinli litotripsiya qilganda nojo'ya ta'siri kuzatilmaydi. Bu usul buyragi, yuragi ko'chirib o'tkazilgan va, hatto, infarkt, insultni boshidan kechirgan, aortokoronar shunt qilingan bemorlarga ham muvaffaqiyatli qo'llanilmoqda. Homilador ayollarda siydik-tosh kasalligini davolaganda buyrakni teri orqali o'rnatilgan nefrostomik drenaj yoki ichki stent qo'yish orqali drenajlash zarur. Distansiyali zarb-to'lqinli litotripsiya siydik nayining har qanday qismida tosh bo'lgan bemorlarni davolash uchun keng qo'llanilmoqda. Bir marta qilinadigan litotripsiyaning bitta joyda uzoq turgan toshlardagi samarasi 60-67% ni tashkil qiladi. Agar birinchi seans ijobiy samara bermasa, buyrakni oldin kateter

bilan drenajlab, keyin ikkinchi seansni boshlash kerak, bu toshni aylanib o'tish yoki uni qaytarib buyrakka <<olib borish>> imkonini beradi.

Distansiyali zarb-to'lqinli litotripsiyani o'tkazgan bemorlar bilan muqobil usulda toshlari olingan (ochiq operatsiya, endoxirurgiya) bemorlarni operatsiyadan keyingi davolash bir-biridan katta farq qiladi. Farq qiladigan tomoni parchalangan tosh bo'laklarining spontan chiqishi bo'ladi. Bu jarayonni hamma vaqt ham dori-darmonlar yoki boshqa korreksiya bilan boshqarib bo'lmaydi, ko'pincha, bemor organizmining individual xususiyati, operatsiyaga siydik ajratish tizimini va hamma tizimlarning tayyorgarligi bilan oldindan belgilanadi.

E'tiborga olish zarurki, siydik toshlarini parchalaydigan zarb-to'lqinlar buyrak parenximasiga ma'lum darajada shikastlovchi ta'sir ko'rsatadi, siydik yo'llarida parchalangan toshlardan qolgan bo'lakchalar va qum yuqori siydik yo'llarida u yoki bu darajada namoyon bo'ladigan obstruktiv omilni kuchaytiradi yoki saqlab qoladi. Operatsiyadan keyingi davrda qo'llaniladigan dori-darmonlarni buyurishda quyidagi asosiy maqsadni ko'zda tutish kerak:

- a) qo'shilib keluvchi siydik infeksiyasini bartaraf qilish;
- b) mikrosirkulyatsiya va siydik ajralishini yaxshilash;
- c) zarb-to'lqinli ta'sirga javoban buyrak parenximasidagi nospetsifik yallig'lanish reaksiyasini kamaytirish;
- d) lipidlarning peroksid oksidlanish jarayonini sekinlatish;
- e) yuqori siydik yo'llarining urokinamikasini yaxshilash;
- f) parchalangan toshning bo'laklari va qumning chiqishini tezlashtirish.

Fitoterapiya (avisan, olimetin, marelin, kanefron, fitolit, siston, fitolizin, niyeron, gejobelling va b.) va boshqa hamma dorilar bilan davolashni ko'p sonida suyuqlik ichish, bemorning faol ko'p harakat qilishi, fizioterapevtik muolajalar (diatermiya toklari, vibro- va lazeroterapiya va b.) qo'llash va balneologik terapiya (borjomi, turuska- ves, slavyanovsk va boshqa mineral suvlar) fonida o'tkaziladi.

Distansiyali litotripsiyaning asoratlari ularning kelib chiqish mexanizmiga qarab 2 guruhga bo'linadi:

- 1) operatsiya vaqtidagi, buyrak parenximasiga zarb-to'lqin impulslari energiyasining to'g'ridan-to'g'ri ta'siri bilan bog'liq;
- 2) operatsiyadan keyingi, parchalangan tosh bo'laklarining spontan chiqishi bilan bog'liq.

Bunday bo'linish shartli, chunki ko'p hollarda, bu ikkala omil, odatda, bir-biriga bog'liq bo'ladi.

Buyrak sanchig'i, ko'pincha, tosh bo'laklari chiqqanda paydo bo'ladi. Uni og'riq qoldiruvchi dori-darmonlar va nar-kotik analgetiklar bilan, ayniqsa, yurak-qon tomir va boshqa interkurrent kasalliklar qo'shilib kelgan bemorlarda to'xtatib bo'lmasa, bunga asorat sifatida qaralishi kerak. Bunday hollar siydik nayini va jomni kateterlash

yoki punksi- yali nefrostomiya qilish yo'li bilan siydik oqimini tiklashga ko'rsatma bo'ladi.

Obstruksiya (to'silish), odatda, siydik nayining fiziologik toraygan joylarida katta tosh bo'lak- laridan (0,5 sm gacha) «toshli yo'lakcha» yig'il- ganda paydo bo'ladi . 67-75% hollarda obstruksiya distansiyali litot- ripsiyani takroriy seans o'tkazish bilan bartaraf qilinadi, uni obstruktiv piyelonefrit, pereuretrit va tosh bo'laklari turgan zonada siydik nayining shishi rivojlanishini kutmasdan bajarish kerak. Siydik nayining «toshli yo'lakchalarida» dori-darmonlar bilan va fizioterapevtik komp- leks davolash muddati cheklangan bo'lishi kerak. Klinik-laborator ma'lumotlar bilan tasdiqlan- gan, rivojlanayotgan piyelonefritning birinchi alomatlarida buyrakni drenajlash, kateterlash, ichki stent qo'yish yoki punksiyali nefrostomiya o'rnatish kerak.

O'tkir obstruktiv piyelonefrit - eng xavfli aso- rat. U kuzatuvlarning 4,8-8,2% da rivojlanadi. O'tkir obstruktiv piyelonefritning klinik ko'rinishi rivojlanganda, buyrakda ko'p son- da parchalangan tosh bo'laklarining borligi va kosacha-jom tizimining kengayishi, ayniq- sa erkaklarda ultratovush nazorati ostida, teri orqali punksiyali nefrostomiya qilishga ko'rsat- ma bo'ladi, holbuki ayollarda bunday vaziyatda ko'pincha buyrak jomini siydik nayi kateteri yoki ichki stent qo'yish bilan kateterlash mum- kin. Konservativ davolash detoksikatsiyaning samarali usullarini (azonoterapiya, natriy gipoxlorid kiritish va b.) qo'llash bilan faol olib borilishi kerak. Buyrakni drenajlash imkoni bo'lmagan- da, yallig'lanishga qarshi kompleks davolash samara bermaganda, ochiq operatsiya qilish usullaridan (buyrakni reviziya qilish, nefrostomiya, buyrak dekapsulyatsiyasi) foydalaniladi. Operatsiya vaqtida buyrakda va siydik nayining yuqori uchdan birida ko'ringan tosh bo'laklari mumkin qadar olib tashlanadi.

Xulosa: Siydik-tosh kasalligi moddalar almashinuvi kasalligi. Irsiy xarakter bilan birga har xil endogen va/yoki ekzogen sabablar oqibatida paydo bo'lib, buyraklar va siydik yo'llarida toshlar borligi bilan xarakterlanadi. Ko'pgina olimlarning ma'lumoti bo'yicha ovqatlanish xarakteri, ijtimoiy yashash sharoitining o'zgarishi va odam organizmiga to'g'ridan-to'g'ri ta'sir ko'rsatuvchi noqulay ekologik omillarning ko'payishi natijasida siydik-tosh kasalligining uchrashi, keyinchalik, o'sib borish tendensiyasiga ega. Siydik-tosh kasalligining tibbiy-ijtimoiy ahamiyati sababi shundan iboratki, u barcha yoshdagi guruhlarda uchraydi, 65-70% mehnatga layoqatli 20-60 yoshdagilarda tashxislanadi. Dunyoning ko'pgina mamlakatlarida, shular qatorida O'zbekistonda ham hamma urologik kasalliklarning 32-40% da siydik – tosh kasalligi tashxislanadi. Bu kasalliklarining asosiy negzida moddalar almashinuvining buzilishi turganligi sababli siydik TOSH kasallikkarini oldingi oshishi uchun asosiy e'tiborni moddalar almashinuvini to'g'rilash va sog'lom ovqatlanishga qaratish lozim.

Foydalanilgan adabiyotlar ro'yxati:

1. UROLOGIYA. Akilov F.A., Begaliev U.E., Muxtarov Sh.T., Mirxamidov J.X., Xudoyberdiev X.B. Toshkent - 2011. - 810 s.
2. Boshlang'ich urologiya. Allazov S. A. Yalg'ashev F.Q. Toshkent 2021 y.
3. Urologiya. Shodmomoov A.Q., Akilov F.A., Rustamov U.M., Tillaboev R.S., O'sarov N.Q., 4. Soliev A.R. Andijon - 2008 .
4. Pushkar D.Yu. Urologiya. Darslik, 2-nashr. Moskva. GEOTAR-Media, 2017.
5. Alyaev Yu.G., Glybochko P.V., Pushkar D.Yu. Urologiya. rus.
6. Harbiy shifokor amaliyotida shoshilinch urologik yordam. Bu I.P. Shevtsov, Yu.D. Gluxov. (z-lib.org).
- 7 "Campbell-Walsh Urology" by Alan J. Wein, Louis R. Kavoussi, et al.
- 8."Smith & Tanagho's General Urology" by Jack W. McAninch and Tom F. Lue.
10. "Clinical Manual of Urology" by Philip M. Hanno and John W. Denstedt.
11. "Urology Board Review Pearls of Wisdom" by Stephen W. Leslie and Noah S. Schenkman.

О'ТКИР HOSHIMOVNING HAYOTI VA IJODI VA UNING ADABIY ESTETIK QARASHLARI

Akramova Dilshoda Anvarjon qizi

Andijon Davlat Chet Tillari Instituti.

Xorijiy til va adabiyoti fakulteti 209-guruh talabasi

ANNOTATSIYA

Maqola O'rkir Hoshimovning hayoti va uning asarlari haqida malumot beradi. Shuningdek, yozuvchining XX asr o'zbek adabiyotiga qanday kirib kelishi nasri rivojiga qo'shgan hissasi va uning estetik qarashlari, qarashlarini shakllaninishi yoritib beriladi.

Kalit so'zlar: *Badiiy asar, g'oya, estetik qarashlar, uslub, qissa, roman, hikoya, ijodkor, yozuvchi.*

ANNOTATSIYA

The article provides information about the life and works of Orkir Hashimov. Also, how the writer entered the Uzbek literature of the 20th century, his contribution to the development of his prose, and the formation of his aesthetic views and views are explained.

Key wods: *A work of art, an idea, aesthetic views, a style, a short story, a novel, a story, a creator, a writer.*

АННОТАЦИ

В статье представлены сведения о жизни и творчестве Оркира Гашимова. Также объясняется, как писатель вошел в узбекскую литературу XX века, его вклад в развитие его прозы, формирование его эстетических воззрений и воззрений.

Ключевые слова: *Художественное произведение, идея, эстетические взгляды, стиль, рассказ, роман, повесть, творец, писатель.*

KIRISH

Elimiz suygan taniqli ijodkor, O'zbekiston xalq yozuvchisi, el dardini oz dardi deb bilgan, betakror qalam sohibi o'zbek adabiyotida o'zining o'chmas izini qoldirib ketdi. O'tkir Hoshimov badiiy ijodda hikoya, qissa, romanlar rivojiga, shuningdek publistikada esa betakror sarmahsul maqolalari, adabiy-qaydlari, adabiy portred, suhbat janridagi barakali ijodi va o'zgacha yozuv usuli bilan boshqalardan ajralib turadi.

ASOSIY QISM

O'tkir Hoshimov 1941-yili 5-avgustda Toshkentning Do'mbirobod mahallasida tug'ilgan. Toshkent Davlat Universiteti filologiya fakultetida o'qigan. Turli tahririyat

va nashriyotlarda ishlagan. Shuningdek, u Oliy Majlisda qo'miya raisi vasifanini ham bajargan.

Yozuvchining bolaligi urush va urushdan keying davrlarga to'g'ri keldi. "O'sha davrda non tanqis bo'lgani bilan kutubxonalarda kitob ko'p edi",- deya eslaydi yozuvchi.¹ Shuni ham aytib o'tish kerakki, O'tkir Hoshimov ko'proq kitob o'qish uchun pochta xat tashuvchi bo'lib ham ishlagan.

Yozuvchini ijodiga nazar solsak, u ijodini 1962-yilda "Po'lat chavandoz" nomi bilan ilk ocherklar to'plami bilan boshlagan. Lekin shuni ham aytish kerakki, yozuvchiga mashhurlik olib kelgan asar boshqa edi. Asar 1970-yilda nashrdan chiqarilgan "Bahor qaytmaydi" qissasi bo'ldi.²

Bu asar o'sha davrda oddiy insoniy munosabatlar haqidagi asar bo'lib boshqa ko'plab asarlardan ajralib turardi. Chunki o'tgan asrning 70-yillarida ko'p yozuvchilar mafkura targ'ibotda iborat asarlar nashrdan chiqar edi. Shuningda bu asar asosida suratga olingan videofilm o'z davrida ko'plab tomoshabinlarga ega bo'lgan.

Shuningdek, XX asr ikkinchi yarmini o'zbek adabiyoti, aniqrog'i, nasri rivojida O'tkir Hoshimovni munosib o'rni bor. Mustabid tuzum sharoitida yozuvchi o'zining estetik qarashlarini ochiq oydin va ro'yi-rost bayon qila olganligi bilan ajralib turadi. Yozuvchi o'z asarlarida hamisha haq gapni aytgani uning ijodiy konsepsiyasi sifatida aks etadi.³

Yozuvchini boshqalardan farq qilib turadigan badiiy estetikasini uning ilk asarlaridan ham sezish mumkin. Misol uchun uning ilk asarlaridan biri bo'lgan "To'rt maktub" hikoyasini oladigan bo'lsak, hikoyada o'zbek xalqini ruhiy va jasadiy kuchini, do'stligini, hamkorligini va munosabatlarini ikki do'st o'rtasidagi maktublar orqali ochiq berilgan. Keyinchalik bu hikoya asosida "Cho'l havosi" qissasi yozildi. Qissa "Sharq yulduzi" da bosilgandan keyin taniqli yozuvchi Abdulla Qahhor yosh yozuvchiga "O'tkir! "Cho'l havosi"ni o'qib suyunib ketdim. Birdan lov etib alanga bilan boshlangan ijodning kelajagi porloq bo'ladi, qissa juda sof, samimiy, tabiiy, rohat bilan o'qiladi" deyiladi maktubda.⁴

XULOSA.

O'tkir Hoshimov asarlaridagi sof tuyg'ular boshqa hech qaysi yozuvchilar estetikasida uchramaydi. Yozuvchining qarashlari qahramonlar orqali ochiq-oydin o'quvchiga yetkazib beriladi. Shuningdek asarlaridagi qahramonlar qaysi davrda, qanday sharoitda yashashidan qat'iy nazar adolat va haqiqatga intilishadi va asarda og'ir bo'htonlarga uchrasa ham o'zligini, insoniy tuyg'ularini yo'qotmay saqlab

¹ <http://www.ozodlik.org/content/article/24995895.html> Taniqli o'zbek yozuvchisi O'tkir Hoshimov olamdan o'tdi.

² https://uz.wikipedia.org/wiki/O%CA%BBtkir_Hoshimov?wprov=sfla1 O'tkir Hoshimov

³ Yo'ldoshxoja Solijonov, Ro'ziyev Temur Erkinjon o'g'li maqola "O'tkir Hoshimovning adabiy-estetik qarashlari.

⁴ <https://yuz.uz/uz/news/nasrdagi-shoir-yoxud-ruhiyat-manzillari> Nasrdagi shoir yoxud ruhiyat manzillari

qoladi. Bu tuyg'ular yozuvchini soddalik bilan ifodalangan, lekin inson qalbiga kirib boruvchi yozish uslubi bilan ifodalanadi.

“Ehtimol, dunyoning bu chetida turib biro dam o'z sevgilisiga aytgan dil rozini dunyoning narigi chekkasidagi boshqa bir odam tushunmas. Ehtimol, dunyoning bu chetida turib bir odam aytgan oqilona fikrni dunyoning narigi chekkasidagi boshqa bir odam tushunmas. Biroq dunyoning bu chekkasida turib ona aytgan allaga narigi chekkasidagi go'dak bemalol orom oladi”

O'tkir Hoshimov qalamiga mansub bolgan bu parcha “Dunyoning ishlari” qissasidan olingan bo'lib bu asarni yozuvchi o'z onasiga atab yozgan. Asarda o'zbek onalari qanday fidokorligi, ularning qalbi qanchalar go'zal bo'lishi yozuvchining badiiy mahorati estetik qarashlari orqali juda ham ta'sirli ravishda ochib berilgan.

FOYDALANILGAN ADABIYOTLAR

1.[<http://www.ozodlik.org/content/article/24995895.html> Taniqli o'zbek yozuvchisi O'tkir Hoshimov olamdan o'tdi.

2.https://uz.wikipedia.org/wiki/O%CA%BBtkir_Hoshimov?wprov=sfla1 O'tkir Hoshimov.

3.Yo'ldoshxoja Solijonov , Ro'ziyev Temur Erkinjon o'g'li maqola “O'tkir Hoshimovning adabiy-estetik qarashlari.

4.<https://yuz.uz/uz/news/nasrdagi-shoir-yoxud-ruhiyat-manzillari> Nasrdagi shoir yoxud ruhiyat manzillari.

YANGI VA O'TA YANGI YULDUZLAR

*Mansurova Gulchexra Alidjonovna,
Husanova Matluba Holmatovna
Qosimova Gulmira Otaqoziyevna*

Farg'ona shahar kasb-hunar maktabi o'qituvchisi

Annotatsiya: Ushbu maqolada yulduzlar, yangi va o'ta yangi yulduzlar ularning portlashi, tarqoq va sharsimon yulduz to'dalari haqida ma'lumotlar berilgan

Kalit so'zlar: Yuluz, portlash, sharsimon to'dalar

Ko'pgina mitti yulduzlar nisbatan kichik yorqinlikka ega bo'lib, ular vaqti vaqti bilan qaytalanuvchi o'zgaruvchan chaqnash ko'rinishida bo'ladi. Bunday yulduzlarni shartli ravishda yangi yulduzlar hisoblanadi. Bu yulduzlar aslida eskidan mavjud yulduzlar bo'lib, to'satdan charaqlashi natijasida uning ravshanligi qisqa vaqt ichida o'n minglab marta ortib, kuzatuvchiga o'zini yangi yulduz sifatida namoyon qiladi. Charaqlagandan so'ng yulduz yana asta-sekin o'zining avvalgi ravshanligiga qaytadi. Yangi yulduzlar ravshanligining amplitudasi chaqnash paytida 10-13 yulduz kattaligigacha ortib, ularning yorqinliklari 400 ming martagacha o'zgarishi mumkin. Ularning portlash jarayoni zich qo'shaloq yulduzlarning o'zaro modda almashinishi natijasida ro'y beradi. Termoyadro sintezi bilan kechadigan portlash ro'y berganda, katta miqdorda energiya ajralib chiqadi va atrofida ulkan gaz tumanliklarini vujudga keltiradi. Yangi yulduzlarning chaqnashi kam uchraydigan hodisa bo'lib, chaqnash odatda bir necha kun halokatli davom etadi. Yangi yulduzlar dastlabki yorqinligiga yillar davomida qaytadi. Bu qaytish davrida ravshanlikning tebranishi kuzatiladi. Yangi yulduzning spektridagi o'zgarishlar, yulduz ravshanligining ortishiga, fotosferaning kengayishi – sirtining ortishi sabab bo'lishini ko'rsatadi. Yorqinlik maksimumga yetganda, yangi yulduzning diametri Yer orbitasi diametridan katta bo'ladi. Ravshanlik maksimal ortganda yulduzning tashqi qatlami undan ajraladi va taxminan ≈ 100 km/s tezlikda kengayib, fazoga yoyila boshlaydi. Bunday chaqnash o'ta qaynoq va nisbatan kam yorqinlikdagi yulduzlarda ko'proq kuzatiladi. Hozirga qadar fanda 300 ga yaqin chaqnagan yangi yulduz to'dalari aniqlangan. O'ta yangi yulduzlar ham yangi yulduzlar kabi o'zgaruvchan yulduzlar bo'lib, ammo ularning yorqinliklari maksimumga erishganda yangi yulduzlarga qaraganda minglab marta ravshan bo'ladi. Portlash yuz bergandan keyin 2-3 hafta o'tgach ular o'z yorqinligining maksimumiga erishadi va so'ngra bir necha oy davomida uning yorqinligi 25-30 marta kamayadi. Chaqnash davomida bu yulduzlarning umumiy nurlanish energiyasi 1041 – 1042 Joulni tashkil etadi. O'ta yangi yulduzlarning chaqnashi taxminan 100 yil ichida bir ikki martagina bo'lishi mumkin. Xitoylik astronomlar 1054 yilda Savr yulduz

turkumida chaqnagan yangi yulduzni kuzatganlar. Bu yulduzni portlashdan so'ng bir necha kungacha kunduzi ham ko'rish mumkin bo'lgan. Chaqnash paytida bu yulduz o'z tarkibidan ulkan miqdordagi moddani 6000 km/s gacha tezlik bilan yulduzlara bo'shliqqa uloqtiradi. Shuncha vaqt o'tganiga qaramay bu yulduz atrofida haligacha kengayib tarqalayotgan gaz ulkan gaz tumanligini hosil qilib, hozir bu tumanlik Qisqichbaqasimon tumanlik deb ataladi. 158 1572 yilda daniyalik astronom Tixo Brage tomonidan Kassiopeya yulduz turkumida, 1604 yilda esa Kepler tomonidan Ilon Eltuvchi yulduz turkumlarida o'ta yangi yulduzning chaqnashi kuzatilgan. Garchi o'ta yangi yulduzlarning chaqnash mexanizmiga doir masala hali uzilkesil hal etilmagan bo'lsada, biroq bu hodisa 2-3 Quyosh massasiga teng yulduzlar evolyusiyalarining oxirgi bosqichlarida vujudga keladigan nomuvozanatlikning oqibati ekanligi aniq.

Tarqoq va sharsimon yulduz to'dalari Osmon sferasida yulduzlarning zich to'dalarini topish unchalik qiyin emas. Bu to'dalar galaktik to'dalar deb atalib, oddiy ko'z bilan bir necha o'nlab yulduzlardan bir necha minglab yulduzlarni o'z ichiga olgan to'dalarni kuzatish mumkin. Yulduz to'dalarining birinchi ro'yxatini 1771 yilda fransuz astronomi Messye tuzgan edi. Ba'zi to'dalar hozirgacha uning ro'yxati bo'yicha belgilanadi. Masalan, Gerkulesdagi sharsimon to'da M 13, Messye ro'yxatidagi 13-o'rinda turadi, tumanliklar va yulduzlar to'dalarining yangi katalogida (NGC da) esa 6205-o'rinda turadi va NGC 6205 deb belgilanadi. 1930 yilda amerikalik astronom Robert Trampler yulduz to'dalarini quyidagicha parametrlar bilan harakterladi: barcha to'dalar tarkibi jihatidan to'rt sinfga bo'linadi va rim raqamlari bilan belgilanadi (konsentrasiya darajasiga qarab I to IV gacha). Har bir sinf yulduz yorqinligiga qarab yana uchta sinfchalarga ajratiladi va bu sinfchalar ingliz harflari bilan belgilanadi. Unga ko'ra, birinchi sinf yulduzlar "r" harfi ("r" – "poor" – "kambag'al") bilan belgilanib, bu to'da tarkibida 50 dan kam yulduzlar bo'ladi. Tarkibida 50-100 bo'lgan yulduzlar "m" (o'rtacha) va tarkibida 100 dan ortiq yulduzlarni jamlagan to'dalarni "r" ("rich" – boy) bilan belgilangan. Buni masalan, to'dalarning xarakteristikalariga qarab I 3p, II 1m, IV 2r va hokazo belgilar orqali aniqlash mumkin. Tashqi ko'rinishiga ko'ra yulduz to'dalari tarqoq va sharsimon to'dalarga ajratiladi. Tarqoq to'dalar Galaktika ekvatoriga yaqin atrofda joylashgan. Galaktikada taxminan 15 000 tacha tarqoq to'da bor. Ulardan eng mashhurlari Hulkar, Giadalar, Yasli, Perseydagi χ va η to'dalari va boshqalar. Tarqoq to'da diametri 2-20 parsek oralig'ida, ko'pincha 3-5 parsek atrofida bo'ladi. Yulduzlar to'dadan galaktika yadrosi va to'daga qo'shni yulduzlarning o'zaro tortishish kuchi ta'sirida to'dadan ajralib, asta-sekin fazoga tarqab ketadilar. Hisoblashlarga ko'ra, to'dadagi zichlik $\rho < 0,093 \text{ M}^{-3} \text{ nc}$ bo'lsa, to'da turg'un bo'la olmaydi, u bir necha million yilda fazoga tarqalib ketadi. Sharsimon to'dalarning tabiati va fazoda taqsimlanishi tarqoq to'dalardan tubdan farq qiladi. Sharsimon to'dalarning diametri 16-190 parsek, ularning har kub parsekiga bir necha o'n ming yulduz to'g'ri keladi. Sharsimon to'dalar

galaktikaning deyarli hamma tomonida, eng ko'pi Galaktika Markazi atrofida uchraydi. Shuning uchun sharsimon to'dalarni Galaktikaning sferik tashkil etuvchilari qatoriga qo'shiladi. Sharsimon to'da uchun "yulduz kattaligi rang ko'rsatkichi" diagrammasi bosh ketmaketlikning m o'qiga parallel tushishi bilan xarakterlanadi. Sharsimon to'dada gigant va o'tagigant yulduzlar hamda qisqa davrli sefeidalar ko'p bo'ladi. Sharsimon to'daning tipik vakili Gerkules yulduz turkumida joylashgan M-13 deb nomlangan to'da bo'lib, u 20 mingga yaqin yulduzni o'z ichiga oladi.

FOYDALANILGAN ADABIYOTLAR

1. М.Мамадзимов. "Астрономиа", О'qituvchi nashriyoti, Toshkent, 2003 y.
2. В.А.Воронсев-Веляминов. "Астрономиа", О'qituvchi nashriyoti, Toshkent, 1995 y.
3. Жанлука Рансини. «Сверхновый атлас Вселенной». "Космос". Иллюстрированный справочник с картами созвездий. Москва. Эксмо, 2008.
4. Блажко С.Н. Курс общая астрономия. Госиздат, 1947.

ОQ KARLIKLAR VA QORA O'RA

*Mansurova Gulchexra Alidjonovna,
Husanova Matluba Holmatovna
Qosimova Gulmira Otaqoziyevna*

Farg'ona shahar kasb-hunar maktabi o'qituvchisi

Annotatsiya: Ushbu maqolada yulduzlar, oq karliklar, qora o'ralar ularning portlashi haqida ma'lumotlar berilgan

Kalit so'zlar: Yulduz, portlash, oq karliklar, qora o'ralar, sharsimon to'dalar

Yerdan turib qaraganda osmon gumbazga o'xshab, havo ochiq vaqtlarda kunduzi zangori, kechalari qorong'i va yulduzlarga to'la bo'lib ko'rinadi. Mana shu yulduzlarga to'la osmonda yorqinligi, rangi va kattaligi jihatdan turlicha bo'lgan millionlab yulduzlarni uchratish mumkin. Ular orasida "o'lik" yulduzlar alohida ahamiyat kasb etadi, chunki ularning ichki tuzilishi odatdagi yulduzlardan alohida farqlanadi. "O'lik" yulduzlar tushunchasiga oq karliklar, neytron yulduzlar va qora o'ralar kiradi. Oq karliklarning ochilishi dastlab to'la jumboq bo'lib, faqat ular katta zichlikka egaligi bilan boshqa yulduzlardan farqlanar edi. Birinchi ochilgan oq karlik Siriusning jufti, juda yorqin yulduz Sirius B hisoblanadi. 1914 yilda astronomlar Sirius B ga tegishli ma'lumotlarni tahlil qilib, uning massasini 0,75 – 0,95 quyosh massasiga tengligini, yorqinligi quyosh yorug'ligidan sezilarli darajada pastligi va temperaturasi 8000o S ga yaqin, radiusi 18800 km ekanligini aniqlashdi. Sirius B ga o'xshash yana bir nechta yulduz ochilgandan keyin astronom Artur Eddington koinotda bunday yulduzlar ko'p uchraydi va oq karliklar katta zichlikdagi gazlardan tarkib topgan degan xulosaga keldi. 1926 yilda Enriko Fermi va Pol Dirak o'ta katta zichlik sharoitida gaz holatini yozib oluvchi nazariyani ishlab chiqishdi (Fermi-Dirak taqsimoti). Undan foydalanib, astronom Fauler oq karliklarning turg'un holatini tushuntirishga muvaffaq bo'ldi. Faulerining fikricha, katta tezlikda, oq karliklar ichida (qa'rida) bosimi temperaturadan umuman bog'liq bo'lmagan gaz tug'ma holatda joylashadi. Bu gaz bosimiga qarshi bo'lgan bosim kuchi oq karliklarni turg'un holatda ushlab turadi. Keyinchalik oq karliklarni o'rganishni hind olimi Chandrasekar davom ettirdi. U 1931 yilda nashr ettirgan bir ishida "oq karliklar massasi aniq limitdan yuqori bo'la olmaydi, bu ularning kimyoviy tarkibi bilan bog'liq" degan muhim fikrni ilgari surdi. Bu limit 1,4 Quyosh massasidan iborat bo'lib, olim sharafiga "Chandrasekar limiti" deb ataladigan bo'ldi. Oq karliklar kichik o'lchamdagi yulduzlardir. Ularning massasi Quyosh massasi bilan teng bo'lsa ham, o'lchami jihatidan Yer tipidagi planetalarga o'xshaydi. Radiusi taxminan 6000 km ga yaqin, Quyosh radiusining 1/100 qismini tashkil etadi. Oq karliklar massasi va o'lchamlarini taqqoslashdan bir xulosa chiqarish mumkin –

ularning zichligi juda baland. Oq karliklar katta zichligi tufayli “halokatli” yulduzlar qatoriga kiradi. Ularda yadro energiya manbalari yo’q. Vodorod yongan vaqtda qobiqlarda bosim oshib, yulduzlar yuqori qatlamining kengayishi sodir bo’ladi. Konveksiyaning tortishish zonasi rivojlanadi va yulduzlar qizil gigantga aylanadi. Yadro yaqinida harorat yuqori, atmosfera sovuq bo’ladi va buning natijasida u yuqori bosim ostida uzoqlashtirilib, gazdan tashkil topgan tumanlikka aylanadi. Yulduzning massasi qancha katta bo’lsa, uning ichidagi temperatura ham shuncha yuqori va vodorodning yonib geliyga aylanishi shuncha tez sodir bo’ladi. Yulduzning markazidagi vodorodning yonib tugashi bilan uning evolyusiyasi tezlashadi. Yulduz qizil gigantga aylanadi. Qizil gigantlarning zich va qaynoq yadrosida geliydan uglerod hosil bo’lishi reaksiyasi yuz beradi. Geliy zapasi kamayishi bilan bunday reaksiya to’xtay boshlaydi. Yulduz siqila borib zich oq karlik holatiga o’tadi. Oq karlik sirti katta bo’lmagani sababli uzoq davr nurlanib turishi mumkin. Massasi Quyoshning massasidan ancha ortiq bo’lgan yulduzlar o’z evolyusiyasini, kattaligi taxminan neytron yulduzga to’g’ri keladigan va gravitasion maydoni nurning tarqalishiga yo’l qo’ymaydigan juda zich jismga aylanishi bilan tugallaydi deb qabul qilingan. Bunday obyektlar Qora o’ralar deyiladi. Qora o’ralar va Oq karliklar turli massadagi yulduzlar evolyusiyasining oxirgi bosqichlari hisoblanadi. Agar yulduz massasi Quyosh massasidan 2-3 marta katta bo’lsa, Oq karlik yulduz hosil bo’ladi. Oq karliklarda yadro reaksiyasi bo’lmaydi. Ular ilgari to’plangan issiqlik energiyasi hisobiga nur sochadi. Galaktikada yulduz va yulduzlararo moddaning nisbati vaqt o’tishi bilan o’zgarib boradi, chunki moddaning bir qismi oq karliklarga aylanib, yulduzlarda gaz va chang kamayadi

FOYDALANILGAN ADABIYOTLAR

1. M.Mamadazimov. “Astronomiya”, O’qituvchi nashriyoti, Toshkent, 2003 y.
2. B.A.Voronsev-Velyaminov. “Astronomiya”, O’qituvchi nashriyoti, Toshkent, 1995 y.
3. Жанлука Рансини. «Сверхновый атлас Вселенной». “Космос”. Иллюстрированный справочник с картами созвездий. Москва. Эксмо, 2008.
4. Блажко С.Н. Курс общая астрономия. Госиздат, 1947

GALAKTIKALAR TURLARI

*Mansurova Gulchexra Alidjonovna,
Husanova Matluba Holmatovna
Qosimova Gulmira Otaqoziyevna*

Farg'ona shahar kasb-hunar maktabi o'qituvchisi

Annotatsiya: Ushbu maqolada Galaktikalar va ularning turlari, sferik, spiralsimon, noto'g'ri, elliptik galaktikalar haqida ma'lumotlar berilgan

Kalit so'zlar: Galaktika, spiralsimon, sferik, elliptic, radiogalaktikalar, kvazarlar

Galaktika sferik, spiralsimon, noto'g'ri, elliptik va hokazo shakllarga ega bo'ladi. Shuningdek, radiogalaktikalar, o'tagalaktikalar, metagalaktikalar, aktiv yadroli galaktikalar ham mavjuddir. Galaktika shaklini dastlab uch o'qli ellipsoid deb qabul qilish mumkin. Uning simmetriya tekisligi – galaktik tekislik taxminan Somon Yo'lining o'rtasidan o'tadi. Spiral galaktikalar qaynoq yulduzlar, sefeidlar, o'ta gigantlar, tarqoq yulduz to'dalari va gaz tumanliklaridan iborat bo'lib, bir necha yuz million yilga teng davrlar bilan aylanadilar. Spiral galaktikalar kuzatiladigan galaktikalarning deyarli yarmini tashkil etadi. Ularni qirrasidan qaralsa, bosiqlik darajasi katta bo'lgan ellipsning markaziy qismlarida yo'g'onlashgan shaklini ko'rish mumkin. Xabbl spiral galaktikalarni ular yadrolarining nisbiy o'lchamlariga va spiral shaxobchalarining taraqqiy etganligiga ko'ra uch turga ajratadi. Bunda u galaktika spiral shaxobchalarining taraqqiy etganlik darajasi qancha kuchli bo'lsa, yadroning nisbiy o'lchami shuncha katta bo'lishligi qonunidan foydalandi. Katta yadroli, ammo spiral shaxobchalari yaxshi taraqqiy etmagan galaktikalar Sa bilan belgilanadi. Sb galaktikalarda yadro kichikroq bo'lib, spirallarni osonlik bilan ajratib ko'rish mumkin. Sc galaktikalarning spirallari shunday taraqqiy etganki, galaktikaning spiral tuzilishi yemirilayotgandek ko'rinadi. Qirrasidan qaraganda esa katta bosiqlikka ega ekanligi ko'rinadi. Noto'g'ri galaktikalar (I) da simmetriya markaziga zichlanish bo'lmaydi. Ular ancha xira bo'lib, tarkibida neytral vodorodning ko'pligi bilan ham ajralib turadi. Spiral galaktikalarga qaraganda ancha kichik va kam uchraydigan noto'g'ri galaktikalar bizning Galaktikamizning yo'ldoshlaridir. Ulargacha bo'lgan masofa 150 000 yorug'lik yiliga yaqin. Bu galaktikalarni ularning shaklsizligiga qarab shunday ataganlar. Elliptik galaktika (E) ellipsoid shaklida bo'lib, ko'rinma ravshanligi chetidan markaziga tomon tekis ortib boradi, ammo ichki tuzilishi ko'rinmaydi. Ularda ko'rinma ellipsning bosiqligi $10 a \cdot b$ – qo'llaniladi. Yumaloq galaktikalar EO, cho'ziq elliptik galaktikalar E9, E8 va h.k. bo'ladi. Elliptik galaktikalarning markaziga yaqin atrofi yorqin bo'lib, noto'g'ri galaktikalarda bunday konsentrasiya deyarli sezilmaydi. Sharsimon yulduz to'dalariga o'xshaydigan elliptik galaktikalar o'lchami jihatdan

ancha katta bo'lib, juda sekin aylanadilar. Elliptik galaktikalar ancha ko'p uchraydi. Spiral va elliptik galaktikalarning ko'pchiligining yadrolarida juda katta miqdordagi energiya ajralishi kuzatilgan. Ba'zi galaktikalar, boshqa galaktikalardan juda kuchli sinxrotron radionurlanishi bilan ajralib turadi, sinxrotron radionurlanish, katta tezlikda harakatlanuvchi elektronlarning magnit maydon bilan o'zaro ta'sirlashishi natijasida vujudga keladi. Bunday galaktikalarni radiogalaktikalar deyiladi. Ko'pincha ular, galaktikaning ikki tomonida joylashgan radionurlanishning ikki manbaiga ega bo'ladi. Radiogalaktikalar, qarama-qarshi tomonlarga moddaning tez harakatlanuvchi oqimini chiqarib tashlayotgan galaktikalar yadrolarining aktivligi natijasida vujudga keladi deb taxmin qilinadi. Osmondagi ba'zi radiomanbalar yorug'lik nurlarida suratga olinganda, fotosuratlarda juda xira yulduzlarga o'xshash obyektlar topilgan. Ammo ularning nurlanish xususiyatlari, bu obyektlar yulduz emasligini ko'rsatadi. Ularning spektrida qizilga siljishi juda katta qiymatga ega bo'lgan yorug' chiziqlar bor. Ba'zi hollarda bu chiziqlar, odatda gaz spektrining ultrabinafsha qismida kuzatiladigan chiziqlar bo'lib, xira yulduzlarga o'xshash obyekt spektrining ko'rinadigan qismiga siljigan chiziqlardir. Ularning qizilga siljish qiymati shu qadar kattaki, unga milliard yorug'lik yilga teng bo'lgan masofalar mos keladi. Bu obyektlar, radionurlanishning kvaziylulduz (yulduzga o'xshash) manbalari yoki kvazarlar deb ataladi. Bu obyektlar masofalarini aniqlash mumkin bo'lgan osmonning eng uzoq obyektlari hisoblanadi. Kvazarlardan eng yorug'lari 13-kattalikdagi yulduzlar kabi ko'rinadi, lekin yorqinligi bo'yicha ba'zi kvazarlar gigant galaktikalardan yuzlab marta ravshanroqdir. Ularning optik va radiodiapazonida tarqatayotgan juda katta energiyasining kelib chiqishi hozircha tushunarsiz bo'lib kelmoqda. Kuzatishlar, kvazarlar o'z tabiatlari bilan galaktikalarning aktiv yadrolariga o'xshash manbalar ekanligini ko'rsatmoqda va shu boisdan ehtimol, ular juda olisdagi yulduz sistemalarining yadrolaridir. O'tagalaktika va metagalaktika. Galaktikalar ham yulduzlarga o'xshash qo'shaloq, karrali bo'lib, guruh va to'dalarni tashkil etadi. Galaktikalarning ko'pchiligi to'da-to'da bo'lib uchraydi. Galaktikalar to'dalari ham yulduzlar to'dalari kabi sharsimon va tarqoq bo'lib, ularda o'nlab, ba'zilarida esa minglab galaktikalar bo'ladi. Bizga eng yaqin galaktikalar to'dalari o'tagalaktika deb ataluvchi g'oyat katta galaktikalar sistemasini tashkil etadi. Ayrim galaktikalar va galaktikalar to'dalari Somon Yo'lga o'xshash bir tekislik atrofida to'dalanib o'tagalaktika ekvatorini hosil qiladi, Sunbula yulduz turkumidagi to'da esa o'tagalaktika markazida joylashgan bo'lib, u taxminan 20 mln. parsek masofadadir. O'tagalaktika diametri 30 mps, markazi atrofida aylanish davri 50-200 mlrd. yil. U holda galaktikamizning tezligi 500 km/sek bo'ladi va o'tagalaktika massasi $10^{15} M_{\odot}$ ga teng deb aniqlanadi. O'tagalaktikaning kengayishi sababli uning o'lchami har mlrd. yilda 2 mps ga ortadi. Kuzatiladigan hamma Galaktikalar va ularning to'dalari sistemasiga metagalaktika deyiladi. Metagalaktika – cheksiz Koinotning bir qismidir. Metagalaktikaning milliard-milliard planetalardan tashkil

topganligi va bu planetalarning ayrimlarida organik hayot paydo bo'lib rivojlanishi uchun shartsharoitlar mavjudligi ehtimoli Yerdan tashqarida, Koinotning biror qismida hayotning mavjud bo'lishini taqozo etadi. Mazkur umumiy mulohaza asosida, shuningdek, Yerga yaqin Mars va Venerada atmosfera va boshqa fizik shart-sharoitlar mavjudligiga qarab, bu planetalarda hayotning eng oddiy shakllari bor degan taxminlar paydo bo'lgan.

FOYDALANILGAN ADABIYOTLAR

1. М.Мамадзимов. “Астрономија”, О’қитувчи нашрийоти, Toshkent, 2003 у.
2. В.А.Воронсев-Вельяминов. “Астрономија”, О’қитувчи нашрийоти, Toshkent, 1995 у.
3. Жанлука Рансини. «Сверхновый атлас Вселенной». “Космос”. Иллюстрированный справочник с картами созвездий. Москва. Эксмо, 2008.
4. Блажко С.Н. Курс общая астрономия. Госиздат, 1947

О'QITUVCHINING MULOQOT ASOSIDA SINIF JAMOASINI BOSHQARISH

*Mansurova Gulchexra Alidjonovna,
Husanova Matluba Holmatovna
Abdurahmonova Rohila Solijonovna
Farg'ona shahar kasb-hunar maktabi o'qituvchisi*

Annotatsiya: Ushbu maqolada O'qituvchining muloqot asosida sinf jamoasini boshqarish usullari yoritib berilgan

Kalit so'zlar: Avtoritar, demokratik, liberal

Ijtimoiy munosabatlar ko'lamining kengayishi o'qituvchidan o'sib kelayotgan yosh avlodni o'ta murakkab xususiyatga ega munosabatlar jarayonida har tomonlama chuqur bilimga ega, barkamol inson qilib tarbiyalash vazifasini qo'ymoqda. Psixologik, intellektual va fiziologik jihatdan sog'lom muhitda mukammal tarbiyalangan inson hayotiy qarama-qarshiliklar, xususan turli buzg'unchi g'oyalar ta'siriga tushib qolish, nosog'lom turmush kechirish va noqonuniy xatti-harakatlarni sodir etishdan o'zini saqlab qola oladi. Shuningdek, shaxsning aqliy salohiyatga egaligi jamiyat ijtimoiy-iqtisodiy rivojlanishini ta'minlovchi asosiy omildir Ijtimoiy borliqda kechayotgan o'zgarishlarga nisbatan shaxsiy nuqtai nazarning shakllanishi shaxs faolligini ko'rsatuvchi muhim jihatlardan biridir. Qolaversa, mustaqil fikr egasi bo'lgan shaxs o'z imkoniyatlari, qobiliyatini erkin namoyon eta oladi. Ta'lim sohasida olib borilayotgan islohotlarning ham asosiy maqsadi erkin, mustaqil fikrga ega bo'lgan barkamol shaxs va malakali mutaxassislarni tarbiyalab voyaga etkazishdan iborat. Ushbu yuksak javobgarlikni talab qiluvchi vazifalar o'qituvchilar zimmasiga yanada ulkan mas'uliyatlarni yuklaydi. Mahorat bo'lajak o'qituvchilarda yosh avlod ta'lim-tarbiyasi uchun mas'uliyat hissini shakllantiradi. O'qituvchi bunday murakkab vazifalarni amalga oshiruvchi, davlat va jamiyatning ishonchli vakilidir. O'qituvchilar jamoasini birlashtiruvchi sinfda ta'lim-tarbiyaviy jarayonni tashkil etish va boshqarishda o'qituvchining bilimi, pedagogik mahorati va psixologik xususiyatlari ochiq namoyon bo'ladi. Avvalo, o'qituvchi va o'qituvchilar orasida o'zaro hamkorlik va bir-birlariga nisbatan ishonch tuyg'ulari bo'lishi hamda o'qituvchi o'z kasbiy bilimlaridan tashqari boshqa o'quv fanlarini ham puxta egallagan bo'lishi lozim. Zero, sinf jamoasini boshqarish pedagogik jamoa, ota-onalar oldida o'qituvchining obro'e'tibori qay darajada ekanligini ko'rsatuvchi mezon. O'qituvchining axloqiy saviyasini, bilimni muloqot asosida sinf jamoasini boshqarishda erishayotgan yutuqlari belgilaydi. Pedagog va psixolog olimlarning ko'p yillik ilmiy izlanishlari,

kuzatishlari va ilmiy tajribalariga asoslangan holda o'qituvchilarning rahbar sifatida sinf jamoasini boshqarishida qo'llaydigan muloqot uslublari quyidagicha tavsiflanadi:

1. Avtoritar uslubda faoliyat ko'rsatuvchi o'qituvchilar.
2. Demokratik uslubda faoliyat ko'rsatuvchi o'qituvchilar.
3. Liberal uslubda faoliyat ko'rsatuvchi o'qituvchilar.

Avtoritar uslubda faoliyat olib boradigan o'qituvchi ish faoliyati va xarakterida quyidagi xususiyatlar mujassamlashgan bo'ladi:

- o'zi yakka holda guruh faoliyatining yo'nalishlarini belgilaydi; - o'zi o'quvchilarga ko'rsatmalar va buyruqlar beradi;

- ta'lim-tarbiyaviy jarayonga javobgarlikni o'z zimmasiga oladi; - o'quvchilarning unga so'zsiz bo'ysunishini da'vo qiladi;

- qattiq intizom asosida ish olib boradi;

- topshiriqlarning to'liq bajarilishini talab qiladi;

- gap qaytargan, fikr bildirgan o'quvchini yoqtirmaydi;

- aytgan tashakkuri ham buyruqdek chiqadi, so'zlari qattiq va qo'pol;

- o'quvchilarga biror muammoni to'liq tushuntirmasdan talab qiladi. Avtoritar uslublarda pedagogik faoliyat olib boruvchi o'qituvchi "Mening aytganim aytgan, deganim degan" shaklidagi prinsip asosida pedagogik faoliyat olib boradi. U sinf jamoasi bilan muloqotga kirishishda quyidagi uslublarni qo'llaydi: buyruq, ko'rsatma berish, qattiqqo'llik bilan ishlash, tarbiyaviy jazo turlarini tez-tez qo'llash. O'qituvchi o'quvchilar bilan muloqot jarayoniga qo'pol, dag'al, do'q-po'pisa, majbur etish, qo'rqitish, cho'chitish orqali kirishadi. Ushbu uslub o'qituvchi asab tizimini doimiy taranglashib yurishiga sabab bo'lib, uning sog'ligiga putur etkazishi mumkin. Natijada o'qituvchi tez charchaydi. Avtoritar usulning ijobiy tomonlari ham bor: ya'ni, ular faqat favqulodda vaziyatlar jarayonida ishlatilishi (yong'inda, suv toshqinida, aholini evakuatsiya qilishda) mumkin. O'qituvchi muloqotining ushbu uslubda boshqarilishi sinf jamoasini tarqoqlikka, hamjihatlikning buzilishiga olib keladi.

Demokratik uslub asosida faoliyat olib boradigan o'qituvchining bosh shiori o'quvchilarda mustaqil va erkin fikr yuritish ko'nikmalarini va ongli intizomni hosil qilishdan iborat. O'qituvchining muloqoti barcha demokratik talablar asosida quriladi. Ushbu uslubni mukammal egallagan o'qituvchi o'z pedagogik faoliyati va xarakterida quyidagi xususiyatlarni mujassamlashtiradi:

- pedagogik faoliyatda sinf jamoasining fikr mulohazalariga tayanib ta'lim-tarbiyaviy ishlarni tashkil etadi;

- sinf jamoasining tashabbusini ma'qullaydi, rivojlantiradi, o'quvchilarning erkin fikr bildirishlariga imkoniyat yaratadi;

- muloqot jarayonida o'quvchilar fikr-mulohazalarini inobatga olib, pedagogik faoliyatida qo'llaydi;

-muloqotga kirishishning asosiy shakllari: iltimos, maslahat berish, samimiy muomala. Demokratik uslubda muloqotni tashkil etuvchi o'qituvchi hozirgi zamon talablariga, ta'lim sohasida olib borilayotgan islohotlardan kutilayotgan maqsadlarga javob bera oladi. O'qituvchining vazifasi barkamol inson tarbiyasini davlat siyosatining ustuvor sohasi deb bilgan holda, yuksak ongli, mustaqil fikrlay oladigan, xulq-atvori bilan tengdoshlariga namuna bo'ladigan bilimli, ma'rifatli, aql-zakovatli, yuksak ma'naviyatli o'quvchilarni tarbiyalash uchun qizg'in pedagogik faoliyat olib borishi lozim. Muloqot jarayonida o'quvchilarning jamoa bo'lib birlashishlari, ularda o'zaro yordam tuyg'usini o'stirishga xizmat qilishi kerak. Samarali demokratik tarbiyaviy jarayon, sinf jamoasi a'zolarining qobiliyat va iste'dodlarini yuzaga chiqaradi, o'quvchining jamoada har tomonlama rivojlanishi uchun keng imkoniyatlar paydo qiladi. O'quvchilar bilan muloqotning erkin demokratik asosda tashkil etilishi sinfning ahil jamoa bo'lib birlashib, tarbiyaviy ishlarni amalga oshirishda muvaffaqiyatlarga erishishiga zamin yaratadi. Yaxshi uyushgan jamoada har bir o'quvchining fikri ulkan tarbiyaviy kuchga ega.

Liberal uslub asosida faoliyat olib boruvchi o'qituvchi xususiyatlariga :

- tashabbussiz, eski qolipda pedagogik faoliyat olib boradi;
- sinf jamoasining tarbiyaviy faoliyatiga aslo aralashmaydi;
- ta'lim-tarbiyaga oid muammolarga yuzaki qarab chiqadi;
- o'z mustaqil fikriga ega emas, javobgarlikdan o'zini olib qochadi;
- o'quvchilarga berilgan topshiriqlarning natijalari bilan qiziqmaydi;
- o'quvchilar kelajagiga, taqdiriga e'tiborsiz, beg'am qaraydi;

- o'z pedagogik faoliyatiga sovuqqonlik bilan munosabatda bo'ladi. Biroq, yillar o'tib, zamonlar o'zgargan sari, jamiyatning ijtimoiy talablaridan kelib chiqib, o'qituvchining xulq-atvori, pedagogik va psixologik bilimlar saviyasi, o'z kasbiy faoliyatiga nisbatan munosabati, pedagogik va axborot informatsion texnologiyalarini puxta o'zlashtirish saviyasi ham o'zgarib qolgan. Shu sababli, o'qituvchilar o'z bilim va tafakkurlari nuqtai nazaridan kelib chiqib, sinf jamoasini boshqarishning turli shakl va metodlarini amalda qo'llamoqdalar. Sinf jamoasining har qanday boshqaruv uslubi o'qituvchi muloqoti asosida tashkil etiladi. Muloqotdan kutilayotgan natija, tarbiya asosida o'quvchining ongini va tafakkurini boyitish va o'zgartirishdir.

FOYDALANILGAN ADABIYOTLAR

1. Sultonova G.A. Pedagogik mahorat. – T.: Nizomiy nomidagi TDPU, 2005.
2. Tarbiyaviy ish metodikasi. //Pedagogika institutlari uchun o'quv qo'llanma . – T.: "O'qituvchi", 1991.–376 b.
3. Pirmuxamedova M. Pedagogik mahorat asoslari.- T.: 2001
4. Xoliqov A. Pedagogik mahurat. Kasb-hunar kolleji o'quvchilari uchun darslik

YARIMO`TKAZGICHLARDA ZARYAD TASHUVCHILAR

*Mansurova Gulchexra Alidjonovna,
Husanova Matluba Holmatovna
Abdurahmonova Rohila Solijonovna
Farg'ona shahar kasb-hunar maktabi o'qituvchisi*

Annotatsiya: Ushbu maqolada yarimo`tkazgichlarda zaryad tashuvchilar, ichki fotosamara nazariyasining asosiy tushunchalari brilgan

Kalit so'zlar: Yarimo`tkazgichlar, elektron, elektronli mikroskopiya

Ko'chish hodisalarida (masalan, tokda) qatnasha oladigan erkin zaryad tashuvchilarni hosil qilish jarayoni ta'qiqlangan zonani yoki mahalliy (lokal) sathlar va ruhsat etigan zonalar orasidagi to'siqlarni yengib o'tish uchun energiya sarflashini talab qiladi.

Termodinamik muvozanat sharoitida bu energiya kristallning issiqlik energiyasi jang`armasidan olinadi. Shu bilan bir vaqtda kristalldagi elektronlar kristall panjarasi bilan kuchli o`zaro ta`sirlashadi va shuning uchun odatda panjara bilan elektronlar gazi temperaturasi bir xil bo`ladi. Yarimo`tkazgichning temperaturasi ko`tarilganda bir vaqtda ham zarralarning (atomlarning yoki ionlarning) panjara tugunlari atrofida tebranishlari amplitudasi ortadi, ham elektronlarning energiyalari bo`yicha taqsimoti o`zgaradi, termik ionlanish kuchayadi, ya'ni zonalarda erkin elektronlar va kovaklar soni ortadi.

Biror temperaturada termodinamik muvozanat sharoitida yarimo`tkazgichda mavjud bo`lgan erkin zaryad tashuvchilar (elektronlar va kovaklar) muvozanati zaryad tashuvchilar deyiladi.

Zonalarda erkin zaryad tashuvchilar termik ionlanishdan tashqari tashqi ta`sirlar oqibatida (masalan, yorug`lik ta`sirida) ham paydo bo`lishi mumkin. Yorug`lik ta`siri oqibatida zonalarda erkin zaryad tashuvchilar paydo bo`lishi hodisasi ichki fotoeffekt deb ataladi.

Yarimo`tkazgichda ortiqcha(muvozanatdagi miqdorga nisbatan) zaryad tashuvchilar kontakt (yoki p-n-p o`tish) orqali injeksiyalanish hisobiga, kuchli elektr maydonlar ta`sirida, yuqori energiyali zarralar nurlari ta`siri oqibatida va boshqa sabablar tufayli yuzaga kelishi mumkin. Bunda elektronlarga energetik to'siqlarni yengish uchun zarur bo`lgan energiyani tashqi manba beradi va uni asosan elektronlar jang`aradi, biroq kristall panjaraning issiqlik energiyasi (temperaturasi) deyarli o`zgarmay qoladi. Tashqi ta`sir mavjud bo`lganida shu tarzda kristall panjara va elektronlar orasidagi muvozanat buziladi. Shu sababdan yarimo`tkazgichda tashqi

ta'sir tufayli vujudga keladigan zaryad tashuvchilarni nomuvozanatli zaryad tashuvchilar deyiladi.

Odatda nomuvozanatli zaryad tashuvchilar konsentratsiyasi juda katta bo'lmaydi va ular jamg'argan energiya kristall panjara atomlar (ionlari) issiqlik tebranishlar energiyasiga nisbatan anchagina kichik bo'ladi. Ichki fotoeffektning yuzaga keltiruvchi tashqi ta'siri to'xtaganidan so'ng muayyan vaqt mobaynida panjara va elektronlar orasida yana issiqlik (termodinamik) muvozanat qaror topadi, bunda nomuvozanatli zaryad tashuvchilar tashqi manbadan olingan energiyani panjaraga berib, rekombinatsiyalanib ketadi. Biroq, panjara va butun kristallning temperaturasi, binobarin, muvozanatli zaryad tashuvchilarning konsentratsiyasi o'zgarmay qolaveradi.

Tashqi ta'sirning mavjud bo'lishi va bo'lmasligi (masalan, yarimo'tkazgichni yoritish va yoritmay qo'yishi) nomuvozanatli zaryad tashuvchilar konsentratsiyasini o'zgartiradi, ammo muvozanatli konsentratsiyaga ta'sir qilmaydi. Shuning uchun elektronlar va kovaklarning to'la konsentratsiyalari (n, r) muvozanatli (n_0, r_0) va ortiqcha ($\Delta n, \Delta P$) konsentratsiyalar yig'indisiga teng bo'ladi:

$$n = n_0 + \Delta n \quad (1)$$

$$P = P_0 + \Delta P \quad (2)$$

Zonalardagi erkin zaryad tashuvchilar soni, ulardagi sathlar sonidan ancha kam bo'ladi. Shuning uchun ham muvozanatdagi elektronlar va kovaklar zonalar chegaralari (o'tkazuvchanlik zonasi tubi va valent zona shipi) yaqinida muayyan holatlarni egallaydi, bunda ular energiyalar bo'yicha ma'lum temperaturalarga mos keladigan taqsimotga egadir.

Endi muvozanat holatdagi elektronlar va kovaklarning energiyalar bo'yicha taqsimoti masalasini ko'rib chiqaylik.

Katta $\hbar\omega$ energiyali fotonlar vujudga keltirgan nomuvozanat holatdagi zaryad tashuvchilar energiyasi, dastlab muvozanatdagi tashuvchilarning R_0T tartibidagi o'rtacha energiyasidan ancha katta bo'lishi mumkin. Keyin nomuvozanat holatdagi tashuvchilar fononlar bilan va panjaraning turli nuqsonlari bilan to'qnashganda ularga o'z energiyasining bir qismini uzatib, temperaturasi panjara temperaturasi bilan tenglashadi.

Erkin yugurish o'zunligi 10^{-10} m va tezligi 10^5 m / s bo'lgan elektron o'zining 1 eV miqdordagi ortiqcha energiyasini 10^{-10} s mobaynida ulashib bo'ladi. Bu vaqt nomuvozanatli zaryad tashuvchilarning zonalarda yashash vaqtidan birmuncha kichikdir. Bundan chiqadigan xulosa shuki, nomuvozanatli zaryad tashuvchining zonada yashash vaqtining ko'p qismida o'rtacha energiyasi (temperaturasi) muvozanatli tashuvchilikidan farq qilmaydi. Demak, yarimo'tkazgichdan nomuvozanatli zaryad tashuvchilarning vujudga keltirilishi erkin zaryad tashuvchilar

konsentratsiyasini o'zgartiradi, biroq ularning zonalarda energiyalar bo'yicha taqsimoti va o'rtacha kinetik energiyasi (temperaturasi) o'zgarmay qoladi.

Ma'lumki, termodinamik muvozanat sharoitda elektroning energiyali holatni egallaganligi extimolligini Fermi funksiyasi

$$f = \left[1 + \exp\left(\frac{E - F}{R_0 T}\right) \right]^{-1} \quad (3)$$

ifodalaydi; bu yerda F - Fermi sathi.

Muvozanatliy o'tkazuvchanlik elektronlari va kovaklari yetarlicha kichik konsentratsiyali bo'lsa (siyrak(aynimagan) elektronlar yoki kovaklar gazi), $-F/R_0 T \gg 1$ bo'ladi va (3) Fermi taqsimoti Maksvell – Boltsman taqsimotiga aylanadi: a) o'tkazuvchanlik zonasidagi elektronlar uchun

$$f = \exp\frac{F - E}{R_0 T} \quad (4)$$

b) valent zonadagi kovaklar uchun

$$f = \exp\frac{E - F}{R_0 T} \cdot (5)$$

Bu holda muvozanatliy erkin elektronlar va kovaklarning to'la konsentratsiyasi mos ravishda

$$n_0 = N_c \exp(F / R_0 T),$$
$$P_0 = N_v \exp\left[-(F + E_g) / R_0 T\right] \quad (6) \text{ va } (7)$$

ko'rinishda bo'ladi; bu yerda

$$N_c = 2\left(2\pi m_n R_0 T / n^2\right)^{3/2}, \quad (8)$$

$$N_v = 2\left(2\pi m_p R_0 T / n^2\right)^{3/2} \quad (9)$$

E_g - ta'qiqlangan zona kengligi. (6) va (7) ifodalarga asosan, muvozanatliy zaryad tashuvchilarning konsentratsiyasi temperaturaga va Fermi sathi vaziyatiga bog'liq. Fermi sathi mazkur yarimo'tkazgich uchun tuzilgan elektr neytrallik tenglamasidan aniqlanadi. Nomuvozanatli tashqi ta'sir mavjud bo'lgan holda (1) va (2) ifodalarini (6) va (7) ifodalarga o'xshash ko'rinishda tasvirlash mumkin:

$$n = n_0 + \Delta n = N_C \exp(F_n / R_0 T), \quad (10)$$

$$P = P_0 + \Delta P = N_V \exp\left[-(F_p + E_g) / R_0 T\right] \quad (11)$$

F_n va F_r energetik sathlarni mos ravishda elektronlar va kovaklar uchun Fermi sathlari deyiladi. Ravshanki, ular rasman kiritiladi, aslida F_n va F_r turlicha bo`ladi, vaholanki, muvozanat sharoitida butun yarimo`tkazgich uchun Fermi sathi bitta bo`ladi: $n = n_0$, $r = r_0$ bo`lganda $F_n = F_r = F$.

Biror tashqi ta'sir oqibatida yarimo`tkazgichda nomuvozanatli zaryad tashuvchilarning vujudga kelishi uning o`tkazuvchanligini o`zgartiradi. Umumiy holda to`la solishtirma elektr o`tkazuvchanlik quydagiga tengligi ma'lum:

$$\sigma = \sigma_n + \sigma_p = \ell(\mu_n n + \mu_p P). \quad (12)$$

Bu o`rinda nomuvozanatli zaryad tashuvchilarning vujudga keltirish sharoiti va darajasi tashuvchilarning harakatchanligini aniqlaydigan omillarga ta'sir qilmaydi va shu sababli harakatchanliklar μ_n va μ_p o`zining muvozanat sharoitidagi qiymatini saqlaydi, deb hisoblaymiz. U holda (1) va (2) ifodalardan foydalanib, (12) ni quydagicha yozish mumkin:

$$\sigma = \ell(\mu_n n_0 + \mu_p P_0 + \mu_n \Delta n + \mu_p \Delta P) \quad (13)$$

Bundan nomuvozanatli o`tkazuvchanlikning

$$\Delta \sigma = \ell(\mu_n \Delta n + \mu_p \Delta P) \quad (14)$$

ifodasi kelib chiqadi.

Δn , ΔP va binobarin, $\Delta \sigma$ kattaliklarga qanday omillar ta'sir qiladi? Buning uchun yarimo`tkazgichda, yorug`lik ta'sirida nomuvozanatli o`tkazuvchanlik vujudga keladigan holini qarab chiqaylik, olinadigan natijalarni esa, nomuvozanatli zaryad tashuvchilarni vujudga keltirishning boshqa usullariga ham osongina tatbiq qilish mumkin.

Yarimo`tkazgichni asosiy (hususiy) yutilish sohasiga mansub yorug`lik

($\hbar \omega \geq E_g$) yoritilganda fotonlarning yutilishi bilan bir vaqtda elektronlar valent zonadan o`tkazuvchanlik zonasiga o`tadi, ya'ni nomuvozanatli elektron kovak juftlari paydo bo`ladi.

Yorug`lik x yo`nalishda tarqalayotgan bo`lsin hamda birlik hajmda birlik vaqtda yorug`lik yutilishi oqibatida Δn va ΔP elektronlar hamda kovaklar vujudga kelayotgan bo`lsin (bunda Δn va ΔP sonlar yutilayotgan yorug`lik energiyasiga proporsional

bo`ladi). Yorug`lik intensivligini (1 sm^2 yuzaga 1 s da tushayotgan yoruglik energiyasi miqdorini) I orqali ifodalaymiz. U holda 1 sm^2 yuzali va dx qalinlikli yarimo`tkazgich qatlamida yutilayotgan energiya miqdori I va dx larga proporsional bo`ladi:

$$-dI = \alpha I dx \quad (15)$$

Bundagi α – yorug`lik yutilish koeffitsiyenti.

Birlik vaqtda birlik hajmda yutilayotgan yorug`lik energiyasi:

$$-(dI / dx) = \alpha I \quad (16)$$

Demak,

$$\Delta n = \Delta P = \alpha \beta I \quad (17)$$

bunda β - bir yorug`lik kvanti (foton) vujudga keltirgan elektron-kovak juftlari sonini aniqlaydigan kvanti chiqish.

$$\alpha \beta I = g \quad (18)$$

kattalik zaryad tashuvchilarni (bu holda yorug`lik ta`sirda) vujudga keltirish(generatsiyalash) tezligidir.

Agar zaryad tashuvchilarni generatsiyalashdan boshqa jarayonlar yuz bermaganida edi, nomuvozanatli zaryad tashuvchilar konsentratsiyasi

$$\Delta n = \Delta P = \beta \alpha I t \quad (19)$$

qonun bo`yicha vaqt o`tishi bilan tobora ortib borgan bo`lib edi. Ammo generatsiyalashga teskari bo`lgan jarayon nomuvozanatli zaryad tashuvchilarning yuk bo`lishi (rekombinatsiya) jarayoni ham mavjuddir. Statsionar (tashqi ta`sir doimiy bo`lgan) sharoitda mazkur ikki jarayonning tezliklari aniq bir-birga teng.

Molekulyar fizika nazaryasidan bilamizki, molekulaning o`rtacha erkin yugurish vaqtini ta`riflaganda.

$$\tau = 1 / S_M \nu_T N_O \quad (20)$$

ifodadan foydalaniladi, bunda ν_T - molekula issiqlik harakatining o`rtacha tezligi, $S_M = \pi R_M^2$ - uning ko`ndalang kesimi, R_M -radiusi, N_O - molekulalar konsentratsiyasi (Loshmidt soni).

Shunga o`xshash, sochilish nazariyasida va rekombinatsiya nazariyasida bu jarayonlarning xarakterli vaqtini aniqlashda sochilish (to`qnashish) hamda tutilish ko`ndalang kesimi tushunchalari kiritiladi. Molekulalarning bevosita tegishish ko`rinishdagi to`qnashishlari holida ko`ndalang kesim molekulaning geometrik kesimidan iborat bo`ladi. Biroq, zaryadlangan zarralarning zaryadlangan zarralar bilan, kristall panjaraning turli nuqsonlari bilan to`qnashish hollari uchun kiritiladigan

ko'ndalang kesimlar to'qnashish (tutilish) markazlarning geometrik ko'ndalang kesimini ifodalamaydi, balki bu kesimlar zaryad tashuvchilarning mazkur to'qnashish, tutilish markazlari bilan o'zaro ta'sirini xarakterlaydigan va umuman bir necha omillarga bog'lik bo'lgan effektiv fizikaviy kattaliklaridir. Masalan, elektronning panjaraning zaryadli nuqsoni bilan o'zaro ta'siri nuqsonning o'z radiusidan ancha uzoq masofalarda boshlanadi, bu holda effektiv ko'ndalang kesimni o'zaro ta'sir sferasi radiusi aniqlaydiki, u nuqsonning (sochilish yoki tutilish markazlarining) geometrik kesimidan ko'p marta ortiqdir.

Yarimo'tkazgichlarda nomuvozanatli zaryad tashuvchilarning yashash vaqti yarimo'tkazgichlar elektronikasida ishlatiladigan moddalarning (materiallarning) muhim xarakteristikasidir.

ADABIYOTLAR:

1. H. O. Abdullayev, S. U. Abdulboriyev. Nanotexnologiyaga kirish. Namangan-2012.
2. www.physikweb.org/article/news/7/6/16

О‘QITUVCHINING KASBIY FAOLIYATIDA MULOQOT TIZIMI

*Mansurova Gulchexra Alidjonovna,
Husanova Matluba Holmatovna
Abdurahmonova Rohila Solijonovna
Farg‘ona shahar kasb-hunar maktabi o‘qituvchisi*

Annotatsiya: Ushbu maqolada o‘qituvchining kasbiy faoliyatidagi muloqot tizimi yoritib berilgan

Kalit so‘zlar: kommunikativ faoliyati, muloqot, pedagogik mahorat

O‘qituvchining eng muhim sifatlaridan biri uning o‘quvchilar bilan o‘zaro hamkorlikda ta‘lim–tarbiyaviy faoliyatni samarali tashkil qilishi, ular bilan qizg‘in muloqot qila olishi va ularga jonkuyar, mehribon rahbar bo‘lishidir. Pedagogik–psixologik yo‘nalishlarda olib borilayotgan ilmiy- tadqiqot ishlarida, o‘qituvchilarning sermahsul pedagogik faoliyatni amalga oshirishlari uchun zarur bo‘lgan kommunikativ qobiliyati to‘g‘risida ko‘plab fikr va mulohazalar yuritilgan. O‘qituvchi o‘z kasbiga qiziqmasa, o‘quvchilarga nisbatan mehr–muhabbati bo‘lmasa, ular bilan qizg‘in muloqot qila olish qobiliyati, ya‘ni kommunikativ xususiyatlari rivojlanmaydi. Uzoq yillar davomida pedagogika sohasida olib borilgan tajribalar shundan dalolat beradiki, kommunikativ faoliyatda muvaffaqiyatga erishish uchun, o‘qituvchining integral fanlar asoslarini va o‘quv – tarbiyaviy ishlar metodikasini chuqur bilishi yetarli emas. Zero, u bilim hamda amaliy ko‘nikma va malakalarini o‘quvchilarga faqat bevosita jonli muloqot vositasida bera oladi. O‘qituvchi va o‘quvchilarning jonli muloqoti, ta‘lim muassasalarida pedagogik faoliyatning muhim sharti va mazmuni sifatida namoyon bo‘ladi. Insonning hayot tarzida eng muhim tarkibiy vosita bo‘lgan muloqot, har qanday kasbiy faoliyatning barcha turlarida mavjud. Bu holda muloqot insonlar o‘rtasidagi odatiy o‘zaro hamkorlik shakli emas, balki kasbiy faoliyatning muvaffaqiyatini ta‘minlovchi kategoriya sifatida mavjuddir. Ayniqsa, pedagogik faoliyatda muloqot muhim funksional, o‘qituvchi uchun kasbiy jihatdan ahamiyatli vosita sanalib, o‘zaro ta‘lim va tarbiyaviy ta‘sir quroli sifatida namoyon bo‘ladiki, bunda muloqotning muhim shartlariga va qonuniyatlariga, qo‘shimcha vazifalariga rioya qilishga to‘g‘ri keladi. Tajribalar shuni ko‘rsatadiki, har qanday kasb egasining kishilar bilan odatiy o‘zaro hamkorlik tizimida muloqot go‘yo, shunchaki o‘zo‘zicha sodir bo‘ladi. Ma‘lum bir maqsadga qaratilgan ta‘lim-tarbiyaviy jarayonda esa, muloqot ijtimoiy vazifaga aylanadi, natijada o‘qituvchi pedagogik muloqot qonuniyatlarini puxta bilishi, kommunikativ qobiliyat va kommunikativ madaniyatga ega bo‘lishi talab qilinadi. Odatiy va kasbiy kommunikativ vaziyatni qiyoslab ko‘ramiz. Aytaylik, do‘stingizga nimanidir gapirib berayapsiz. Masalan, biror ko‘rgan

filmingiz to'g'risida, uning mazmun va g'oyasini bimalol so'zlayapsiz. Bu holda muloqotning turmushda ro'y beradigan odatiy kommunikativ shaklidagi shaxsga yo'naltirilgan tizimi bilan ish ko'rgan bo'lasiz. Tasavvur qiling, Sizga shu vazifani auditoriyada, minbarda turib, o'quvchilar oldiga chiqib gapirib berish taklif etildi. Siz kommunikatsiyani amalga oshirish vazifasini, avvalo, muloqotning tabiiy shakllari o'rniga kasbiy-funksional javobgarlik hissini, ya'ni kasbiy jihatdan anchagina murakkablashgan pedagogik faoliyatni darhol his etasiz. Kasbiy-pedagogik muloqot deganda, o'qituvchi va ta'lim-tarbiya jarayoni obyektlarining o'zaro hamkorlik tizimi tushuniladi, uning asosiy faoliyat mazmuni o'zaro axborot almashish, shaxsni bilish, tarbiyaviy ta'sir o'tkazish sanaladi. O'qituvchi bu jarayonni faollashtiruvchisi sifatida maydonga chiqadi, uni tashkil etadi va boshqaradi. A.N.Leontev pedagogik muloqotning tarbiyaviy-didaktik ahamiyatini baholar ekan, quyidagi fikrlarni bildiradi: faol pedagogik muloqot – o'qituvchining, umuman olganda pedagogik jamoaning ta'lim-tarbiya jarayonida o'quvchilarni bilish va o'rganish kaliti va o'quv faoliyatining ijodiy xarakteri, o'quvchi shaxsining shakllanishi uchun eng yaxshi sharoit yaratadigan, ta'lim-tarbiyada maqbul bo'lgan emotsional muhitni ta'minlovchi, jumladan, ruhiy psixologik to'siqlarning paydo bo'lishini oldini oladigan, bolalar jamoasida ijtimoiy-psixologik jarayonlarni to'g'ri yo'lga solib boshqarishni ta'minlaydigan va o'quv tarbiyaviy jarayonda o'qituvchining o'z pedagogik mahoratidan oqilona foydalanishi uchun imkoniyatlar yaratadigan muhim vositadir. Pedagogik faoliyatda muloqot o'quvchilarga zamon talablari asosida ta'lim berish vazifalarini hal qilish vositasi, tarbiyaviy jarayonlarni ijtimoiy-pedagogik jihatdan ta'minlash tizimi sifatida namoyon bo'ladi. Ilg'or pedagogik tajribalarni tahlili hamda taniqli olimlar A.S. Makarenko, V.A. Suxomlinskiy va boshqalarning pedagogik faoliyatini o'rganish natijasida shunday xulosaga kelish mumkin, aynan o'quvchilar bilan o'qituvchi muloqotining pedagogik ta'sir vositasi nihoyatda beqiyos, muloqotni pedagogik mahoratning eng muhim birlamchi vositasi sifatida chuqur egallaganlik ta'lim-tarbiya jarayonining samaradorligini har tomonlama oshirishni ta'minlaydi. A.S. Makarenko muloqotni pedagogik ta'sirning ajoyib vositasi sifatida ta'riflab, insonlararo muloqotni ta'minlovchi eng muhim va nozik faoliyat ekanligini aytadi. Pedagogik muloqot – shunchaki ijtimoiy-psixologik, pedagogik yoki kommunikativ hodisa emas, avvalo kasbiy axloqiy fenomendir. Jamiyatda axloq normalariga qat'iy rioya qilish hamda pedagogik vositalarning ilg'or jarayonlarini amaliy hayotga keng tatbiqi uchun o'quvchilar bilan o'zaro hamkorlik texnologiyalarini mukammal egallash lozim. Shunday «texnologiya»larning mavjudligini pedagogik tadqiqotlar isbotlab berdi. O'qituvchining kommunikativ faoliyati maqsadli faoliyatga nisbatan ko'pincha ikkilamchi xarakterga ega bo'ladi, pedagogik mehnatning o'ziga xosligi ham aynan kommunikativ faoliyat uning asosini tashkil etishidan iborat ekanligidadir. Pedagogik muloqot o'qituvchilar pedagogik ijodkorligining yaxlit tizimida qanday ahamiyat kasb

etadi? Pedagogik faoliyatning muhim mikroelementlari nostandart echimlardan iborat, garchi o'qituvchi faoliyatida pedagogik vaziyatlar bir qarashda bir biriga o'xshash ko'rinsa-da, o'qituvchining ushbu vaziyatlardagi har bir xatti-harakati mutlaqo noyob va betakroridir. O'qituvchining ijodiy pedagogik faoliyati tahlil qilinganda, mukammal shaklga ega bo'lgan tizimlardan iborat ekanligini ko'ramiz:

– o'qituvchining sinfda, o'quvchilar jamoasi bilan ta'lim-tarbiyaviy maqsadlarga qaratilgan ijodiy tayyorgarligi;

– o'quvchilar bilan bevosita o'zaro hamkorlik asosidagi ijodkorlik. O'qituvchining pedagogik muloqoti jarayonidagi ijodkorligi bir nechta ko'rinishda namoyon bo'ladi:

– o'qituvchining o'quvchilarni mukammal bilish jarayonidagi ijodkorligi;

– ular bilan o'zaro hamkorlik tizimidagi ijodkorlik;

– o'quvchiga bevosita ta'sirni tashkil qilishdagi ijodkorligi;

– o'z xulq-atvorini boshqara olishda (muloqotni o'zini-o'zi bilgan holda bir maromda olib borish) ijodkorlik;

– o'quvchilar bilan o'zaro munosabatlarni tashkil qilish jarayonida ijodkorlik.

Modomiki, shunday ekan, ta'kidlash lozimki, o'qituvchining muloqoti kasbiy-ijodiy kategoriya bo'lib, pedagogik faoliyatda o'qituvchi tomonidan ko'plab kommunikativ vazifalarni hal qilish jarayoni va ijobiy natijalar majmuasidir. O'qituvchi ta'lim-tarbiya jarayonida muntazam pedagogik ta'sir o'tkazish metodlari bilan ishlaydi: masalan, dars jarayonida yangi materialni tushuntirishda, o'quvchiga aybi uchun dashnom berishda. Ushbu vaziyatda yosh o'qituvchi avvalo nimalarga e'tibor berishi kerak:

Birinchidan, vaziyat tahlil qilinadi; ikkinchidan, murakkab vaziyatdan chiqishning mumkin bo'lgan variantlari saralanadi, uchinchidan, ushbu faoliyat, odatda tezkor amalga oshiriladi (bunda ham pedagogik kommunikatsiyaning o'ziga xosligi namoyon bo'ladi) va optimal metodlar tanlanadi, faqat shundan keyingina pedagogik ta'sir tashkil qilinadi. Biroq hali tanlangan ta'sir metodiga adekvat bo'lgan, u orqali pedagogik ta'sir amalga oshiriladigan muloqot tizimini topishimiz kerak. Ya'ni, ma'lum bir maqsadga qaratilgan umumiy pedagogik vazifani hal etgandan so'ng, ta'sir metodini tanlab bevosita ta'sirni tashkil qilish uchun asosiy vazifa sifatida kommunikativ vazifa belgilanishi kerak. Kommunikativ vazifa pedagogik faoliyatda, nisbatan ishlab chiqaruvchi xarakterga ega bo'lib, murakkab vazifani hal etadi. Zero u pedagogik vazifadan kelib chiqqan, shu sababli o'qituvchi tomonidan tanlanadi va belgilanadi. Aytish mumkinki, kommunikativ vazifa aynan kommunikatsiya tiliga o'tkazilgan pedagogik vazifaning o'zi. Kommunikativ vazifa pedagogik vazifaning asosini aks ettirib, unga nisbatan yordamchi, instrumental xarakterga ega bo'lgan jarayondir. Pedagogik amaliyotlar natijasi shundan dalolat beradiki, o'qituvchi o'quvchilar bilan o'zaro hamkorlikning o'ziga xos to'g'ri metodini tanlab hamda vaziyatni to'g'ri baholagan taqdirda ham, ko'pincha o'z pedagogik ta'sirini

kommunikativ jihatdan ta'minlay olmaydi, ya'ni kommunikatsiyani o'zaro muloqotda amaliy jihatdan tatbiq eta olmaydi. Pedagogik ta'sirning o'qituvchi tomonidan tanlanib qo'llaniladigan metodlari bevosita muloqot orqali amalga oshiriladi. Shunday ekan, mazkur jarayonni yuksak mahorat bilan, ongli ravishda tashkil etish, pedagogik faoliyatda sodir bo'lishi mumkin bo'lgan har qanday vaziyatda bu jarayonga tayyor turishi zarur. Buning uchun har bir o'qituvchi mustaqil, o'z pedagogik tajribalariga va mahoratiga asoslanib, o'quvchilarga pedagogik ta'sir etish, o'zi uchun kerakli bo'lgan, ta'lim-tarbiyaviy ahamiyatga ega bo'lgan ma'lumotlarni mustaqil ravishda yig'ib, qayd qilib borishlari hamda kasbiy ko'nikma va malakalarini oshirib borishlari mumkin

FOYDALANILGAN ADABIYOTLAR:

1. Sulstonova G.A. Pedagogik mahorat. – T.: Nizomiy nomidagi TDPU, 2005.
2. Tarbiyaviy ish metodikasi. //Pedagogika institutlari uchun o'quv qo'llanma . – T.: “O'qituvchi”, 1991.–376 b.
3. Pirmuxamedova M. Pedagogik mahorat asoslari.- T.: 2001
4. Xoliqov A. Pedagogik mahurat. Kasb-hunar kolleji o'quvchilari uchun darslik

O'ZBEKISTON TURIZMIDA HOJATXONA MUAMMOLARI

Sultonov Davron Murod o'g'li

Toshkent Kimyo xalqaro universiteti turizm yo'nalishi talabasi

Annotatsiya: O'zining boy tarixi, jo'shqin madaniyati va hayratlanarli manzaralari bilan Markaziy Osiyoda mashhur sayyohlik maskaniga aylanib bormoqda. Biroq, ko'plab mamlakatlar singari O'zbekistonda ham sayyohlar uchun zarur bo'lgan hojatxonalar bilan ta'minlashda muammolar mavjud. Turizm sohasidagi hojatxona muammolari tashrif buyuruvchilar tajribasi va maqsad haqidagi tasavvurlariga sezilarli ta'sir ko'rsatishi mumkin. Ushbu maqolada biz O'zbekiston turizmidagi hojatxonalar bilan bog'liq muammolarni o'rganamiz va ushbu muammolarni hal qilish uchun yechimlarni taklif qilamiz.

Kalit so'zlar: turizm, muammo, sanitariya-gigiyena vositalari, yo'l belgilari, pul.

Аннотация: Благодаря своей богатой истории, яркой культуре и удивительным пейзажам, он становится популярным туристическим направлением в Центральной Азии. Однако в Узбекистане, как и во многих других странах, есть проблемы с обеспечением туристов необходимыми туалетами. Проблемы с туалетами в туризме могут оказать существенное влияние на впечатления посетителей и восприятие места назначения. В этой статье мы исследуем проблемы, связанные с туалетами в туризме Узбекистана, и предлагаем пути решения этих проблем.

Ключевые слова: туризм, проблема, санитарно-гигиенические средства, дорожные знаки, деньги.

Abstract: With its rich history, vibrant culture and amazing scenery, it is becoming a popular tourist destination in Central Asia. However, Uzbekistan, like many other countries, has problems in providing necessary toilets for tourists. Toilet issues in tourism can have a significant impact on visitor experience and perceptions of a destination. In this article, we explore the problems associated with toilets in Uzbekistan tourism and propose solutions to solve these problems.

Key words: tourism, problem, sanitary-hygienic means, road signs, money.

KIRISH

O'zbekiston turizm sohasidagi asosiy muammolardan biri toza, qulay va yaxshi ta'mirlangan hojatxonalarning yo'qligi hisoblanadi. Sayyohlar ko'pincha iflos va yomon jihozlangan hojatxonalarga duch kelishadi, bu esa yoqimsiz va antisanitariya bo'lishi mumkin. Yo'l belgilarining yetarli emasligi va jamoat hojatxonalarining cheklanganligi ham tashrif buyuruvchilar uchun, ayniqsa mashhur sayyohlik joylari va uzoq joylarda qiyinchiliklarga olib kelishi mumkin.[2]

ADABIYOTLAR TAHLILI VA TADQIQOT METODOLOGIYASI.

O'zbekistondagi hojatxonalarning holati umumiy turizm tajribasiga sezilarli ta'sir ko'rsatishi mumkin. Noto'g'ri yoki yomon ta'minlangan hojatxonalarga duch kelgan sayyohlar borar joyi haqida salbiy tasavvurga ega bo'lishi mumkin, bu esa qoniqishning pasayishiga olib keladi va mamlakatni boshqalarga qaytarish yoki tavsiya qilishdan to'sqinlik qiladi. Bundan tashqari, sanitariya-gigiyena vositalarining yetarli emasligi aholi salomatligi va ekologik barqarorlikka ta'sir qilishi mumkin. O'zbekiston turizmida hojatxona muammolarini hal qilish uchun ko'p qirrali yondashuv zarur. Birinchidan, rasmiylar va sayyohlik korxonalarini hojatxonalarni saqlash va yaxshilashga ustuvor ahamiyat berishlari kerak. Bu muntazam tozalash jadvallari, jihozlarni xalqaro standartlarga mos ravishda yaxshilash va barcha tashrif buyuruvchilar, jumladan, nogironlar uchun qulaylikni ta'minlashni o'z ichiga oladi.[1]

Sayyohlar va mahalliy hamjamiyatlarda gigiyena madaniyatini yuksaltirish, shuningdek, tozalik madaniyatini va hojatxonalarga hurmatni shakllantirishda muhim ahamiyatga ega. Davlat-xususiy sheriklikdan hojatxonalarni takomillashtirish va texnik xizmat ko'rsatishni moliyalashtirish uchun foydalanish mumkin, bu esa tashrif buyuruvchilarga ham, mahalliy aholiga ham foyda keltiradigan barqaror yechimlarni ta'minlaydi.[3]

MUHOKAMA VA NATIJALAR.

O'zbekistonning turizm sektoridagi hojatxona muammolari tashrif buyuruvchilarning umumiy tajribasiga va mamlakatning sayyohlik yo'nalishi sifatidagi obro'siga ta'sir qilishi mumkin bo'lgan dolzarb muammo hisoblanadi. Toza va yaxshi ta'mirlangan hojatxonaning yo'qligi butun O'zbekiston bo'ylab sayohat qiluvchi sayyohlar uchun qiyinchiliklar tug'dirmoqda. Tashrif buyuruvchilar ko'pincha gigiyenik talablarga javob bermaydigan hojatxonalar, sharoitlarning yetarli emasligi va jamoat hojatxonalariga kirishning cheklanganligi, ayniqsa mashhur sayyohlik joylari va chekka joylarda uchraydi. O'zbekistondagi hojatxonalar holati sayyohlarning mamlakat haqidagi tasavvuriga sezilarli ta'sir ko'rsatishi mumkin. Qoniqarsiz hojatxona sharoitlari tashrif buyuruvchilar orasida noqulaylik, noqulaylik va umidsizlikka olib kelishi mumkin, bu ularning umumiy tajribasini buzishi mumkin.[4]

Noto'g'ri sanitariya inshootlari nafaqat sayyohlarning qoniqishlariga ta'sir qiladi, balki sog'lig'iga xavf tug'diradi va atrof-muhitga xavf tug'diradi. O'zbekiston turizm sanoatidagi hojatxona muammolarini hal qilish uchun kompleks yondashuv zarur. Bunga mavjud hojatxonalarning texnik xizmat ko'rsatish va tozaligini yaxshilash, barcha tashrif buyuruvchilar uchun qulaylikni ta'minlash va sayyohlarni yaqin atrofdagi hojatxonalarga yo'naltirish uchun tegishli belgilarni joriy etish kiradi. Hojatxona infratuzilmasini xalqaro standartlarga javob beradigan darajada yaxshilashga investitsiyalar, jumladan, tegishli sanitariya va gigiyena choralari tashrif buyuruvchilar tajribasini oshirish uchun zarurdir. Aholining xabardorligini oshirish,

tozalik madaniyati va hojatxonalarga hurmat ko'rsatish O'zbekiston turizm sektorida hojatxona bilan bog'liq muammolarni bartaraf etishda muhim qadamdir. Ushbu muammolarni samarali va barqaror hal qilish uchun davlat organlari, turizm manfaatdor tomonlari va mahalliy hamjamiyatlarning hamkorligi muhim ahamiyatga ega. Hojatxonalarni takomillashtirish, gigiyena amaliyotini targ'ib qilish va barqaror yechimlar bo'yicha hamkorlikni rivojlantirishga ustuvor ahamiyat berish orqali O'zbekiston o'zining sayyohlik takliflarini oshirishi, ko'proq tashrif buyuruvchilarni jalb qilishi hamda turizm sanoatining o'sishi va rivojlanishiga hissa qo'shishi mumkin. O'zbekistonning turizm sektoridagi hojatxona muammolarini hal qilish nafaqat qulaylik masalasi, balki madaniy jihatdan boy va rang-barang mamlakatni kezayotgan sayohatchilar uchun ijobiy va unutilmas tajribani ta'minlashning muhim jihati hisoblanadi.[5]

O'zbekistonning turizm sektoridagi hojatxona muammolari masalasi muhokama uchun muhim mavzu bo'lib, u tashrif buyuruvchilar duch keladigan muammolar va mamlakatning umumiy turizm tajribasiga ta'sirini ko'rsatadi. O'zbekistonda toza va yaxshi ta'mirlangan hojatxonalar yo'qligining asosiy sabablaridir. Bu infratuzilmaga investitsiyalarning yetarli emasligi, gigiyena va sanitariya muhimligi haqida xabardorlikning cheklanganligi, shuningdek, mamlakatning turli mintaqalarida jamoat hojatxonalarini saqlash va ulardan foydalanish imkoniyati bilan bog'liq muammolar kabi omillarni o'rganishni o'z ichiga olishi mumkin. Yomon hojatxonalarning turistlar va O'zbekistondagi umumiy turizm industriyasiga ta'siriga e'tibor qaratish mumkin. Ishtirokchilar shaxsiy tajribalari, latifalari va statistik ma'lumotlarini baham ko'rish orqali, qoniqarsiz hojatxona sharoitlari sayohatchilarning idrokiga, qoniqish darajasiga va tashrif buyurish uchun joy tanlashda qaror qabul qilish jarayonlariga qanday ta'sir qilishi mumkinligini ta'kidlashlari mumkin. O'zbekistonning turizm sektoridagi hojatxona muammolarini hal qilishning mumkin bo'lgan yechimlarini o'rganishlari va fikr almashishlari mumkin. Bu sayyohlar va mahalliy hamjamiyatlarda hojatxona jihozlari yaxshilash va gigiyena qoidalarini yaxshilashga qaratilgan infratuzilmani yaxshilash, xabardorlik kampaniyalari, davlat-xususiy sheriklik va tartibga solish choralari kabi amaliy chora-tadbirlarni muhokama qilishni o'z ichiga olishi mumkin. O'zbekistonda turizmni barqaror rivojlantirish bo'yicha kengroq strategiya doirasida hojatxona muammolarini hal qilish muhimligini ta'kidlash mumkin. Ushbu muammoni mamlakatning turizm maqsadlari, iqtisodiy foydalari va atrof-muhit muammolari bilan bog'lash orqali ishtirokchilar tashrif buyuruvchilar tajribasini yaxshilash, aholi salomatligini himoya qilish va kelajak avlodlar uchun turizm yo'nalishlarini saqlab qolish uchun sifatli hojatxonalarga sarmoya kiritish muhimligini ta'kidlashlari mumkin. O'zbekistonning turizm sektoridagi hojatxona muammolari bo'yicha munozara bilim almashish, hamkorlik va targ'ibot-tashviqot uchun platforma bo'lib xizmat qilishi mumkin, bu muhim masala bo'yicha xabardorlikni oshirish hamda

hojatxonalar jihozlarini yaxshilash va mamlakatdagi umumiy turizm tajribasini oshirish yo'lida ijobiy o'zgarishlarga olib keladi.

XULOSA.

O'zbekiston turizmidagi hojatxona muammolarini hal qilish sayyohlar tajribasini oshirish va turizm sohasida barqaror rivojlanishga ko'maklashish uchun muhim ahamiyatga ega. Toza, foydalanish mumkin bo'lgan va yaxshi ta'minlangan hojatxona ob'ektlariga sarmoya kiritib, manfaatdor tomonlar maqsadli raqobatbardoshligini oshirishi, ko'proq sayyohlarni jalb qilishi va sanoatning umumiy o'sishiga hissa qo'shishi mumkin. Birgalikdagi sa'y-harakatlar va gigiyena va sanitariya bo'yicha umumiy majburiyat tufayli O'zbekiston o'zining sayyohlik takliflarini oshirishi va mintaqadagi eng yaxshi yo'nalish sifatida o'zini namoyon qilishi mumkin.

FOYDALANILGAN ADABIYOTLAR.

1. Tuxliyev I.S., Xaitboyev R., Tursunova G.R. Turizm asoslari. O'quv-uslubiy murakkab. - Samarqand, SamISI, 2013. - 372 b.[1]
2. Qudratov G.H., Pardayev M.Q., Otaboyev R. O'zbekistonda turizm salohiyati va uni rivojlantirishda davlat siyosatining asosiy yo'nalishlari. // xizmat ko'rsatish va turizm sohasini rivojlantirish: muammolar va ularning yechimlari. - T.: Iqtisodiyot va moliya, 2008. - b. 61-70.[2]
3. Hayitboyev R., Sattarov A. Turizm marshrutini ishlab chiqish texnologiyasi. Samarqand, 2011 yil.[3]
4. Matyakubov U.R. — Ekologik vaziyatni hisobga olgan holda turizmning samaradorligi takomillashtirish yo'nalishlari va istiqbollari mavzusida. nomzodlik dissertatsiyasining konspekti. – Samarqand, 2011. – 12 b.[4]
5. Halikulov A.N. — Mehmonxonalarda xizmat ko'rsatish sifati va samaradorligini oshirish imkoniyatlar dissertatsiya konspekti. Abstrakt. – Samarqand, 2010. – 25 b.[5]

О`ZBEKISTONNING TURIZMDAGI SALOHİYATI

Mirkomilbek O`rolov Ilhomovich

Toshkent kimyo xalqaro universiteti, turizm yo`nalishi talabasi

Annotatsiya. Ushbu maqolada O'zbekistonning sayyohlik salohiyatining turli jihatlarini, jumladan, uning tarixiy obidalari, madaniy diqqatga sazovor joylari va tabiiy go'zalligi ko'rib chiqiladi. Mavjud adabiyotlar va ma'lumotlarni har tomonlama tahlil qilish, shuningdek, ushbu salohiyatdan foydalanish usullarini o'rganish orqali ushbu maqola O'zbekistonning turizm sohasi oldida turgan imkoniyat va muammolarni yoritishga qaratilgan. Natijalar mamlakatning noyob savdo nuqtalarini ta'kidlaydi va barqaror rivojlanish strategiyasini taklif qiladi. Umuman olganda, O'zbekiston jahon sayyohlik bozorida yetakchi o'rinni egallashga tayyor.

Kalit so'zlar: O'zbekiston, turizm, tarixiy meros, madaniy diqqatga sazovor joylar, barqaror rivojlanish.

Kirish:

Mamlakatda turizmni milliy iqtisodiyotni diversifikatsiya qilish, hududlarni jadal rivojlantirish, yangi ish o'rinlarini yaratish, aholining daromadlari va turmush darajasini oshirish, mamlakatning investitsiyaviy jozibadorligini oshirishni ta'minlovchi strategik tarmoqlardan biri sifatida rivojlantirish bo'yicha kompleks chora-tadbirlar bosqichma-bosqich amalga oshirilmoqda. Xususan, turizm bozorining turli segmentlariga yo'naltirilgan turizm mahsuloti va xizmatlarini diversifikatsiya qilish, ularning raqobatbardoshligini yanada oshirish, maqbul va qulay ichki va xalqaro ziyorat turizmi muhitini yaratish, transport yo'nalishlarini kengaytirish, transport xizmatlari sifatini oshirish, turizm mahsulotlarini keng targ'ib qilish, shuningdek, mamlakatimizning sayohat va dam olish uchun xavfsiz manzil sifatidagi imijini mustahkamlash maqsadida muayyan ishlar olib borild.

Markaziy Osiyoning qoq markazida joylashgan O'zbekiston kashf etilishini kutayotgan tarixiy, madaniy va tabiiy mo'jizalar xazinasiga ega. Samarqand, Buxoro va Xivaning qadimiy Ipak yo'li shaharlaridan tortib Tyan-Shan tog'lari va Orol dengizining go'zal manzaralariga qadar ushbu Markaziy Osiyo marvaridi sarguzasht, ma'rifat va dam olishga intilayotgan sayohatchilar uchun juda ko'p tajribalarni taqdim etadi. So'nggi yillarda O'zbekiston o'zining iqtisodiy va ijtimoiy foyda keltirishi mumkinligini tan olib, turizm sohasini faol ravishda rivojlantirmoqda. Biroq, mamlakatning sayyohlik salohiyatidan to'liq foydalanish uning aktivlari va muammolarini har tomonlama tushunishni talab qiladi. Ushbu maqola O'zbekistonning sayyohlik salohiyatini ko'p o'lchovli ob'ektiv orqali o'rganish, tarixiy, madaniy va tabiiy diqqatga sazovor joylarni o'rganish, mavjud adabiyotlarni tahlil qilish va barqaror rivojlanish strategiyasini taklif etishga qaratilgan.

Adabiyot Tahlili:

O'zbekiston turizmiga oid mavjud adabiyotlar sharhi uning tarixiy ahamiyati, madaniy merosi va tabiiy go'zalligi haqida ko'plab ma'lumotlarni ochib beradi. Olimlar Samarqandning Registon maydonining me'moriy mo'jizalari, Buxoroning qadimiy masjidlari va yaxshi saqlanib qolgan eski Xiva shahrining me'moriy mo'jizalarini hujjatlashtirib, tashrif buyuruvchilarga mamlakatning boy o'tmishi va uning abadiy jozibasini haqida tushuncha berishdi. Bundan tashqari, tadqiqotlar O'zbekistonda ekoturizm salohiyatini ta'kidlab, uning Qizilqum cho'llaridan tortib to Nurota tog ' o'rmonlarigacha bo'lgan turli ekotizimlarini namoyish etdi. Shu bilan birga, adabiyotlarda infratuzilmaning cheklanishi, tabiatni muhofaza qilish masalalari va kelajak avlodlar uchun O'zbekiston merosini himoya qilish uchun barqaror turizm amaliyotiga ehtiyoj kabi muammolar ham keltirilgan.

Ussullari:

O'zbekistonning sayyohlik salohiyatini baholash uchun ma'lumotlarni tahlil qilish, manfaatdor tomonlar bilan suhbatlar va saytlarga tashriflarni o'z ichiga olgan kompleks yondashuv qabul qilindi. Davlat manbalari va sayyohlik tashkilotlaridan tashrif buyuruvchilarning kelishi, daromad olish va infratuzilmani rivojlantirish bo'yicha statistik ma'lumotlar to'plandi. Hozirgi muammolar va imkoniyatlar to'g'risida tushuncha olish uchun asosiy manfaatdor tomonlar, shu jumladan hukumat amaldorlari, turoperatorlar va mahalliy jamoalar bilan suhbatlar o'tkazildi. Saytning yirik sayyohlik joylariga tashrifi infratuzilmani, mehmonlarning tajribalarini va tabiatni muhofaza qilish harakatlarini bevosita kuzatish imkonini berdi.

Natijalar:

O'zbekiston Respublikasi Prezidentining 2019-yil 5-yanvardagi PF-5611-son Farmoniga muvofiq 2019 - 2025-yillarda O'zbekiston Respublikasida turizm sohasini rivojlantirish Konsepsiyasi tasdiqlandi. Unda:

- turizm faoliyati sohasidagi normativ-huquqiy bazani takomillashtirish, turizmni rivojlantirish uchun qulay sharoitlar yaratishga qaratilgan xalqaro me'yor va standartlarni implementatsiya qilish;
- turizm infratuzilmasini rivojlantirish hamda maqbul va qulay turizm muhitini yaratish;
- transport logistikasini rivojlantirish, ichki va tashqi yo'nalishlarni kengaytirish, transport xizmatlari sifatini oshirish;
- turizm bozorining turli segmentlariga yo'naltirilgan turizm mahsuloti va xizmatlarini diversifikatsiya qilish;
- respublika ichida turizm xizmatlariga bo'lgan ehtiyojni qondirishga yo'naltirilgan turizm faoliyati subyektlarining faolligini rag'batlantirishni ta'minlovchi ichki turizmni rivojlantirish;

- O'zbekiston Respublikasi turizm mahsulotini xalqaro va ichki turizm bozorlarida targ'ib qilish, mamlakatning sayohat va dam olish uchun xavfsiz sifatidagi imidjini mustahkamlash;

- turizm tarmog'i uchun kadrlar tayyorlash, qayta tayyorlash va malakasini oshirish tizimini takomillashtirish masalalariga alohida e'tibor qaratilgan.

O'zbekiston haqiqatan ham tarix, madaniyat va tabiiy go'zallikning boy gobelenlari bilan faxrlanib, turizm sohasida katta salohiyatga ega. Uning sayyohlik salohiyatiga hissa qo'shadigan ba'zi asosiy omillar:

• Tarixiy va madaniy diqqatga sazovor joylar: O'zbekistonda YUNESKOning bir qancha Jahon merosi ob'ektlari, jumladan, ajoyib me'morchiligi, murakkab til ishlari va Ipak yo'li davriga oid boy tarixi bilan mashhur bo'lgan qadimiy Samarqand, Buxoro va Xiva shaharlari joylashgan. Ushbu saytlar tarix ixlosmandlari, arxeologlar va madaniy izlanishlarga qiziqqan sayyohlarni jalb qiladi.

• Ipak yo'li merosi: Xitoyni Yevropa bilan bog'laydigan qadimiy Ipak yo'li savdo yo'lining muhim chorrahasi sifatida O'zbekiston savdo, ayirboshlash va madaniy diffuziyaning tarixiy ahamiyatini o'rganish uchun noyob imkoniyatni taqdim etadi. Ipak yo'li merosi mamlakat me'morchiligi, oshxonasi va hunarmandchiligida yaqqol namoyon bo'ladi.

• Mehmondo'stlik va haqiqiy tajribalar: O'zbekiston o'zining samimiy mehmondo'stligi va haqiqiy tajribalari bilan mashhur. Mehmonlar an'anaviy mehmonxonalarda qolishlari, mazali o'zbek taomlari bilan ovqatlanishlari, hunarmandchilik ustaxonalarida qatnashishlari va mahalliy jamoalar bilan muloqot qilishlari mumkin.

• Tabiiy go'zallik: O'zbekiston o'zining madaniy boyliklaridan tashqari Qizilqum va Qoraqalpog'iston cho'llaridan tortib Tyan-Shan tog'lari va Farg'onaning serhosil vodiylarigacha bo'lgan turli landshaftlarga ega. Ochiq tashabbuskorlari bunday yurish kabi faoliyatini bahramand bo'lishingiz mumkin, kemping, va yovvoyi tabiat bu chiroyli sozlash spotting.

• Infratuzilmaga investitsiyalar: O'zbekiston turizm sohasini rivojlantirish uchun infratuzilmani rivojlantirishga sarmoya kiritmoqda. Bunga transport tarmoqlarini takomillashtirish, turar joy imkoniyatlarini yangilash va keng doiradagi mehmonlarni jalb qilish uchun barqaror turizm amaliyotini targ'ib qilish kiradi.

• Vizalarni erkinlashtirish: so'nggi yillarda O'zbekistonda ko'plab mamlakatlardan kelgan sayyohlarning kirishini soddalashtirish maqsadida vizalarni erkinlashtirish choralari amalga oshirilmoqda. Ushbu tashabbus tashrif buyuruvchilar sonining sezilarli darajada oshishiga yordam berdi va mamlakatni xalqaro sayohatchilar uchun yanada qulayroq qildi.

• Madaniy tadbirlar va festivallar: O'zbekistonda yil davomida musiqa, raqs, hunarmandchilik va oshxonada o'zining jonli an'alarini namoyish etuvchi turli

madaniy tadbirlar va festivallar o'tkaziladi. Navro'z (forscha yangi yil) tantanalari va Ipak va ziravorlar festivali kabi ushbu festivallar tashrif buyuruvchilarga mahalliy madaniyat bilan tanishish imkoniyatini beradi.

• Tibbiy turizm: rivojlangan sog'liqni saqlash infratuzilmasi va arzon tibbiy xizmatlari bilan O'zbekiston qo'shni davlatlar va undan tashqaridagi bemorlarni jalb qiladigan tibbiy turizm yo'nalishi sifatida ham paydo bo'lmoqda.

Umuman olganda, O'zbekistonning tarixiy merosi, madaniy xilma-xilligi va tabiiy go'zalligi uni haqiqiy tajriba va sarguzasht izlayotgan sayohatchilar uchun istiqbolli manzil sifatida ko'rsatmoqda. O'zbekiston sayyohlik sohasini rivojlantirish borasida olib borayotgan sa'y-harakatlari bilan Markaziy Osiyoda yetakchi o'rinni egallashga tayyor.

Buyuk tarixiy, arxeologik, me'moriy va tabiiy boyliklari bilan O'zbekiston turizm uchun ajoyib imkoniyatlarga ega. Mamlakatning turli xil ekologiyasi, cho'llardan muzliklargacha, tog'lar dashtlarga, mamlakatga katta ekoturizm salohiyatini beradi. O'zbekistonda ekoturizm imkoniyatlari juda ko'p va alohida. Bularga uning sakkizta davlat zaxirasi (201,7 ming gektar), uchta milliy bog ' (598,7 ming gektar), biosfera qo'riqxonasi (68,7 ming gektar), tabiiy yovvoyi tabiatni ko'paytirish markazi (158,9 ming gektar) va o'nta tabiiy yodgorlik (3,7 ming gektar).

Muhokama:

Natijalar O'zbekistonning turizm sohasiga strategik rejalashtirish va investitsiya kiritish, uning salohiyatidan foydalanish va uzoq muddatli barqarorlikni ta'minlash muhimligini ta'kidlaydi. Faoliyatning asosiy yo'nalishlari orasida infratuzilmani rivojlantirish, marketing va reklama, merosni saqlash va jamoatchilikni jalb qilish kiradi. Tashrif buyuruvchilarning tajribasini oshirish, madaniy merosni asrab-avaylash va tabiiy resurslarni muhofaza qilish orqali O'zbekiston turli xil sayohatchilarni jalb qilishi va iqtisodiy rivojlanish uchun yangi imkoniyatlarni ochishi mumkin. Davlat idoralari, xususiy sektor manfaatdor tomonlari va mahalliy jamoalar o'rtasidagi hamkorlik muammolarni hal qilish va barcha manfaatdor tomonlar uchun maksimal foyda olish uchun juda muhimdir.

O'zbekiston sayyohlik sohasini kengaytirish uchun katta imkoniyatlarga ega. Asosiy yo'nalishlardan biri sifatida islohotlar va iqtisodiy kengaytirish, mamlakatimizda turizm o'tgan ustidan besh barobar oshirish qildi uch yil. 1 yilda O'zbekistonga 2016 millionga yaqin sayyoh tashrif buyurgan bo'lsa, bu ko'rsatkich 2,7 millionga yetdi 2017 yilda va 5,3 yilda 2018 milliondan ortiq. Chet ellik sayyohlar soni 7 taga yetishi kutilmoqda 2025 yilga kelib million va chet ellik mehmonlarning yillik valyuta daromadi shuncha ko'p bo'ladi sifatida \$2 milliard Biroq, O'zbekistonning turizm sohasi hali ham muammolarga duch kelmoqda. Bularga kambag'allar kiradi transport va to'lov tizimlari, tegishli mehmonxonalar, tibbiy xizmatlar, til yordami va sayyohlar uchun ma'lumotlarning etishmasligi. O'zbekiston sayyohlik salohiyatini

quyidagi yo'llar bilan oshirishi mumkin boshqa davlatlar va xalqaro tashkilotlar bilan hamkorlikni mustahkamlash. Qo'shimcha, O'zbekiston o'zining madaniy va tabiiy diqqatga sazovor joylarini o'rganishi va reklama uchun mablag ' sarflashi kerak bu saytlar haqida xabardorlik. Turizm resurslaridan to'g'ri foydalanish uchun O'zbekiston ham infratuzilma qurilishini takomillashtirish, shuningdek, tadbirkorlik va boshqa xususiy sektorni rivojlantirish mamlakatning sayyohlik salohiyatini ro'yobga chiqarish uchun jalb qilish.

Xulosa va takliflar:

Xulosa qilib aytganda, O'zbekiston turizmni rivojlantirish yo'lida chorrahada turibdi va ulkan salohiyat ochilishi kutilmoqda. O'zbekiston o'zining tarixiy, madaniy va tabiiy boyliklaridan foydalangan holda, infratuzilma va barqaror amaliyotga sarmoya kiritib, manfaatdor tomonlar o'rtasidagi hamkorlikni rivojlantirish orqali o'zini jahon turizm bozorida birinchi o'rin sifatida ko'rsatishi mumkin. Biroq, muvaffaqiyat tashrif buyuruvchilar, mahalliy jamoalar va atrof-muhit ehtiyojlarini muvozanatlash uchun majburiyat, yangilik va doimiy muloqotni talab qiladi. Puxta rejalashtirish va mas'uliyatli boshqaruv bilan O'zbekiston turizmning barqaror o'sishi, aholi va tashrif buyuruvchilar hayotini boyitish yo'lini belgilashi mumkin.

Foydalanilgan adabiyotlar:

1. O'zbekiston Respublikasining 2019-yil 18-iyuldagi "Turizm to'g'risida"gi O'RQ-549-son qonuni.
2. O'zbekiston Respublikasi Prezidentining 2019-yil 5-yanvardagi "O'zbekiston respublikasida turizmni jadal rivojlantirishga oid qo'shimcha chora-tadbirlar to'g'risida"gi PF-5611-son Farmoni.
3. Makhmudova, D. M., Tadjibaev, B. R., Kholboevna, G. (2020). Information and communication technologies for developing creative competence in the process of open teaching physics and maths. *International Journal of Psychosocial Rehabilitation*, 24(09).
4. Дусмуродова, Г. Х. (2020). Повышение чисел на квадрат в соответствии с основами метода трахтенберга. *International scientific review of the problems of philosophy, psychology and pedagogy*, 13-16
5. Дўсмуродова, Г. Х. (2020). Математикадан иқтидорни ўқувчилар билан ишлашда узвий ташкил этиш омиллари. *Uzluksiz ta'lim*, 1, 32-37.
6. Makhmudova, D., Sodikova, S., Dusmurodova, G. (2020). Formation of creative thinking of students of a pedagogical university by means of information technology in learning mathematical disciplines. *International Journal of Psychosocial Rehabilitation*.
7. Do'smurodova, G. X. (2020). Development of mathematics of students. *European Journal of Research and Reflection in Educational Sciences*, 8(2), 202-206

TOSHKENT SHAHRI TURIZMI RIVOJLANISHI VA UNING KAMCHILIKLARI

Asadullayev Amirxon Ilhom o'g'li

Toshkent Kimyo xalqaro universiteti turizm yo'nalishi talabasi

Annotatsiya: Ushbu maqolada biz Toshkent turizmini rivojlantirishning nozik tomonlarini ko'rib chiqamiz, shaharning kuchli, zaif tomonlarini va uning kamchiliklarini bartaraf etish va barqaror rivojlanish uchun yangi imkoniyatlarni ochish yo'lini ko'rib chiqamiz. Toshkent shahar turizmini rivojlantirish izchil davom etmoqda, biroq uning imkoniyatlarini to'liq ishga solishga to'sqinlik qiluvchi qator kamchiliklar saqlanib qolmoqda. Noto'g'ri transport va turar joy imkoniyatlari kabi infratuzilmadagi kamchiliklar tashrif buyuruvchilar uchun qiyinchiliklar tug'diradi. Bundan tashqari, shaharning tarixiy va madaniy merosiga tayanishi uning turli xil sayyohlar doirasini jalb qilishi mumkin. Samarali marketing va reklama strategiyalari Toshkentning sayyohlik yo'nalishi sifatidagi nufuzini oshirish uchun zarur. Xizmat ko'rsatish va mehmondo'stlik sifatini oshirish, shuningdek, barqarorlik va madaniy saqlanishni ta'minlash shahar turizmini rivojlantirishda hal qiluvchi ahamiyatga ega. Ushbu kamchiliklarni bartaraf etish Toshkent shahridagi umumiy turizm tajribasini oshirish va ayniqsa, yoz oylarida kengroq auditoriyani jalb qilish imkonini beradi.

Kalit so'zlar: marketing, turizm, infratuzilma, starategiya, reklama.

Аннотация: В данной статье мы рассмотрим тонкости развития ташкентского туризма, сильные и слабые стороны города, а также пути преодоления его недостатков и открытия новых возможностей устойчивого развития. Развитие городского туризма в Ташкенте неуклонно продолжается, но остается ряд недостатков, не позволяющих полностью использовать его потенциал. Инфраструктурные недостатки, такие как неадекватные варианты транспорта и размещения, создают проблемы для посетителей. Кроме того, опора города на историческое и культурное наследие может привлечь самый широкий круг туристов. Для повышения престижа Ташкента как туристического направления необходимы эффективные маркетинговые и рекламные стратегии. Повышение качества обслуживания и гостеприимства, а также обеспечение стабильности и сохранения культуры имеют решающее значение для развития городского туризма. Устранение этих недостатков улучшит общий туристический опыт в Ташкенте и привлечет более широкую аудиторию, особенно в летние месяцы.

Ключевые слова: маркетинг, туризм, инфраструктура, стратегия, реклама.

Abstract: In this article, we will consider the subtleties of the development of Tashkent tourism, the strengths and weaknesses of the city, and the way to overcome

its shortcomings and open new opportunities for sustainable development. The development of urban tourism in Tashkent continues steadily, but its a number of shortcomings that prevent the full use of its potential remain. Infrastructural deficiencies such as inadequate transport and accommodation options pose challenges for visitors. In addition, the city's reliance on historical and cultural heritage can attract a diverse range of tourists. Effective marketing and advertising strategies are necessary to increase the prestige of Tashkent as a tourist destination. Improving the quality of service and hospitality, as well as ensuring stability and cultural preservation are crucial in the development of urban tourism. Eliminating these shortcomings will improve the overall tourism experience in Tashkent and attract a wider audience, especially in the summer months.

Keywords: marketing, tourism, infrastructure, strategy, advertising

KIRISH

O'zbekiston poytaxti Toshkent tarixi va zamonaviylik chorrahasida joylashgan bo'lib, uzoq va yaqin sayohatchilarni o'rganishni kutayotgan madaniy, me'moriy va tabiat mo'jizalarining kaleydoskopini taqdim etadi. O'tgan yillar davomida Toshkent o'zini rivojlanayotgan sayyohlik yo'nalishi sifatida ko'rsatish, boy merosi va jo'shqin muhiti bilan tashrif buyuruvchilarni o'ziga jalb etish borasida sezilarli yutuqlarga erishdi. Biroq, ushbu rivojlanayotgan turizm sanoati ostida shaharning global turizm landshaftidagi to'liq salohiyatiga to'sqinlik qiladigan bir qator muammolar va kamchiliklar yotadi.[4]

ADABIYOTLAR TAHLILI VA TADQIQOT METODOLOGIYASI

O'zbekistonning jo'shqin poytaxti Toshkentda butun dunyo bo'ylab sayohatchilarni o'ziga jalb eta oladigan tarixiy, madaniy va zamonaviy diqqatga sazovor joylarning gobelenlari taqdim etilgan. Shahar o'zini Markaziy Osiyoda yetakchi sayyohlik yo'nalishi sifatida ko'rsatishga intilayotgan bir paytda, so'nggi yillarda uning o'sishiga turtki bo'lgan muhim o'zgarishlar mavjud. Biroq, bu yutuqlar bilan bir qatorda shaharning turizm sohasida to'liq salohiyatini ishga solishga to'sqinlik qiladigan qator kamchiliklar va muammolar mavjud. Toshkentning asosiy kuchli tomonlaridan biri uning boy tarixiy va madaniy merosi, qadimiy diqqatga sazovor joylari, gavjum bozorlari va turli sivilizatsiyalarning asrlar davomidagi ta'sirini aks ettiruvchi me'moriy mo'jizalari bilan faxrlanishidadir. Ushbu diqqatga sazovor joylarni ekskursiyalar, madaniy tadbirlar va merosni asrash tashabbuslari orqali namoyish qilish uchun sa'y-harakatlar amalga oshirildi, bu shaharning yashirin xazinalarini o'rganishga ishtiyoqmand mehmonlarning doimiy oqimini jalb qildi. Bundan tashqari, turizm infratuzilmasiga kiritilgan sarmoyalar mehmonxona sig'imini kengaytirish, transport tarmoqlarini yaxshilash va sayohatchilarning turli ehtiyojlarini qondiradigan turizm xizmatlarini joriy etishni ko'rsatdi. Ushbu

ishlanmalar tashrif buyuruvchilarning umumiy tajribasini oshirdi, bu sayyohlar uchun shahar bo'ylab sayohat qilish va uning jonli madaniyatiga sho'ng'ish uchun qulayroq va yoqimli bo'ldi.[3]

MUHOKAMA VA NATIJALAR

Marketing va reklama sohasida Toshkent brending tashabbuslari, raqamli marketing kompaniyalari va xalqaro sayyohlik yarmarkalarida faol ishtirok etish orqali jahon miqyosida o'z obro'sini oshirishda muvaffaqiyatlarga erishdi. Turoperatorlar va sayyohlik agentliklari bilan hamkorlik ham shaharning qamrovini kengaytirishga yordam berdi va Toshkent taklif etayotgan tarix va zamonaviylikning o'ziga xos uyg'unligini boshdan kechirish istagida bo'lgan turli xil sayyohlarni jalb qildi.[5]

Toshkentning turizm sektori o'z salohiyatini to'liq ochish uchun hal qilinishi kerak bo'lgan bir qator muammolarga duch kelmoqda. Sayyohlik inshootlarining yetarli darajada emasligi, ko'p tilli xizmatlarning cheklanganligi, Toshkentning sayyohlik maskani sifatidagi ma'lumotlarning yo'qligi kabi kamchiliklar tashrif buyuruvchilarni jalb etish va ushlab turishga to'sqinlik qilmoqda. Bundan tashqari, xavfsizlik, xavfsizlik va ekologik barqarorlik bilan bog'liq muammolar shaharda mehmondo'st va barqaror turizm muhitini yaratish bo'yicha doimiy harakatlar zarurligini ta'kidlaydi. Ushbu muammolarni yengib o'tish va rivojlanish imkoniyatlaridan foydalanish uchun Toshkent o'zining rivojlanish strategiyasida jamoatchilik ishtiroki, manfaatdor tomonlar hamkorligi va barqaror turizm amaliyotiga ustuvor ahamiyat berishi kerak. Mahalliy hamjamiyatlarni jalb qilish, madaniy o'ziga xoslikni saqlash va mas'uliyatli turizm amaliyotlarini targ'ib qilish orqali shahar tashrif buyuruvchilarga ham, aholiga ham foyda keltiradigan yanada inklyuziv va barqaror turizm ekotizimini yaratishi mumkin.[2]

O'zbekiston poytaxti Toshkent shahrida turizmni rivojlantirish masalalari ham sayyohlarni jalb etish borasida erishilgan yutuqlarga, ham shaharning turizm yo'nalishi sifatida to'liq salohiyatga ega bo'lishiga to'sqinlik qilayotgan mavjud kamchiliklarga oydinlik kiritishi mumkin bo'lgan qiziqarli mavzudir. Toshkent o'zining boy tarixi, rang-barang madaniy merosi va noyob me'moriy yodgorliklari bilan mashhur. Ishtirokchilar ushbu diqqatga sazovor joylarni tashrif buyuruvchilarga targ'ib qilish bo'yicha qilingan sa'y-harakatlarni, shuningdek, tarixiy joylarni saqlash, madaniy tadbirlarni targ'ib qilish va sayohatlar va merosni saqlash tashabbuslari orqali umumiy turizm tajribasini oshirish bilan bog'liq muammolarni muhokama qilishlari mumkin. Muhokama Toshkent shahridagi turizm infratuzilmasini, jumladan, transport vositalari, joylashtirish imkoniyatlari va turizm xizmatlarini rivojlantirish masalalariga ham e'tibor qaratishi mumkin. Ishtirokchilar shaharga tashrif buyurgan sayohatchilarning turli ehtiyojlarini qondirish uchun mehmonxona sig'iminin kengayishi, jamoat transportining mavjudligi va turistlar uchun qulay qulayliklar mavjudligini ta'kidlashlari mumkin. Yana bir muhim jihat Toshkentga tashrif

buyuruvchilarni jalb qilish uchun qo'llaniladigan marketing va reklama strategiyalaridir. Ishtirokchilar shahar brendingi, raqamli marketing kampaniyalari, xalqaro sayyohlik yarmarkalarida ishtirok etish, shuningdek, ko'rinishni oshirish va sayyohlarni yanada xilma-xil doirasini jalb qilish uchun turoperatorlar va sayyohlik agentliklari bilan hamkorlikni muhokama qilishlari mumkin. Toshkent shahar turizmini har tomonlama rivojlantirishga to'sqinlik qilayotgan mavjud kamchilik va muammolarni bartaraf etish hal qiluvchi ahamiyatga ega. Bunga turistik ob'ektlarning yetarli darajada ta'minlanmagani, ko'p tilli xizmatlarning yo'qligi, Toshkentning sayyohlik maskani sifatidagi xabardorligining cheklanganligi, shuningdek, shaharda xavfsizlik, xavfsizlik va ekologik barqarorlik bilan bog'liq muammolar kiradi. Ishtirokchilar, shuningdek, Toshkent shahar turizmini rivojlantirishda hamjamiyat ishtiroki, manfaatdor tomonlar hamkorligi va barqaror turizm amaliyotining rolini o'rganishlari mumkin. Mahalliy hamjamiyatlarni jalb qilish, madaniy o'ziga xoslikni saqlash va mas'uliyatli turizm amaliyotlarini targ'ib qilish muhimligini muhokama qilish orqali, muhokama Toshkent va uning aholisi uchun barqaror turizmni rivojlantirishning uzoq muddatli afzalliklarini ta'kidlashi mumkin. Toshkent shahar turizmini rivojlantirish va uning kamchiliklarini muhokama qilish qimmatli fikrlar, tavsiyalar va mavjud muammolarni hal qilish, shaharning sayyohlik yo'nalishi sifatidagi salohiyatidan foydalanish va Toshkentga tashrif buyuruvchilarning umumiy tajribasini oshirish bo'yicha hamkorlik uchun imkoniyatlar yaratishi mumkin.[1]

XULOSA

Xulosa qilib aytadigan bo'lsak, Toshkent turizmining rivojlanishi shaharning kelajagi uchun Markaziy Osiyoning gullab-yashnayotgan turizm yo'nalishi sifatida katta va'dalar beradi. O'zining kamchiliklarini bartaraf etish, kuchli tomonlarini ishga solish va turizmni barqaror rivojlantirishga yaxlit yondashuvni qo'llash orqali Toshkent o'zini O'zbekistonning markazida noyob va o'ziga xos madaniy tajribani izlayotgan sayohatchilar uchun tashrif buyurishi shart bo'lgan manzil sifatida ko'rsatishi mumkin.

FOYDALANILGAN ADABIYOTLAR

1. Tuxliyev I.S., Xaitboyev R., Tursunova G.R. Turizm asoslari. O'quv-uslubiy murakkab. - Samarqand, SamISI, 2013. - 372 b.[1]
2. Qudratov G.H., Pardayev M.Q., Otaboyev R. O'zbekistonda turizm salohiyati va uni rivojlantirishda davlat siyosatining asosiy yo'nalishlari. // xizmat ko'rsatish va turizm sohalarini rivojlantirish: muammolar va ularning yechimlari. - T.: Iqtisodiyot va moliya, 2008. - b. 61-70.[2]
3. Hayitboyev R., Sattarov A. Turizm marshrutini ishlab chiqish texnologiyasi. Samarqand, 2011 yil.[3]
4. Matyakubov U.R. —Ekologik vaziyatni hisobga olgan holda turizmning samaradorligi takomillashtirish yo'nalishlari va istiqbollari mavzusida. nomzodlik dissertatsiyasining konspekti. — Samarqand, 2011. — 12 b.[4]
5. Halikulov A.N. —Mehmonxonalarda xizmat ko'rsatish sifati va samaradorligini oshirish imkoniyatlar dissertatsiya konspekti. Abstrakt. — Samarqand, 2010. — 25 b.[5]

EKOTURIZMGA MILLIY O'YINLARIMIZNI KIRITISH

Ismog'ilov Bilol ibrohimovich

Toshkent kimyo xalqaro universiteti, turizm yo`nalishi talabasi

Annotatsiya. Ushbu maqola barqaror rivojlanish strategiyasi sifatida milliy o'yinlarni targ'ib qilish va ekoturizmni rivojlantirish o'rtasidagi potentsial sinergiyani o'rganadi. Adabiyotlarni keng qamrovli tahlil qilish orqali biz milliy o'yinlarni ekoturizm tashabbuslariga kiritishning afzalliklari va muammolarini o'rganamiz. Bundan tashqari, biz ushbu ikki sohani samarali birlashtirish va potentsial natijalarni muhokama qilish usullarini taklif qilamiz, so'ngra kelgusida tadqiqotlar va amalga oshirish uchun xulosa va takliflar.

Kalit so'zlar: Milliy o'yinlar, ekoturizm, barqaror rivojlanish, integratsiya, turizmni boshqarish.

Kirish:

Milliy o'yinlar mamlakatning madaniy o'ziga xosligi va sport merosini ifodalaydi, ekoturizm esa tabiiy resurslarni saqlash va barqaror amaliyotni rivojlantirishga urg'u beradi. Ushbu ikki elementni birlashtirish madaniy qadrlash va atrof-muhitni muhofaza qilishni targ'ib qilish uchun noyob imkoniyatni taqdim etadi. Ushbu maqola milliy o'yinlarni ekoturizm tashabbuslariga qo'shishning potentsial afzalliklarini o'rganadi va ularning sinergetik ta'sirini maksimal darajada oshirish strategiyasini taklif qiladi.

O'zbekiston tarixiy va madaniy obidalarga boy turistik mamlakatlardan biridir. Bundan tashqari uning tabiiy va ekoturistik salohiyatidan turizm maqsadlarida hududlarda etarlicha foydalanilmayapti. Buning uchun xorij tajribasi asosida ekoturizmni rivojlantirishning milliy modelini yaratish dolzarb masalalardan biri hisoblanadi.

Adabiyot Tahlili:

Ko'plab tadqiqotlar ekoturizmning iqtisodiy, ijtimoiy va ekologik afzalliklarini ta'kidladi. Biroq, milliy o'yinlarni ekoturizmga integratsiya qilish salohiyati asosan o'rganilmagan bo'lib qolmoqda. Mavjud adabiyotlarni tahlil qilib, biz ushbu integratsiya bilan bog'liq imkoniyatlar va muammolarni aniqlashni maqsad qilganmiz. Bundan tashqari, biz muvaffaqiyatli yondashuvlarni tushunish uchun turli mintaqalardagi amaliy tadqiqotlar va eng yaxshi amaliyotlarni ko'rib chiqamiz.

Usullari:

Ushbu tadqiqotni o'tkazish uchun biz keng qamrovli adabiyotlarni ko'rib chiqish metodologiyasidan foydalandik. Biz milliy o'yinlar, ekoturizm va barqaror rivojlanish bilan bog'liq tegishli kalit so'zlardan foydalangan holda akademik ma'lumotlar bazalarini, hisobotlarni va kulrang adabiyotlarni muntazam ravishda qidirdik. Biz

mavjud adabiyotdagi umumiy mavzular, tendentsiyalar va bo'shliqlarni aniqlash uchun topilmalarni sintez qildik.

Bugungi kunda ekologik turizm jadal rivojlanib borayotgan turizm industriyalarining biridir. Bu soha jahon turizm industriyasidagi ulushi - 4% ni, ekoturizm xizmatlaridan olinadigan daromad 55 mlrd dollar va uning yillik o'sishi 30% tashkil qilmoqda. Bu ko'rsatkich 2020 yilga borib jahon turizm industriyasining asosiy strategik yo'nalishlaridan biriga aylanishi mutaxassislar tomonidan bashorat qilinmoqda.

Natijalar:

Jahonda ekoturizmni rivojlantirishda yagona, har bir davlatlarning tabiiy iqlim sharoitiga, ulardagi turizm resurslaridan foydalanishda to'g'ridan-to'g'ri mos keladigan, qulay bo'lgan modellar yoki usullar hozirgacha ishlab chikilgan emas. Lekin, ekoturizmni rivojlantirishda milliy parklardan va davlat tabiiy qo'riqxonalaridan foydalanish masalalari yaxshi tadqiq qilingan.

Milliy parklar - bu tabiiy landshaftni va undagi biologik xilma-xillikni, bir va bir necha ekologik tizimlarni har taraflama muhofaza qiluvchi, aholining dam olish tizimini yaratishga imkoniyatlar yaratuvchi, hosil qiluvchi va dunyoning ko'plab davlatlari ekoturizmga foydalanayotgan, biri-birini qo'vvatlab kelayotgan tabiiy majmualardir. Hozirgi vaqtda dunyoda 3 mingdan ortiq milliy parklar bor. Dunyoda milliy parklardan foydalanishda ko'pdan-ko'p usullar, uslubiyatlar va modellar bor. Bunday modellar hozir ham ixtiro qilinmoqda. Ko'p xollarda dunyodagi milliy parklardan ekoturizmga foydalanishda xususiy moliyaviy ta'minot oldinga surilmoqda. Ekoturizmning prinsiplari bo'yicha ham ekoturist dam oladi va tabiat bag'rida dam olganligi uchun minimal soliq, xaq to'laydi. Milliy moliyalashtirish manbalari asosida rivojlanayotgan milliy parklar asosan o'z davlatidagi xomiylar hisobiga faoliyat olib boradi. Hozirda bunday davlatlar soni dunyoda 30 dan ortdi. Ularning yillik daromadi 1 mlrd. AQSH dollaridan oshdi. Mahalliy manbadan daromad qiluvchi milliy parklar o'zlarini asosan ekoturizmdan olinadigan foyda hisobidan moliyalashtirmoqdalar. Milliy parklardan ekoturizmga foydalanishdan Kanada davlati har yili 250 mln dollar, AQSH esa 870 mln dollar foyda olmoqdalar. Yaponiyaning milliy parklariga har yili 316 mln ekoturist tashrif buyuradi. SHulardan 252,8 mln. yaponlarni, 6,2 mln. xorijiy ekoturistlarni tashkil qiladi. Hozirgi vaqtda milliy parklarning 4 ta modeli bor. Bu modellarning alohida - alohida model sifatida ajratilishi o'ziga xos xususiyatlarga asoslangan: 1. Amerika modeli. 2. Evropa modeli. 3. Park rezervat modeli 4. Osiyo odeli

Milliy o'yinlarni ekoturizmga kiritish madaniy saqlash uchun ham, barqaror sayohatni qadrlaydigan sayyohlarni jalb qilish uchun ham g'alaba qozonish imkoniyatiga ega. Bu erda ishlashning ba'zi usullari:

Turistik tajribani oshirish:

Интерактив namoyishlar: sayyohlar o'yin tarixi, qoidalari va madaniy ahamiyati haqida mahalliy aholi namoyishlari orqali bilib olishlari mumkin. Bu o'yinning kelib chiqishiga tegishli tabiiy sharoitlarda amalga oshirilishi mumkin.

Ishtirok etish imkoniyatlari: ekoturizm tajribalari sayyohlarga milliy o'yinning soddalashtirilgan versiyasida o'zlarini sinab ko'rishlari uchun imkoniyat yaratishi mumkin. Bu madaniy almashinuvni rivojlantiradi va doimiy xotiralarni yaratadi.

Musobaqalar va festivallar: milliy o'yin atrofida ekologik toza turnirlar yoki festivallarni tashkil qiling. Bu madaniy jihatlariga qiziqqan sayyohlarni jalb qiladi va suvenirlarni mas'uliyatli sotish va mahalliy oziq-ovqat variantlari orqali mahalliy iqtisodiyotni rag'batlantiradi.

Barqarorlikni qo'llab-quvvatlash:

Mahalliy materiallardan foydalaning: iloji boricha o'yin uskunolari uchun mahalliy manbalardan, ekologik toza materiallardan foydalanishni rag'batlantiring. Bu ekologik izni kamaytiradi va mahalliy hunarmandlarni qo'llab-quvvatlaydi.

Ekologik ongli amaliyotlarni targ'ib qiling: chiqindilarni kamaytirish va suvdan mas'uliyatli foydalanish kabi ekologik toza amaliyotlarni o'yin namoyishlari va tadbirlariga qo'shing. Bu sayyohlarga madaniy tajribadan zavqlanib, barqarorlik to'g'risida ma'lumot beradi.

Mahalliy muhitni ajratib ko'rsatish: agar milliy o'yin an'anaviy ravishda ma'lum bir tabiiy muhitda o'tkazilsa, undan sayyohlarga mahalliy ekotizim va tabiatni muhofaza qilish harakatlari haqida ma'lumot berish uchun trampoline sifatida foydalaning.

O'yinni moslashtirish: ba'zi milliy o'yinlar o'zgartirishlarni barqaror tarzda o'tkazishni talab qilishi mumkin. Bunga kichikroq o'yin maydonlaridan foydalanish, kerakli uskunalarni kamaytirish yoki qayta ishlangan materiallardan foydalanish kiradi.

An'analarni hurmat qilish: milliy o'yinni mahalliy jamoalarning ishtiroki va roziligi bilan hurmat bilan amalga oshirilishini ta'minlash.

Milliy o'yinlarni ekoturizm tajribalariga puxta rejalashtirish va integratsiya qilish orqali siz barqaror sayohat amaliyotini targ'ib qilishda madaniy merosni nishonlashning o'ziga xos usulini yaratishingiz mumkin.

Mamlakatimizda ekologik turizmni rivojlantirishda xalqaro ekoturistik modellarni qo'llash bo'yicha quyidagi tavsiyalarni berish mumkin:

Ekologik turizmni vatanimizda rivojlantirishda birinchi navbatda ekologik turizmni rivojlantirishda xalqaro modellarning tavsif va tariflarini, bu modellarning maqsadi va vazifalarini, modellar bo'yicha amalga oshiriladigan ishlarni batafsil o'rganish talab qilinadi:

Mamlakatimizda ekologik turizmni rivojlantirishda xalqaro ekologik modellarni qo'llash ob'ektlari ekoturistik foydalanish nuqtai nazaridan mufassal o'rganilishi lozim:

Alohida muhofaza qilinadigan hududlar va tabiat qo'riqxonalari, milliy bog'lardan ekologik turizmni rivojlantirishda foydalanishning huquqiy va me'yoriy xujjatlarini davlat miqyosida ishlab chiqish:

Ekologik turizmni rivojlantirishda mamlakatimizning ekoturistik resurslari va ob'ektlari xalqaro va ichki turizm bo'yicha darajalarga bo'linishi, bu ob'ektlarning turizmga foydalanish imkoniyatlarini o'rganish:

Ekologik turizmni rivojlantirishdagi eng muhim masalalardan biri- ekologik turizm resurslari madaniy markazlardan ancha uzoq masofalarda joylashganligi sababli bu maskanlarda turistik infratuzilmalarning tashkil etilmaganligi hisoblanadi. Shuning uchun ham birinchi navbatdagi vazifalardan biri- alohida muhofazadagi hududlar, davlat tabiat qo'riqxonalari va milliy bog'larimizda ekoturistlariga infratuzilma tizimini va xizmatlarini tashkil qilish:

Mamlakatimizda ekologik turizmni rivojlantirish dolzarb masalalardan ekanligi va bu istiqbolli yo'nalishda ekologik turizmni rivojlantirishning xalqaro modellarini qo'llashning reklamalarini ishlab chiqish hamda xalqaro va ichki turizm bozorlariga chiqarish:

Ekologik turizmni rivojlantirishda yana bir muhim masalalardan biri shundan iboratki, turizm boshqaruvida «O'zbekistonda turizmni rivojlantirish davlat qo'mitasi»da va uning viloyatlardagi mintaqaviy bo'limlarida, ekskursiya sayohat byurolarida -«Ekologik turizmni tashkil qilish va boshqarish tizimi»ni tashkil qilish tuzilmalari shakllantirilish:

Istiqbolda ekologik turizmni rivojlantirishdagi yana bir dolzarb masalalardan biri - barcha viloyatlarimizda aholining qiziqishini, tadbirkorligini va tashabbuskorligini tashkil qilish, aholining ijtimoiy va iqtisodiy manfaatdorligini ta'minlovchi imtiyozli davlat qarorlarini ishlab chiqish:

Muhokama:

Milliy o'yinlarning ekoturizmga qo'shilishi barqaror rivojlanish maqsadlariga erishish uchun istiqbolli imkoniyatni taqdim etadi. Milliy o'yinlarning madaniy ahamiyati va ekoturizmni saqlash axloqidan foydalangan holda, mamlakatlar tashrif buyuruvchilarga ham, mahalliy jamoalarga ham foyda keltiradigan noyob tajribalarni yaratishi mumkin. Biroq, ehtiyotkorlik bilan rejalashtirish, manfaatdor tomonlarni jalb qilish va monitoring mexanizmlari potentsial salbiy ta'sirlarni yumshatish va ijobiy natijalarni oshirish uchun juda muhimdir.

Xulosa va takliflar:

Xulosa qilib aytganda, milliy o'yinlarning ekoturizmga qo'shilishi madaniy almashinuv, iqtisodiy o'sish va atrof-muhitni muhofaza qilishga yordam beradi. Ushbu

имтиyozlarni amalga oshirish uchun siyosatchilar, turizm ma'murlari va mahalliy jamoalar madaniy saqlashni atrof-muhitni boshqarish bilan muvozanatlashtiradigan yaxlit strategiyalarni ishlab chiqishda hamkorlik qilishlari kerak. Amalga oshirishning aniq asoslarini o'rganish, integratsiyalashgan tashabbuslarning samaradorligini baholash va turli xil sharoitlarda eng yaxshi amaliyotlarni tarqatish uchun qo'shimcha tadqiqotlar o'tkazish zarur.

Kelajakdagi tadqiqotlar uchun takliflar:

- Milliy o'yinlarni ekoturizmga integratsiyalashning muvaffaqiyatli misollarini o'rganish uchun amaliy tadqiqotlar o'tkazish.

-Ekoturizm-milliy o'yinlar tashabbuslarida tashrif buyuruvchilar tajribasini oshirish va barqaror amaliyotni targ'ib qilishda texnologiyaning rolini o'rganing.

-Integratsiyalashgan tashabbuslarning mahalliy jamoalar va manfaatdor tomonlarga ijtimoiy-iqtisodiy ta'sirini baholash.

-Ekoturizm-milliy o'yinlar loyihalarini rivojlantirishni qo'llab-quvvatlash uchun innovatsion moliyalashtirish mexanizmlarini o'rganish.

Ushbu tadqiqot kamchiliklarini bartaraf etish orqali biz milliy o'yinlar va ekoturizm o'rtasidagi sinergiya haqidagi tushunchamizni rivojlantirishimiz va ularning barqaror rivojlanish uchun barcha imkoniyatlarini ochishimiz mumkin.

Adabiyotlar.

1.O'zbekiston Prezidentining "O'zbekiston Respublikasini 2017-2021 yillarda rivojlantirish bo'yicha harakatlar strategiyasi to'g'risida"gi farmoni -Toshkent, 2017

2.O'zbekiston Respublikasining «Turizm sohasini jadal rivojlantirishni ta'minlash chora-tadbirlari to'g'risida»gi Farmoni, 2017.

3.Александрова А.Ю. Международный туризм: Учебник-М.:Аспект Пресс,2002-470 с.

4.Ердавлетов С.Р География туризма: история, теория, методы, практика - Алматы. 2000 - 336 с.

5.Комилова Ф. Халқаро туризм бозори. –Т.: TDIU, 2001. - 64 б.

6.Хайитбоев Р., Матякубов У. Экологик туризм.-Самарканд. 2010

GENERAL CHARACTERISTICS OF THE ECHINOPS SPHAEROCEPHALUS AND ITS PRACTICAL SIGNIFICANCE

Давидов Махмуджон Адхамович

*Фаргона давлат университети, Ботаника ва
биотехнология ва экология кафедраси, доценти*

Жумабоева Ферузабону Равшанбек қизи

*Фаргона давлат университети
Биология йўналиши 3-курс талабаси*

Аннотация: В статье представлены сведения об общей характеристике мордовника шароголового (*Echinops sphaerocephalus*), о его высокой медоносности, а также о его распространении на территории Ферганы.

Ключевые слова: мордовник шароголовый, медоносность, нектраная продуктивность, распространенность, схожесть семян.

Annotatsiya: Bizning ushbu maqolamizda qunduzoyning (*Echinops sphaerocephalus*) umumiy tavsifi, uning yuqori asal-shiraga boyligi, shuningdek, Farg'ona shahri hududida tarqalishi haqida ma'lumotlar keltirilgan.

Kalit so'zlar: qunduzoy (*Echinops sphaerocephalus*), asal shiragaboyligi, tarqalishi, urug'larning unib chiqishi.

Abstract: The article presents information about the general characteristics of the roundhead snout (*Echinops sphaerocephalus*), its high honey content, as well as its distribution in the territory of Fergana.

Key words: round-headed mordovian, honey-bearing capacity, nectar productivity, prevalence, seed germination.

Echinops sphaerocephalus is a perennial, drought-resistant plant belonging to the Asteraceae family. The height reaches from 0.8 to 2.5 meters.

The flowers are small, grouped in groups of 200-300 in spherical inflorescences of lilac-white color. *Echinops sphaerocephalus* can grow in one place for up to 20 years. Chalk and calcareous soils are favorable for its growth. Seeds should be stored in paper bags or bags in a well-ventilated area. Subject to storage conditions, their germination is maintained for three years. Germination rate 92%. The seeds do not require preliminary preparation for sowing.

Echinops sphaerocephalus can be sown in late autumn or spring, scattering it using discs onto loosened soil at the rate of 10-12 kg of seeds per hectare. It is possible to sow in a mixture with tansy phacelia, the seed ratio is 5 kg of *Echinops* and 8 kg of phacelia per 1 hectare. The depth of seeding is 2-3 cm, the inter-row width is 70-80

cm. After sowing in the first year, a leaf rosette will grow from the seeds, and in the second year a flowering shoot will grow.

Echinops sphaerocephalus can be used for seeding uncultivated land adjacent to an apiary (meadows, ravine slopes, among bushes). The globe-headed *Echinops* blooms for more than a month, from mid-July to the end of August. The plant's nectar productivity is very high. In conditions of average humidity and temperatures above 25 degrees, the seasonal nectar content averages at least 2 mg. In dry weather, the nectar production of Echinaceae decreases by 50%, but does not stop, unlike many other honey plants. The nectar is colorless, transparent, and has a pleasant spicy smell. The sugar concentration in it is very high and reaches 65-70%. Under favorable climatic conditions, up to 700-800 kg of honey can be collected from one hectare of *Echinops* thickets. In addition to nectar, bees collect whitish pollen from the flowers of the plant. The honey that bees collect from the sharogola is included in the honey collected from forbs. It has a delicate aroma, light amber hue and pleasant taste. This honey contains useful biologically active components, therefore it is considered healing.

The yield of *Echinops* seeds reaches up to 20 centners per hectare. The seeds are collected in mid-August and are easily threshed from the flower heads. From them you can get a large amount of oil, just like honey, which has healing properties.

***Echinops sphaerocephalus* is the best sowing honey plant**

Echinops sphaerocephalus is one of the most powerful sowing honey plants. But despite this, it has not yet received wide distribution. In this article I will talk about the possible reasons for the slow spread of *Echinops* in apiaries and about the main advantages of *Echinops* over other popular honey plants.

Advantages of the sharogolny mordovnik

- *Echinops* has a very high nectar productivity: on par with small-leaved linden and the highest among common sown honey plants - up to 1000 kg/ha
- *Echinops sphaerocephalus* crops can survive in the same place for several decades and do not require maintenance. Over time, it displaces almost all weeds and nothing stops it from growing and benefiting bees.
- *Echinops sphaerocephalus* produces nectar at a very wide range of temperatures - from + 15 to + 38 ° C (and possibly even at lower and higher temperatures).
- *Echinops sphaerocephalus* is a drought-resistant honey plant and does not die even with a very long absence of rain and high temperatures
- *Echinops* honey does not crystallize for a very long time and is ideal for wintering bees
- Blooms for 25-45 days in July-September depending on the climate of the region.

Echinops differs favorably from other common honey plants in its flowering time, nectar productivity, drought resistance, as well as low costs for producing 1 kg of honey.

Reasons for slow spread

Seemingly high price for Echinops seeds.

In fact, the cost of Echinops seeds is not that high. There are also honey plants with more expensive seeds, but lower nectar productivity, for example, motherwort and borage, not counting other less common ones.

Usually the cost of Echinops is compared with the cost of phacelia, bruise, and sweet clover. If we take into account the costs of preparing the land and sowing one hectare, the difference will not be so significant. If, after this, we take into account nectar productivity, then the cost of obtaining 1 kg of honey from Echinops will be lower than 1 kg of honey from phacelia or sweet clover. And if we take into account that Echinops, sown once, will bloom for many years, then it will turn out to be a much more profitable honey plant.

There is no possibility of mechanized seed harvesting

Echinops seeds ripen very unevenly, which leads to great difficulties with their mechanized harvesting. I won't go into depth here, because... This topic is for a whole separate article.

Difficulty in sowing large volumes

It is almost impossible to sow the globe-headed Echinops with a seeder due to the fact that its seeds are inside a shell consisting of a large number of bristles, which make the seeds completely non-flowing.

At first glance, this is a very serious problem, but it is very easy to solve. If you really want to sow with a seeder, you can peel the seeds from the shell, although this will significantly reduce the quality of the seeds. On the other hand, a large volume can be sown very easily using a fertilizer spreader. We are always ready to tell our customers exactly how to do this. In this case, maximum seed germination is maintained and they are not damaged during sowing.

The plant is widespread on the territory of Ferghana, it can be found in Tashlak, Kirgili, Ferghana

Адабиётлар рўйхати

1. Верник Р.С., Рахимова Т.Т. Естественная растительность и пастбища адыров Наманганской области. – Ташкент: Фан, 1982. – 89 с.
2. Годин В.Н. Биология цветения и половой полиморфизм у видов семейства Ариасеae(Московская область) Ботанический журнал.-2017.-Т.102,№1.- С.35-47
3. Демьянова Е.И. К изучению антэкологии и полового полиморфизма *Seseli ledeborii* G.Don.Fil (Umbelliferae) // Вестн. Перм. ун-та. 1995. Вып. 1. Биология. С. 45–53.

4. Демьянова Е.И. К изучению антропоэкологии и полового полиморфизма зонтичных лесостепного Зауралья. I. О протерандрии у зонтичных /Е.И.Демьянова/ Вестн. Перм. ун-та. 1995. Вып. 2. Биология.2000. С. 45–54.
5. Кордюм Е.Л., Глущенко Г.И. Цитоэмбриологические аспекты проблемы пола покрытосеменных. Киев: Наукова думка, 1976. 197 с.
6. Кузнецова Т. В., Тимонин А. К. Соцветие: морфология, эволюция, таксономическое значение (применение комплементарных подходов). М. Товарищество научных изданий КМК, 2017. – 183 с.
7. Коровин Е.П. // Флора Узбекистана. – Т. III. – Ташкент, 1959. – С. 455.
8. Пименов М.Г. *Mogoltavia Korovin* – *Mogoltavia Korovin* – Моголтавия Моголтавия // Определитель растений Средней Азии. – Т. VII. – Ташкент, 1983. – С. 228.
9. Пименов М.Г., Ключиков Е.В. Зонтичные Киргизии. – Москва: КМК Scientific Press Ltd., 2002. – 288 с
10. Пименов М.Г. *Mogoltavia sewerzowii* (Regel) Korovin // Красная книга Республики Узбекистан. – Ташкент: Chinor ENK, 2009б. – С. 112.
11. Пименов М.Г., Ключиков Е.В. Зонтичные Киргизии. – Москва: КМК Scientific Press Ltd., 2002. – 288 с.
12. Пономарёв А.Н. Изучение цветения и опыления растений // Полевая геоботаника. Т. 17. М., Л.: АН СССР, 1960. Т. 2. – С. 9–19.
13. Пономарёв А.Н. О протерандрии у зонтичных /А.Н.Понамарев// Доклады АН СССР.-1960.-Т-135.-С.750-752.
14. Тожибаев К.Ш. Флора Юго-Западного Тянь-Шаня. – Ташкент: Фан, 2010. – 99 с.
15. Тожибаев К.Ш. Наралиева Н.М. Новые местонахождения редких и эндемичных видов Ариасеае Узбекистана. *Turczaninowia*, 2012. 15 (4), 31-33.
16. Хасанов Ф.О., Мальцев И.И. Новый род *Kamelinia* (Ариасеае) из Средней Азии // Узб. биол. журн, 1992. – № 2. – С. 49–53.
17. Хасанов Ф.У., Красная книга Республики Узбекистан. – Ташкент: Chinor ENK, 2019б. – С. 4-7.
18. Хошимов Х.Р. Фарғона водийси шимолий адирликлари флораси. Диссертация автореферат Тошкен.2023й. 46-бет.
19. Robinsohn I. Die Färbungsreaktion der Narben, Stigmattochromie, als morphologische Blütenuntersuchungsmethod. *sitzungsber. akad. wiss.* 1924. -bd.133. -H.6. -P.181-211. a district (Satkak, Vodil) and in other areas of this region.
20. 1.Верник Р.С., Рахимова Т.Т. Естественная растительность и пастбища адыров Наманганской области. – Ташкент: Фан, 1982. – 89 с.
21. Годин В.Н. Биология цветения и полового полиморфизм у видов семейства Ариасеае (Московская область) Ботанический журнал.-2017.-Т.102, №1.- С.35-47
22. Демьянова Е.И. К изучению антропоэкологии и полового полиморфизма *Seseli ledeborii* G.Don.Fil (Umbelliferae) // Вестн. Перм. ун-та. 1995. Вып. 1. Биология. С. 45–53.

23. Демьянова Е.И. К изучению антропоэкологии и полового полиморфизма зонтичных лесостепного Зауралья. I. О протерандрии у зонтичных /Е.И.Демьянова/ Вестн. Перм. ун-та. 1995. Вып. 2. Биология.2000. С. 45–54.
24. Кордюм Е.Л., Глущенко Г.И. Цитоэмбриологические аспекты проблемы пола покрытосеменных. Киев: Наукова думка, 1976. 197 с.
25. Кузнецова Т. В., Тимонин А. К. Соцветие: морфология, эволюция, таксономическое значение (применение комплементарных подходов). М. Товарищество научных изданий КМК, 2017. – 183 с.
26. Коровин Е.П. // Флора Узбекистана. – Т. III. – Ташкент, 1959. – С. 455.
27. Пименов М.Г. *Mogoltavia Korovin* – *Mogoltavia Korovin* – Моголтавия Моголтавия // Определитель растений Средней Азии. – Т. VII. – Ташкент, 1983. – С. 228.
28. Пименов М.Г., Ключиков Е.В. Зонтичные Киргизии. – Москва: КМК Scientific Press Ltd., 2002. – 288 с
29. Пименов М.Г. *Mogoltavia sewerzowii* (Regel) Korovin // Красная книга Республики Узбекистан. – Ташкент: Chinor ENK, 2009б. – С. 112.
30. Пименов М.Г., Ключиков Е.В. Зонтичные Киргизии. – Москва: КМК Scientific Press Ltd., 2002. – 288 с.
31. Пономарёв А.Н. Изучение цветения и опыления растений // Полевая геоботаника. Т. 17. М., Л.: АН СССР, 1960. Т. 2. – С. 9–19.
32. Пономарёв А.Н. О протерандрии у зонтичных /А.Н.Понамарев// Доклады АН СССР.-1960.-Т-135.-С.750-752.
33. Тожибаев К.Ш. Флора Юго-Западного Тянь-Шаня. – Ташкент: Фан, 2010. – 99 с.
34. Тожибаев К.Ш. Наралиева Н.М. Новые местонахождения редких и эндемичных видов Ариасеае Узбекистана. *Turczaninowia*, 2012. 15 (4), 31-33.
35. Хасанов Ф.О., Мальцев И.И. Новый род *Kamelinia* (Ариасеае) из Средней Азии // Узб. биол. журн, 1992. – № 2. – С. 49–53.
36. Хасанов Ф.У., Красная книга Республики Узбекистан. – Ташкент: Chinor ENK, 2019б. – С. 4-7.
37. Хошимов Х.Р. Фарғона водийси шимолий адирликлари флораси. Диссертация автореферат Тошкен.2023й. 46-бет.
38. Robinsohn I. Die Färbungsreaktion der Narben, Stigmattochromie, als morphologische Blütenuntersuchungsmethod sittingsber .akad . wiss.1924.-bd.133.-H.6.-P.181-211.

NEMIS TILI DARSLARIDA O'QUVCHILARNING NUTQINI RIVOJLANTIRISHDA O'YINLARNING AHAMIYATI

G.B.Esbergenova

Ajiniyoz nomidagi Nukus davlat pedagogika institute

Annotatsiya: Ushbu maqolada nemis tili darslarida pedagogik texnologiyalardan foydalangan holda ta'lim samaradorligini oshirish, dars jarayonida ta'limiy o'yinlar, o'quvchilarni faol ishtirokiga erishish yo'llari ko'rsatilgan.

Kalit so'zlar: o'yinlar, innovatsion texnologiyalardan foydalanish, interfaol metodlar, o'quvchi bilan ishlash.

Abstract: This article shows ways to increase the effectiveness of teaching in German language classes using pedagogical technologies, games in the classroom, the active participation of students.

Keywords: games, use of innovative technologies, interactive methods, work with students.

Mamlakatimiz mustaqillikka erishgandan so'ng chet tillarini o'rganishga qiziqish oshdi va yoshlar uchun ko'plab imkoniyatlar yaratib berildi.

Xususan O'zbekiston Respublikasi Prezidentining "O'zbekiston Respublikasida xorijiy tillarni o'rganishni ommalashtirish faoliyatini sifat jihatdan yangi bosqishga olib chiqish to'g'risida" gi 2021-yil 19-maydagi PQ-5117 qarori qabul qilindi.

Har qanday chet tilini o'rganishdan maqsad o'sha tilda bimalol muloqat qila olishdir. Chet tillarni o'rgatish va o'rganish uzoq va mukammal jarayon. Chuning bilan birga u kishidan muntazam mehnatni va o'z ustida ishlashni talab qiladi.

O'gzaki nutq malakalarni o'stirish uchun chet tillarni o'qitish jarayonida har xil interfoal o'yinlardan qo'llash chet tilini o'rganishni zerikarli emas, aksincha qiziqarli va sevimli mashg'ulotga aylantirishi aniq. Interfoal o'yinlar tilni o'rganuvchilar o'zlarini ancha erkin tutishlarini hatto uyatchan o'quvchilarni ham ushbu o'yinlarda qatnashishga undaydi. Interfaol o'yinlarni ayniqsa grammatika va so'z boyligini orttirish uchun qo'llash samaralidir. Ammo bu o'yinlarni qo'llashdan oldin o'qituvchi o'quvchilarga o'yindan ko'zlangan maqsadni o'yin qoidalarini aniq tushuntirishi va o'tilayotgan mavzu bilan chambarchas bog'lashi kerak.

Pedagoglarga ham ma'lumki, chet tlini o'qitichda o'z ona tilini chuqurraq urgangan o'quvchilarga qo'shimsha tilni o'rgatish boshqalarga nisbatan osan kechadi. Chunki bu kabi til o'rganuvchilar beixtiyor tillarni bir biriga qiyoslab o'rganadi va ularda tillar integratsiyasi oson omalga oshadi.

Nemis tili darslarida o'yinlar odatda dars yakuniga hali bir necha daqiqa qolgan bo'lsa, bo'shliqni to'ldirish uchun islatiladi. Bolalar o'yin orqali o'z shaxsiyatini rivojlantiradilar.

Zanjir o'yini: Maqsadi: Xotirani tekshirish va oshirish.

O'yinda guruh bo'lib o'ynaladi va boshlanishida bitta mavzu doirasidan cheklangan bo'lishi kerak. Misol uchun "*Tiere*", hayvonlar haqida, bunda birinchi o'quvchi bir so'zni aytadi va misol uchun "*Kuh*" deydi, boshqa o'quvchi birinchi o'quvchining so'zini takrorlab "*Kuh*" va o'zining yangi so'zini ya'ni "*Hund*" so'zini aytish bilan davom etadi. O'yinda kimning yodidan ko'tarilib to'xtab qolsa shu ishtirokchi o'yinni tark etadi. Guruhda 10 yoki undan ortiq o'quvchilar bo'lsa so'zlar miqdori ko'payadi va qiziqarli bo'ladi. O'yin orqali xotirani tekshirish, qay darajada ekanligini bilib olib uni o'stirish mumkin.

Tennis o'yini: Maqsadi: O'quvchilarning tezligini oshirish.

O'yin xuddi zanjircha o'yiniga o'xshash bo'lib u faqat tanlangan mavzu doirasida bo'ladi va so'z yakuniga qarab tugallangan harfga yangi so'z aytishi lozim bo'ladi misol uchun mavzu: "*Mahlzeit*" bo'lsa shu mavzudan chetlashmagan holda bo'ladi. Birinchi ishtirokchi "*Herbst*" desa ikkinch ishtirokchi esa oxirgi harfi 't'ga topishi kerak bunga "*Tag*" deb javob beradi va shu tariqa o'yin davom etadi. O'yin davomida to'xtab qolgan o'quvchi 5 daqiqa ichida javob qaytarmasa o'yindan chetlashtiriladi va qolgan o'quvchilar bilan o'yin davom etadi. O'yinni guruh bo'lib o'ynash o'quvchilar uchun qiziqarli bo'ladi yani 5 kishidan ortiq guruh bo'lib o'ynash. Bu o'yinda mavzuni o'zgartirish orqali ham o'ynash mumkin.

Shuningdek, bolalar ertak qahramonlarini o'z tassavurida jonlantiradilar, obrazga kirishadilar hamda asosiy so'z va so'z iboralarini qo'llashni o'rganadilar. Bu albatta nemis tilida so'zlarni tinglab tushinish va yod olingan so'zlardan masalan, *Prinzessin - malika, König - qirol, Aschenputtel-zolushka, reich-boy* va boshqada ertak qahramonlarini nemis tilidagi atomalarini urganadilar.

Xulosa qilib shuni aytish joizki bu o'yinlarni bolalarning saviyasi yoki yoshiga qarab osonlashtirish yoki qiyinlashtirishimiz ham mumkin. Ushbu interfaol o'yinlarning maqsadi turlicha bo'lib bu o'yinlar orqali diqqatni jamlash, so'z boyligini osirish, tezkorlik, aqililik, ziyarak asosiysi esa darsni qiziqarli tarzda o'zlashtirib, yodda saqlab qolishimiz mumkin.

Foydalanilgan adabiyotlar ro'yxati:

1. Dehkanova Dilnoza "Ingliz tili darslarida interfaol o'yinlar" O'rta maxsus ta'lim bosqichi uchun o'quv-uslubiy qo'llanma. Samarqand SamDCHTI, 2013
2. Фарберман Б.Л. Передовые педагогические технологии –Т.: «Фан» Изд-во АН Республики Узбекистан, 2000
3. <http://www.eslgamesworld.com/ClassroomGames.html>

ENERGIYA SAMARADORLIGI VA TEJAMKORLIGINI OSHIRISHNING HUQUQIY ASOSLARI

Andijon mashinasozlik instituti.

Axmadaliyev O'tkirbek Akramjonovich,

Muqobil energiya manbalari kafedrasi assistenti.

Ababakirov Xusniddin Shamshidin O'gli

K-96-21 guruhi talabasi

Annotatsiya. UShbu maqolada bugungi kunda yurtimizda olib borilayotgan energiyadan oqilona foydalanish va energiya resurlardan to'g'ri foydalangan xolda tejamkorlikka erishish masalalari va bu muammoni yechish uchun huquqiy tomondan baxo berish masalasi yoritilgan.

Kalit so'zlar: energetika, O'zneftgazinspeksiya, energiya resurslar, energiya tejamkorlik, energiyasamarador qurilmalar.

O'zbekiston Respublikasi Prezidentining qarorlari asosida Energetika vazirligining vakolatlariga davlat organlari va tashkilotlarda zamonaviy energosamarador va energiya tejoychi texnologiyalarni joriy etish hamda energoresurslar iste'moli samaradorligi monitoringini amalga oshirish kiradi. K o'rsatilgan vazifalarni amalga oshirish uchun O'zbekiston Respublikasi Energetika vazirligi huzurida Neft mahsulotlari va gazdan foydalanish nazorat qilish inspeksiyasi (O'zneftgazinspeksiya) va Elektr energetikada nazorat inspeksiyasi (O'zenergoinspeksiya) faoliyat yuritmoqda. Bunda energosamaradorlikni oshirish va resurs tejash sohasida O'zneftgazinspeksiyaning asosiy vazifa va funksiyalari etib: - iqtisodiyot tarmoqlarida uglevodorod mahsulotlarini qazib olishdan boshlab tayyor mahsulot ishlab chiqarilishiga qadar bo'lgan jarayonlarda normativ-huquqiy hujjatlar talablariga rioya etilishi hamda ularni qisqartirish chora-tadbirlarining amalga oshirilishi va iqtisodiyot tarmoqlari va ijtimoiy sohada oqilona foydalanish yuzasidan davlat nazoratini olib borish; - iqtisodiyot tarmoqlarida davlat, energiya tejashga yo'naltirilgan dasturlarning ishlab chiqilishi va amalga oshirilishida ishtirok etish, ularning bajarilishini nazorat qilish, energetika samaradorligini baholash hamda neft, gaz, gaz kondensati va ularning qayta ishlash mahsulotlari iste'molchilarida energetika tekshiruvlari va ekspertizalarini olib borilishi ishlarini muvofiqlashtirish; - energetika tarmoqlarida energiya tejoychi texnologiyalarni joriy etish, tashkilotlarda energiyasamaradorlikni oshirish 4 jarayonlarini tezlashtirishda ishtirok etish va inspeksiya vakolatlari doirasida amaliy yordam ko'rsatish belgilangan.

O'zbekiston Respublikasi Prezidentining 2017-yil 26-maydagi PQ-3012-sonli «2017 - 2021 yillarda qayta tiklanuvchi energetikani yanada rivojlantirish, iqtisodiyot

tarmoqlari va ijtimoiy sohada energiya sam aradorligini oshirish chora-tadbirlari dasturi to'g'risida»gi qaroriga muvofiq, mamlakatimizda faoliyat olib borayotgan sement ishlab chiqarish korxonalarini quruq usuldagi ishlab chiqarishga hamda pishgan g'isht, ohak ishlab chiqarish korxonalarini hamda issiqxona xo'jaliklarining 2017-2020 yillar davomida bosqichma-bosqich muqobil yoqilg'i (ko'mir)ga o'tkazish yuzasidan amalga oshirilayotgan ishlar « O 'zneftgazinspeksiya» tomonidan tizimli nazoratga olingan. 2018-yilda hamda joriy yilning o'tgan davri mobaynida ko'mir yoqilg'isining afzalliklari va erishiladigan iqtisodiy ko'rsatkichlarini yoritish bo'yicha doimiy ravishda profilaktik tadbirlar o'tkazib kelinmoqda, ya'ni tadbirkorlik subyektlari ishtirokida o'tkazilgan seminar-yig'ilishlar, ommaviy axborot vositalari orqali chiqishlar, issiqxona va pishgan g'isht ishlab chiqarish korxonalarini misolida yoqilg'i sarfi yuzasidan o'tkazilgan taqqoslov tahlillari shular jumlasidandir. Bu borada, 1200 nafar tadbirkorlik subyektlari ishtirokida 25 marotaba o'tkazilgan ko'rgazmali seminar inarlarda mutaxassislar tomonidan qaror mohiyati va ko'mir yoqilg'isining afzalliklari bo'yicha berilgan tushuntirish va tavsiyalar, issiqxona xo'jaliklari va pishgan g'isht ishlab chiqarish korxonalarida 2 marotaba jurnalistlar uchun tashkil etilgan media-tur, ko'mir yoqilg'isidan foydalanish afzalliklari va erishiladigan iqtisodiy ko'rsatkichlari bo'yicha tayyorlangan va « O 'zbekiston 24» hamda «Sevimli» televideniyelari orqali efirga uzatilgan 10 ta qisqa metrajli video lavhalar, «Kun.uz» hamda «Gazeta.uz» ijtimoiy tarmoqlari va mahalliy gazetalarda chop etilgan maqolalarni misol qilish mumkin. 5 « O 'zneftgazinspeksiya» tomonidan olib borilgan keng qamrovli profilaktik tadbirlar natijasida, Respublika bo'yicha 202 ta (36%) pishgan g'isht ishlab chiqarish korxonalarini va 155 ta (27%) issiqxona xo'jaliklari tabiiy gazdan ko'mir yoqilg'isiga o'tkazilishiga va yiliga 360 mln metr kubdan ziyod tabiiy gazning iqtisod qilinishiga erishilgan. Shuningdek, ushbu ishlarning davomi sifatida, bugungi kunda O 'zbekiston Respublikasi Prezidentining 2019-yil 23-maydagi PQ4335-sonli qarorlariga asosan pishgan g'isht, ohak, sement ishlab chiqarish korxonalarini hamda issiqxona xo'jaliklarida energiya tejamkorlik mezonlariga muvofiq bo'yicha o'rganib chiqilib, energiya tejamkorlik ta'minlanmagan korxonalarining bosqichmabosqich muqobil yoqilg'i (ko'mir)ga o'tkazish uchun issiqlik berish quvvati yuqori bo'lgan ko'mir yoqilg'isi bilan ta'minlash masalasi yuzasidan amaliy ishlar olib borilmoqda. Jumladan, ko'mir yoqilg'isida ishlaydigan qozonlarni ishlab chiqish va o'rnatish bo'yicha mahalliy ishlab chiqaruvchilar va chet el korxonalarini jalb qilinmoqda.

Qarorda qayd etilgan vazifalarni to'liq amalga oshirish orqali Respublika iqtisodiyotini yanada rivojlantirish uchun yil davomida tayyor xom ashyo bo'lgan 5 mlrd metr kubdan ziyod tabiiy gaz tejalishiga hamda o'z navbatida tadbirkorlik subyektlariga yoqilg'i resurslariga sarflanayotgan xarajatlar miqdori kamayishiga va mahsulot tannarxining arzonlashishiga olib keladi. Energiya sam aradorligi O

‘zenergoinspeksiyaning asosiy vazifalaridan biri bo‘lib, iqtisodiyotning asosiy tarmoqlarini rivojlantirish bo‘yicha konsepsiyalar va davlat dasturlarini ishlab chiqishda, ularning energiya samaradorligini oshirish va energiya zichligini kamaytirish, elektr va issiqlik energiyasini samarali ishlab chiqarish, uzatish, taqsimlash va iste‘mol qilish, shuningdek ko‘mirdan foydalanish bo‘yicha takliflarda faol ishtirok etmoqda, tizimli asosda energiya zichligini kamaytirish elektr va issiqlik energiyasidan, shuningdek ko‘mirdan samarali foydalanish bo‘yicha 6 tadqiqotlar, manfaatdor vazirliklar va idoralar bilan birgalikda iqtisodiy va ijtimoiy sohalarida energiya samaradorligini oshirish va energiya sarfini kamaytirish bo‘yicha takliflar tayyorlaydi, raqobatbardosh mahsulotlar ishlab chiqarish uchun qaytatiklanadigan energiya manbalaridan foydalanishning istiqbolli yo‘nalishlarini aniqlaydi va ularni respublikada ishlab chiqarishni tashkil etish bo‘yicha takliflar tayyorlaydi. Ushbu vazifalardan kelib chiqqan holda asosiy maqsad mavjud imkoniyatlardan oqilona foydalanish orqali ishlab chiqarilgan elektr energiyasini uzatish, taqsimlash va iste‘mol qilish tartibiga, shuningdek davlat nazoratiga rioya qilishni kuchaytirish zarur. Shu bilan bir qatorda eskirgan va ishdan chiqqan elektr texnologiyalarni zamonaviy uskunalar bilan almashtirish muhimdir.

O‘zbekiston Respublikasi Prezidentining 2016-yil 22-dekabrda «Sanoat tarmoqlari korxonalarining jismoniy ishdan chiqqan va m a’naviy eskirgan mashina-uskunalarini yangilash, shuningdek, ishlab chiqarish xarajatlarini kamaytirishga oid qo‘shimcha choratadbirlar to‘g‘risida»gi PQ-2692-sonli qarori bilan tasdiqlangan nmqsadli parametrlarga asosan 2019-yilning birinchi yarim yilligida 633 ta, yarim yillik rejaga asosan 72,5 %, yillik rejaga asosan 34,5 % jismoniy ishdan chiqqan va m a’naviy eskirgan mashina-uskunalarini almashtirildi. O‘zbekiston Respublikasi Prezidentining 2017-yil 26-mayda PQ-3012-sonli qaroriga muvofiq ishlab chiqilgan elektr energiyasini tejash bo‘yicha tashkiliy-texnik chora-tadbirlariga asosan 2019-yilning birinchi yarim yilligida jami 182,545 mln.kVt.s. elektr energiyasi tejalishiga erishilgan. Jismoniy ishdan chiqqan va m a’naviy eskirgan mashina-uskunalarini yangilash, elektr energiyasini tejash bo‘yicha tashkiliy-texnik chora-tadbirlar bajarilishi evaziga joriy yilning birinchi yarim yilligida ishlab chiqarish xarajatlari o‘rtacha foiz hisobida 0,6 % hamda bir birlik mahsulot ishlab chiqishga sarflanadigan elektr energiyasi miqdori o‘tgan yilga nisbatan o‘rtacha foiz hisobida 5,3 % kamaytirilishiga erishilgan. Bundan tashqari, O‘zbekiston Respublikasining «Energiyadan oqilona foydalanish to‘g‘risida»gi qonun talablariga va O‘zbekiston Respublikasi Vazirlar Mahkamasining 2006-yil 7-avgustda 164-sonli qarori bilan tasdiqlangan «Yoqilg‘i-energetika resurslari iste‘molchilarini energetika tekshiruvidan va ekspertizadan o‘tkazish qoidalariga asosan «O‘zenergoinspeksiya»si energoauditorlar tomonidan tuzilgan energetika tekshiruvlami o‘tkazish dasturlari 13 ta korxonaga bo‘yicha tasdiqladi. O‘tkaziladigan tekshirishlar natijasida korxonalarda yoqilg‘i-energetika

resurslaridan foydalanish samaradoriigiga baho berilib yoqilg'i va energiya ta'minoti xarajatlarini kamaytirish imkoniyatlari aniqlanadi.

Foydalanilgan adabiyotlar:

1. <https://gov.uz/>.
2. LEX.uz.
3. <https://mitc.uz/uz/news/view/1363>.
4. <https://minenergy.uz/>.
5. Energiya nazorati va yoqilg'i-energetika resurslari iste'molchilarining ekspertizalarini o'tkazish qoidalari. O'zbekiston Respublikasi Vazirlar Mahkamasining 2006 yil 7 avgustdagi 164-sonli qarori.
6. Issiqlik energetikasi va issiqlik texnologiyalarida energiya tejash: universitetlaruchun o'quv qo'llanma / OL Danilov, AB Garyaev, IV Yakovlev va boshqalar;tahrir. A.V.Klimenko. - M: MEI nashriyoti, 2010. 424 bet. ISBN 5-98954-969-6.

LIGHTING STANDARDS AND REQUIREMENTS FOR ROOMS.

Andijan Machine building Institute.

Axmadaliyev Utkirbek Akramkjonovich

Assistant of the Department of Alternative Energy Sources.

Dalliyev Asliddin Sadriddin o'g'li

A student of the K-96-21 group

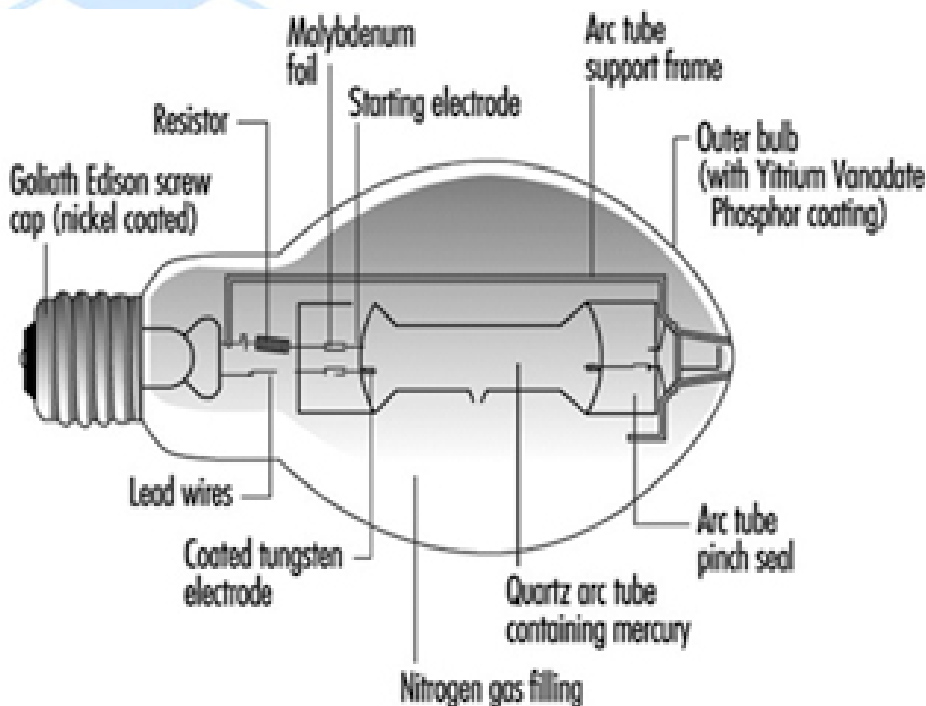
Abstract. This article talks about illumination level and its importance. It is well known that lighting has a positive effect on productivity, as well as on the attention level of employees. Lighting affects not only manufacturing workplaces, but all workplaces, institutions and organizations. Hospitals, hotels, supermarkets, etc. This is very important from the point of view of the psychology of consumers and customers, as well as from the point of view of employees.

Key words: Lighting equipment, prevent glare in space, lighting, light flux, source and the devices.

Lighting equipment - devices used to illuminate buildings, power, avenues, etc. source (Light sources), devices for redistributing the light flux in space, consists of constructional details. The constructional details unite all parts of the lighting equipment and protect the light source and the devices that redistribute the light depending on the concentration level, they are divided into types that fully collect the light flux along the optical axis (projectors), fully collect the light flux in a small area of the optical axis (projectors), and redistribute the light flux at a large spatial angle (lighting equipment). Reflectors of various shapes are used to redistribute the light flux. A collection of light devices is called a lighting device. With their help, the area, room or some objects are illuminated. Lighting fixtures are devices that direct, distribute, and prevent glare in space. Depending on the installation, suspended, ceiling, wall, floor, tabletop; depending on the function, it is divided into simple and decorative types. Typical lighting fixtures include reflector enamel used for lighting industrial buildings, high-rise shops and rooms of zds, as well as reflective glass, moisture-proof and explosion-proof, table-top and other lighting fixtures used to illuminate major streets. Lighting lamps, chandeliers installed in museums, theaters and other places - candelabras, table lamps, lamps used in bedrooms, corridors and train cars. Street lighting.

The level of illumination is very important, the employee cannot work properly in what he does not see clearly and as well as he should. It is well known that lighting has a positive effect on productivity, as well as on the attention level of employees.

Lighting affects not only manufacturing workplaces, but all workplaces, institutions and organizations. Hospitals, hotels, supermarkets, etc. This is very important from the point of view of the psychology of consumers and customers, as well as from the point of view of employees.



1 is
the lighting lamp.

Fig.
the main
scheme of

There are some responsibilities in measuring instruments in terms of testing and measurement. The building to be measured must be determined before the light intensity measurement points, and these measurement points are determined at a height of 80 centimeters from the ground in free spaces, on production equipment

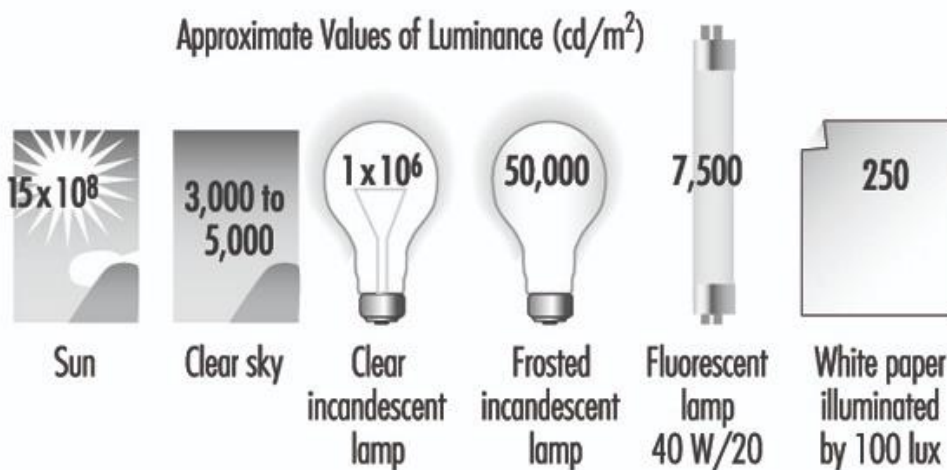


Fig. 2. level of illumination of lamps.

Although technological progress has made it possible to produce a variety of lamps, the main factors influencing their development have been foreign market forces. For example, the production of filament lamps used at the beginning of this century was possible only after the availability of good vacuum pumps and tungsten wire drawing. However, it was the large-scale generation and distribution of electricity to meet the demand for electric lighting that determined the growth of the market. Electric lighting had many advantages over gas or oil lighting, such as steady light that required little maintenance, as well as increased safety due to the absence of open flames and local combustion products.

References.

1. Fundamentals of ocean optics. <http://dvs.net.ru>
2. Лампа накаливания. <https://ru.wikipedia.org>
3. JIADUO frequency trembler pests-killing lamp. JIADUO Science, Industry and Trade CO. Ltd.,
4. Cree LED Components IES LM-80-2008 Testing Results. Cree Inc., 06.12.2012
4. Alijanov, D. D., & Axmadaliyev, U. A. (2021). APV Receiver In Automated Systems. The American Journal of Applied sciences, 3(02), 78-83.
5. Olimjoniva, D., & Topvoldiyev, N. (2023). Analysis of heat storage capacity of residential buildings. Interpretation and researches, 1(8).
6. Topvoldiyev N, Axmadaliyev U, Karimberdiyev K. Development and application of 3rd generation solar elements. Часть-14_ Том-2_ Февраль -2024.
- Olimov, L. O., & Yusupov, A. K. (2021). The Influence Of Semiconductor Leds On The Aquatic Environment And The Problems Of Developing Lighting Devices For Fish Industry Based On Them. The American Journal of Applied Sciences, 3(02), 119-125.

ENERGY AUDIT REQUIREMENTS

Andijan Machine building Institute.

Axmadaliyev Utkirbek Akramjonovich.

Assistant of the Department of Alternative Energy Sources.

To'lanboyev Muhridin Asilbek O'g'li

A student of the K-96-21 group.

Annotation. This article explains what an energy audit is, why it can reduce energy costs, and how it can assess a building's environmental impact. In addition, brief comments were made on such problems as whether there are certain devices in the home that consume enough energy or consume more than the required level.

Key Words. Energy Efficiency Recommendations, tightness test, energy overspending, energy consultant or energy auditor.

The second part of the energy audit includes an air tightness test, also called a vent door test. During this test, the energy auditor determines how tight the building envelope is by testing air leaks in the home or business. In addition to the air tightness test, an energy auditor will assess the energy consumption of your business or home by performing a thermographic inspection.

Energy Efficiency Recommendations After your residential or commercial building has been assessed and tested, the energy auditor will provide you with a comprehensive list of energy efficiency recommendations. If implemented, most of the recommendations will help save on utility bills.

There are two types of energy audits: Energy audit, Energy overspending, Audit report, Energy Auditor, Evaluation, testing, Efficiency recommendations.

Although energy audits are available to many, few choose to do so. That's because most people don't know they exist or how useful they are.

According to a 2020 survey report by the Department of Technology and Society at Stony Brook University in New York, only 9% of respondents have completed an energy audit. An energy audit can identify energy-wasting problem areas in your home or commercial premises, and reducing energy use can help you save on your energy bill.

A registered energy consultant or energy auditor conducts a home energy audit or business energy audit. In addition, energy auditors are responsible for completing energy performance assessments of commercial and non-commercial buildings.

An energy audit consists of three parts: assessment, testing and performance recommendations. After the audit is completed, the auditor will provide you with a

report showing your energy consumption, final energy classification and suggestions for home improvements to reduce energy costs on your energy bills.

Part One: Evaluation. A registered energy auditor will come to your home or business and perform an interior and exterior inspection to identify energy use and problem areas. During the review process, they will analyze specific elements that contribute to the overall energy efficiency of your home or business.

An auditor will analyze heating and cooling systems or your insulation levels, including basement and exterior attic walls. The second part of the energy audit includes an air tightness test, also called a vent door test. During this test, the energy auditor determines how tight the building envelope is by testing air leaks in the home or business. In addition to the air tightness test, an energy auditor will assess the energy consumption of your business or home by performing a thermographic inspection.

Energy Efficiency Recommendations After your residential or commercial building has been assessed and tested, the energy auditor will provide you with a comprehensive list of energy efficiency recommendations. If implemented, most of the recommendations will help save on utility bills. There are two types of energy audits: Initial Energy Audit and Detailed Energy Audit. The type you choose will depend on your needs. **Preliminary Energy Audit:** This type of audit is simply a data collection exercise that offers a preliminary analysis. Often, the auditor conducts this type of audit through a detailed examination.

Detailed Energy Audit: This type of audit is completed by a professional auditor who monitors, analyzes and audits energy consumption to identify problem areas and ways to improve energy efficiency. They present their findings and recommendations in a detailed technical report.

Several energy service providers and various utility programs offer free energy audits to homeowners. Typically, these low-cost energy audits are not detailed and only offer generalizations about your building's energy use. Also, free energy audits cannot provide you with customized energy saving solutions.

Conclusion: In conclusion, it is worth conducting an energy audit. They evaluate the energy efficiency of your home or building, so you know where to make changes. By implementing the auditor's suggestions, you can reduce your energy bills and save up to 5-30%. In addition, by making such changes, you can have a positive impact on the environment and reduce carbon emissions.

References.

1. Energy control and consumers of fuel and energy resources rules for carrying out examinations. Ministers of the Republic of Uzbekistan Decision No. 164 of August 7, 2006.

2. Bezzubtseva M.M. Monitoring of energy systems and technical means to ensure the safety of rural areas through improvement. / M.M. Bezzubtseva, V.N. Karpov, V.S. Volkov - SPb: SPbGAU Publishing House, 2009.265 pages.
3. Karpov V.N. In consumer energy systems of the agro-industrial complex energy saving: monograph / V.N. Karpov, Z.Sh. Yoldoshev, P.S. Pankratov - SPb, SPbGAU, 2012.125 pages.
4. Gulin S.V. Spectral radiation devices of selected climatic facilities parameters of energy efficiency//Izvestia MAAO, No. 18.2013. Pages 8-11.
5. Energy saving in heat energy and heat technologies: universities instruction manual for / OL Danilov, AB Garyaev, IV Yakovlev and others; edit. A.V. Klimenko. - M: MEI publishing house, 2010. 424 pages. ISBN 5-98954-969-6.
6. Energy audit of industrial and utility enterprises: textbook. Allowance B. P. Varnavsky, A. I. Kolesnikov, M. N. Fedorov; M.: ASEM publishing house, 2009. 301 p. ISBN 5-95791-459-6.
7. Fokin V.M. Basics of energy saving and energy audit. - M.: "Mechanical Engineering -1" publishing house, 2006. 256 pages. ISBN 5-94275-279-6.
8. Energy inspections (energy audits) of budget institutions transfer methodology. edit. prof. S.I. Sergeeva. - N. Novgorod: NSTU publishing house, 2000. 198 pages. ISBN 6-46353-449-6.
9. Chudinova I.I. Energy saving and power quality. Lecture course. Oryol state technical university 2006.62 pages.

EFFECTIVE USE OF ELECTRICITY IN AGRICULTURE AND ITS IMPORTANCE

Andijan Machine building Institute.

Axmadaliyev Utkirbek Akramkjonovich,

Assistant of the Department of Alternative Energy Sources

Muhammadsobir Sobirjanov Ilg'orjon O'g'li,

A student of the K-95-21 group

Abstract. This article describes the efficient use of electricity in agriculture and its importance.

Key words: agricultural electrification, labor productivity, lighting, heating greenhouses, water, pump, station electrification, stationary.

Introduction. Electricity is derived from the Latin word "electricus" (ancient Greek "ἑλεκτρον") and is a set of phenomena resulting from the interaction and orderly movement of charged free electron particles. English naturalist William Hilbert introduced this term into the scientific literature for the first time in 1600 in his book "On Magnet, Magnetic Bodies, and the Great Magnet - About the Earth".

The treatise explains in detail the workings of the magnetic compass and describes some of his experiments on magnetized bodies. In the author's work, he finds out that other substances in nature have the ability to be electrified, that is, to a certain extent, to create a magnetic field. Mainly measuring the consumption of electricity in everyday life and the national economy, as well as measuring the electricity produced in the electricity industry external unit of the amount of energy used for 1 kilowatt-hour is the amount of energy consumed (produced) in 1 hour by an electrical device with a capacity of 1 kilowatt.

(1 kW · h = $10^3 \text{ W} \times 3600 \text{ s} = 3.6 \text{ MJ}$). Electric utilities measure energy using an electric meter that keeps track of the total amount of electricity delivered to the customer.

Electric heating. The main parts of the device are a metal body, a ceramic base and a heating element (spiral or cylindrical element). Electric heating devices with a heating element made of wire with high electrical resistance are more common. Such devices are divided into open (the heating element is visible) and closed (the heating element is placed inside the case) types. Open devices include electric fireplaces, reflectors, etc., and closed devices include radiators of various types (eg, oil). The simplest and most common type of electric heater uses electrical resistance to convert energy. There are many complex ways to use electricity.

Energy is one of the main sectors of every economy and is a solid foundation of economic and technical development. The energy system of Uzbekistan consists of 37 thermal and hydraulic power plants with a total installed capacity of 11.5 mln. kW, 55 billion per year. It has the ability to generate more than 100 kW of electricity. The total length of electric networks of all voltages of the energy system of Uzbekistan is about 228 thousand km. The total capacity of network transformers is 42.6 MVA. About 65,000 people work in the energy system of the republic. On September 25, 1934, the organizational base of the energy system of Uzbekistan, the "Uzbekenergiya" energy department (now the Ministry of Energy and Electrification of the Republic of Uzbekistan) was established.

Currently, the energy system of Uzbekistan provides energy to more than 20,000 industrial, 100,000 agricultural, 20,000 communal and 3.5 million household consumers. The total electricity consumption in the republic is 46.1 billion. kW is an hour. Hydropower. The total installed capacity of 27 HPPs in the energy system of Uzbekistan is 1420 MW. They have 6331.2 mln. kWh of electricity is being produced.

Main Part. As in all sectors of the national economy, the supply and use of electricity is of great importance in agriculture. In agriculture, electricity is mainly used for lighting, heating, that is, electrification of greenhouses, water pumping stations, electrification of stationary and mobile irrigation units, creation of microclimate in hatcheries and livestock farms, etc. The problems of using the quality of initial indicators to determine the effectiveness of agricultural electrification are currently relevant.

The initial indicators for determining the efficiency of agricultural electrification are the following: the production of agricultural products by crops on the land area and plowed land in kind and at the expense of money; production of livestock products in terms of their number according to the type of animals and in terms of money; the number and capacity of electric motors, electrical apparatus, devices by sectors and processes, the value of electrification means (substations, power transmission networks, mechanisms), annual energy consumption by all economic sectors, the value of 1 kW of power, the number of service personnel, labor costs for the production of agricultural products before and after electrification, the availability of electricity to farms, all these characterize the possibilities of electrification of production processes.

For example, if we take the example of animal husbandry: the use of electricity in animal husbandry leads to a sharp reduction in labor costs. The use of electricity can be used to perform a number of activities on the farm, including water supply, advance feeding of animals, milking cows, transportation of various loads, sheep shearing, preliminary processing of milk, incubation, etc. with the help of mechanization. allows to perform.

As long as the construction of electricity transmission networks and distribution and production facilities is solid and guaranteed, not only agriculture, but all sectors of the national economy will be ensured to function effectively. The role of this network in agriculture is very important because, firstly, it ensures continuous operation of water lifting devices in processes related to crop irrigation, and secondly, certain types of cultivated products are kept intact in warehouses and refrigerators. In addition, the power transmission network has its effect in increasing the quality and quantity of products grown in the livestock sector or in the poultry sector in the process of using electricity.

Construction of power plants shortens the payback period for electricity supply and improves the living conditions of rural residents. Fully electrifying agriculture improves the quality of crops and reduces the demand for labor. The use of electric energy in agriculture makes it possible to mechanize crop irrigation, reducing labor costs by 10-20% and operating costs by 10%. The use of electricity for heating and lighting greenhouses, and operating water pumps not only reduces labor costs, but also increases the yield per hectare of cultivated land. A product worth 100-150 soums is created for each soum of electricity.

6% of energy resources and 27% of electricity are consumed in the branches of the agro-industrial complex, which produce more than 32% of the republic's gross domestic product. Although these indicators are several times lower than in developed countries, the energy capacity of product production remains high. There are objective and subjective reasons for this situation.

Conclusion. A number of achievements can be achieved as a result of efficient and rational use of electricity in agriculture. Among them: industrial development, electronic machines that provide high productivity instead of manual labor, are of great importance in the acceleration of livestock, farming, horticulture and similar industries. For this reason, it is necessary to pay attention to the following when using electricity:

- development of a single program of the state energy policy aimed at the development of the agrarian sector and coordination of scientific research related to its implementation, organization of a scientific and technical team consisting of mature experts and scientists of the field;
- assessment of efficiency of use of energy resources, including electricity, in production, processing and storage of products, creation of methodological bases, and in this regard energy resources and consumers are interrelated in a single system.

To eliminate these and other problems, to achieve an increase in gross production in the sectors of the agro-industrial complex by finding a solution, seed production, breeding development, increasing soil fertility, improving land reclamation and other agrotechnical measures, together with low productivity, high instead of manual labor it is necessary to create efficient, energy-efficient equipment, to accelerate

technological processes, and to use electrophysical effects directly in work processes, which ensure the achievement of new technological results. Also, special attention should be paid to the use of non-traditional types of energy, i.e. "Solar energy", in order to increase the weight of energy in product production.

References:

- 1 "Problems of efficient use of electricity". Agricultural economy. 2003 No. 6.i.adi.
2. Tokhliev N. "Economy of the Republic of Uzbekistan". T-1998.
3. Pulatova R.Kh. "Organization of infrastructure activity in the agro-industrial complex". Training manual. StoneDAU. 2006.
4. Alijanov, D. D., & Axmadaliyev, U. A. (2021). APV Receiver In Automated Systems. The American Journal of Applied sciences, 3(02), 78-83.
5. Olimjoniva, D., & Topvoldiyev, N. (2023). Analysis of heat storage capacity of residential buildings. Interpretation and researches, 1(8).
6. Topvoldiyev N, Axmadaliyev U, Karimberdiyev K. Development and application of 3rd generation solar elements. Часть-14_ Том-2_ Февраль -2024.
- Olimov, L. O., & Yusupov, A. K. (2021). The Influence Of Semiconductor Leds On The Aquatic Environment And The Problems Of Developing Lighting Devices For Fish Industry Based On Them. The American Journal of Applied Sciences, 3(02), 119-125.

**O'RTA MIYA. ORALIQ MIYA (KO'RUV BO'RTIG'I SOXASI) TUZILISHI
VA YOSHGA QARAB O'ZGARISHI. ORALIQ MIYA (GIPOTALAMUS),
III-QORINCHA: DEVORI, TESHIKLARI, KLINIK AHAMIYATI.
MRT VA KT DAGI TASVIRI**

Toshkent davlat stomatologiya instituti talabalari:

Turg'unov Muhammad Baxtiyor o'g'li

Jo'raqulov Bahodir Zoir o'g'li

Anatomiya Kafedrasi ilmiy rahbari:

Abdusamatova Iroda Ilhamovna

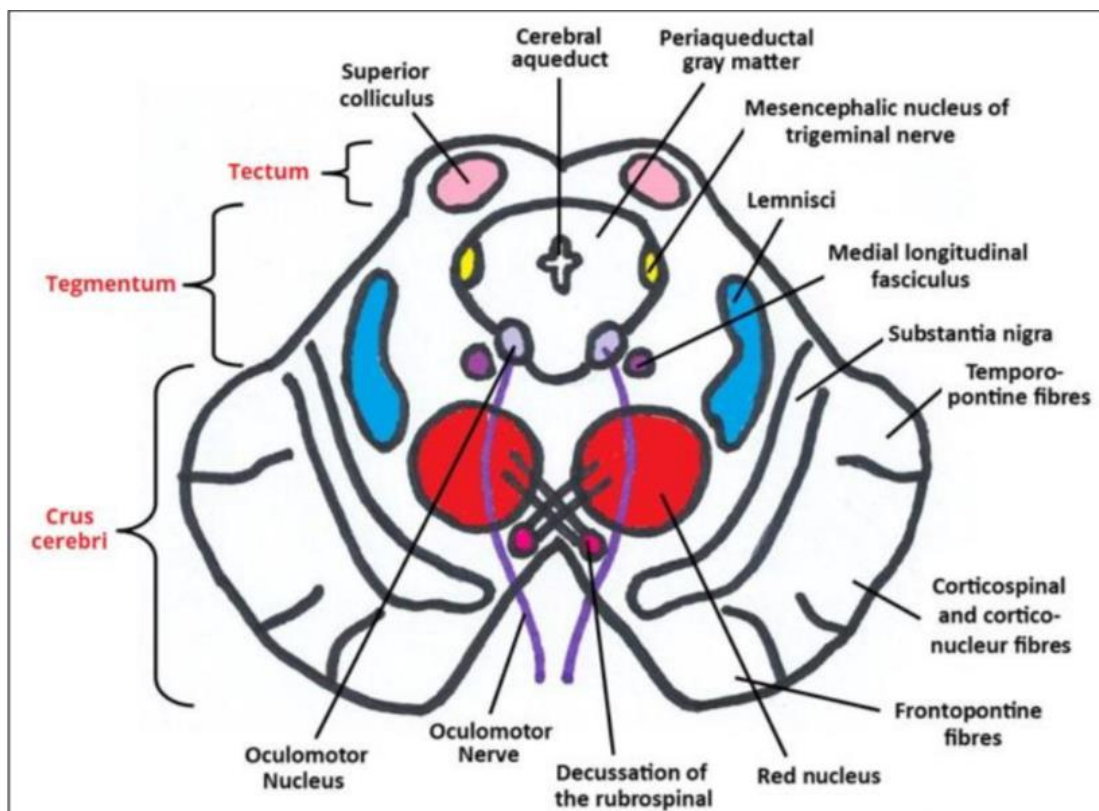
Annotatsiya: ushbu maqolada o'rta miya, oraliq miyaning ko'ruv bo'rtig'i soxasi hamda oraliq miyaning tuzilishi va yoshga qarab o'zgarishi va gipotalamus, III-qorincha tuzilishi haqida ma'lumot berilgan.

Kalit so'zlar: o'rta miya, Varoliy ko'pirigi, suv yo'li, akkomodatsiya, oraliq miya, dorsal, ventral, bo'rtiq osti sohasi, gipotalamus, III-qorincha, orqa devor, gumbaz.

Kirish: O'rta miya — bosh miyaning oraliq miya bilan Varoliy ko'prigi o'rtasida joylashgan bo'lagi. Miya oyoqchalari, to'rt tepalik plastinkasi va oyoqchalar orasida joylashgan miya suv yo'lidan iborat. O'rta miyaning ko'ndalang kesimida 3 qism tafovut qilinadi(1-rasm). 1) tom plastinkasi — to'rt tepalikni o'z ichiga olgan miya suv yo'ligacha bo'lgan qism; 2) tomcha — miya suv yo'li bilan qoramtir moddagacha bo'lgan qism, bu yerda dumaloq shaklli qizil yadro joylashgan; 3) miya oyoqchalarining asosi, u asosan, oq moddadan iborat bo'lib, bosh miyaning po'stlog'idan boshlanuvchi efferent o'tkazuvchi yo'llardan tashkil topgan. Oyoqchalarining miya suv yo'li atrofida III va IV juft bosh miya nervlarining somatik va parasimpatik yadrolari joylashgan.

O'rta miya muskullar tonusini tartibga solib, odam muvozanatini saqlash va yurishda faol qatnashadi. O'rta miya jarohatlanganida yoki kasallanganda muskullar kuchli qisqarib, oyoqqo'llar bukilmay qoladi.

To'rt tepalikning ustki do'mboqcha yadrolari ko'zning to'r pardasidan impulslar qabul qilib, kerakli javob yuboradi, ya'ni yorug'lik tomonga boshni burishda qatnashadi. Ko'zga kelayotgan nur yo'nalishiga qarab ko'z qorachig'ining kengayishi yoki torayishini, ko'z gavharining holatini atrofmuhitni aniq ko'rishga (akkomodatsiya) moslashtiradi. To'rt tepalikning pastki do'mboqchalarida joylashgan yadrolar quloqni tovushga nisbatan moslash, boshni tovush tomonga burish kabi holatlarni idora etadi.



1-rasm.

Oraliq miya (diencephalon) murakkab tuzilishga ega. U o'rta miya bilan oxirgi miya oralig'ida joylashgan. Taraqqiyoti va faoliyatiga ko'ra oraliq miyani ikki qismga: 1. Orqa (dorsal) filogenez nuqtayi nazaridan yangi, afferent yo'llar markazi bo'rtiq sohasi. 2. Oldingi (ventral) filogenez jihatidan eski, oliy vegetativ markaz bo'rtiq osti sohasidan iborat. Bo'rtiq sohasi (thalamencephalon), o'z navbatida, k o'ruv bo'rtig'i, bo'rtiq orqasi va bo'rtiq usti sohaslariga bo'linadi. Ko'ruv bo'rtig'i (talamus opticus) III qorinchaning ikki yon tomoniga joylashgan oval shakldagi kulrang modda to'plamidan iborat. Uning oldingi uchi torayib oldingi bo'rtiqni (tuberculum anterius), orqa uchi esa kengayib yostiqlani (pulvinar) hosil qiladi. Ko'ruv bo'rtig'ining ichki yuzasi III qorincha bo'shlig'ining yon devorini, ustki yuzasi esa yon qorinchalar markaziy qismining tubini hosil qiladi. Uchinchi qorincha (ventriculus tertius) oraliq miyaning o'rtasida ingichka sagital yorig' shaklida joylashgan bo'lib, oltita devori tafovut qilinadi. Uning tashqi devorini ko'ruv bo'rtig'ining ichki yuzasi, oldingi devorini oxirgi parda (lamina terminalis), gumbaz usunlari (columna fornicis) va oldingi bitishma (commissura anterior) hosil qiladi. Gumbaz ustunlari bilan ko'ruv bo'rtig'ining oldingi qismi o'rtasida qorinchalararo teshik (foramen interventriculare) joylashgan. Uchinchi qorinchaning orqa devorini orqa bitishma (commissura cerebri posterior) va (commissura habenularum) chegaralaydi. Uning ostida miya suv yo'li teshigi yotadi.

Bo'rtiq osti sohasi (hypothalamus) III qorinchaning tubini hosil qilishda ishtirok etadi. Uning tarkibiga ko'ruv nervlar kesishmasi, ko'ruv yo'li, kulrang do'mboq,

quyg'ich, gipofiz va so'rg'ichsimon tana kiradi. Bo'rtiq osti sohasi ikki: oldingi bo'rtiq osti sohasi (regio hypothalamica anterior) yoki ko'ruv qismi (pars optica) tarkibiga kulrang do'mboq, quyg'ich, gipofiz, ko'mv nervlar kesishmasi va ko'mv yo'li kiradi. Orqa bo'rtiq osti sohasiga (regio hypothalamica posterior) yoki hidlov qismiga (pars olfactoria) so'rg'ichsimon tana, bo'rtiq osti sohasida (regio subthalamica) joylashgan Lyuis tanasi kiradi.

Gipotalamusda 30 dan ortiq o'zaklar bo'lib, ulaming shakli va hajmi har xil. Ular joylashishiga qarab uch qismga: bo'rtiq osti sohasining oldingi, oraliq va orqa maydoniga bo'linadi. Gipotalamusning nerv hujayralari sekret ishlab chiqarish xususiyatiga ega bo'lib, neyrosekretor hujayralar deb ataladi. Ulaming sekretu shu hujayralar tolalari orqali gipofizga boradi. Bu o'zaklarni gipotalamusning neyrosekretor o'zaklari deyiladi. Ularga gipotalamusning oldingi sohasida joylashgan ko'mv bo'rtiq'ustidagi o'zak (nucleus supraopticus) va bo'rtiq osti sohasining qorincha atrofidagi o'zagi (nucleus paraventricularis) kiradi. Bu o'zakning hujayralari o'siqlari gipotalamo-gipofizar dastani hosil qilib gipofizning orqa bo'lagida tugaydi.

Uchinchi qorincha (ventriculus tertius) oraliq miyaning o'rtasida ingichka sagittal yorig' shaklida joylashgan bo'lib, oltita devori tafovut qilinadi. Uning lateral devorining ko'ruv bo'rtiq'ining medial yuzasi hamda subtalamik sohaning hipotalamik egatdan (sulcus hypothalamicus) pastda joylashgan medial qismi hosil qiladi. Uchinchi qorinchaning oldingi devorini oxirgi yaproqcha (lamina terminalis), gumbaz ustunlari (columna fornicis) va oldingi bitishma (commissura anterior) hosil qiladi. Gumbaz ustunlari bilan ko'ruv bo'rtiq'ining oldingi qismi o'rtasida qorinchalar orasidagi teshik (foramen interventriculare) joylashgan. Uchinchi qorinchaning orqa devorini orqa bitishma (commissura cerebri posterior) va yuganchalar bitishmasi (commissura habinufarum) chegaralaydi. Uning ostida o'rta miyaning suv yo'lini tirqishi yotadi.

Orqa devorda ikkita chuqurcha: g'urrasimon bez ustidagi chuqurlik (recessus suprapinealis) hamda gurrasimon bez chuqurligi (recessus pinealis) bor. Uchinchi qorinchaning yuqori devorini qadoq tana, miya gumbazi ostida joylashgan uchinchi qorinchaning tomirli asosi (tela choroidea ventriculi tertii) va uni qoplagan epitelial qatlam (lamina epithelialis) hosil qiladi. Uchinchi qorinchaning pastki devori esa bo'rtiq osti sohasiga to'g'ri keladi. Bu yerda uchinchi qorincha: quyg'ich botig'i (recessus infundibuli) va supraoptik botiqlikni (recessus supraopticus) hosil qiladi.

Xulosa: O'rta miya turli funktsiyalarda, jumladan, ko'rish, eshitish, harakatni boshqarish va hushyorlik kabi funktsiyalarda muhim rol o'ynaydigan miya poyasining hal qiluvchi qismidir. Bu erda o'rta miya tuzilishi, yoshga qarab o'zgarishlar va o'rta miyaning, shu jumladan gipotalamus va III qorinchaning klinik ahamiyati haqida qisqacha ma'lumot berilgan. O'rta miya hissiy ishlov berish, vosita boshqaruvi va gomeostatik funktsiyalarda ishtirok etadigan muhim miya hududidir. O'rta miya tuzilishini, uning yoshga qarab o'zgarishini va gipotalamus va III qorincha rolini

tushunish ushbu sohalarga ta'sir qiluvchi nevrologik sharoitlarni tan olish va boshqarish uchun juda muhimdir. O'rta miyaning anatomiyasi va funksiyasini bilish tibbiyot mutaxassislari uchun o'rta miya bilan bog'liq kasalliklarga chalingan bemorlarni tashxislash va davolashda va bemorlarni parvarish qilishni optimallashtirishda juda muhimdir.

Foydalanilgan Adabiyotlar:

1. Anatomiya II jild (2018-yil): A.Ahmedov, O'.Mirsharapov, T.Sagatov, H.Rasulov.
2. https://uz.wikipedia.org/wiki/Oraliq_miya
3. <https://asab.cc/uz/jenciklopediya/135-rta-mija.html>
4. https://uz.wikipedia.org/wiki/O%CA%BBrta_miya

AKSIYADORLIK JAMIYATLARINING MOLIYAVIY FAOLIYATI KO'RSATKICHLARINI OSHIRISH

Maribjonov Botirjon Ikromjonovich

*Andijon mashinasozlik instituti, "Buxgalteriya hisobi va menejment"
kafedراسي assistenti. E-mail. botirjonmaribjonov@gmail.com*

Arabboyev Jasurbek Saidjon o'g'li

*Andijon mashinasozlik instituti, Iqtisodiyot fakulteti, Moliya va
moliyaviy texnologiyalar yo'nalishi 2-bosqich talabasi.*

Barchamizga ma'lumki, davlat iqtisodiyotining turli tarmoqlarini modernizatsiya qilish va milliy iqtisodiyotda yaratilayotgan maxsulotlarning bozor raqobatiga bardoshligini oshirishda aksiyadorlik jamiyatlarining moliyaviy ko'rsatkichlarini oshirish muhim ahamiyat kasb etadi. Aksiyadorlik jamiyatlarining moliyaviy ko'rsatkichlarini oshirish esa, bu mamlakatimiz kapital bozorini jadal rivojlanishining asosiy omillaridan biri hisoblanadi.

Mamlakatimizda kapital bozorini jadal rivojlanishini ta'minlashda investisiyalarni jalb qilishning samarali tizimini joriy etish va kapital bozorini mamlakat iqtisodiyotini rivojlantirishni moliyalashtirishning asosiy manbalaridan biri sifatida shakllantirish maqsadida dastlabki bosqichi sifatida jahon mamlakatlari tajribasidan kelib chiqqan holda O'zbekiston Respublikasi Prezidentining 2019 yil 14 yanvardagi "Davlat aktivlarini boshqarish, monopoliyaga qarshi kurashishni tartibga solish tizimini va kapital bozorini tubdan takomillashtirish chora-tadbirlari to'g'risida"gi PF-5630-sonli farmoniga asosan mustaqil davlat organi sifatida "Kapital bozorini rivojlantirish Agentligi" tuzilib, uning asosiy vazifalari etib qimmatli qog'ozlar bozorini shakllantirish, rivojlantirish, tartibga solish, davlat va nodavlat yoki aksiyadorlik jamiyatlarida korporativ boshqaruv tashkil etish hamda bu sohada yagona davlat siyosatini amalga oshirish belgilangan. Shuningdek, ushbu farmonga asosan, O'zbekiston Respublikasi Prezidentining «O'zbekiston respublikasi Kapital bozorini rivojlantirish agentligi faoliyatini tashkil etish to'g'risida»gi 2019 yil 24 yanvardagi PQ-4127-sonli qarori ham qabul qilingan. Ushbu davlat organi o'z oldiga mamlakatimiz kapital bozorini rivojlantirishning 2020-2025 yillarga mo'ljallangan Strategiyasini ishlab chiqish vazifasini qo'ygan. Bugungi kunda ko'pchilik aksiyadorlik jamiyatlarida portfel daromadlilikigi kamligi, sof aktivlarining o'sish tendensiyasi pastligi, faoliyati yuritishga quyilgan talablarini murakkabligi mamlakatimiz moliya bozorida aksiyadorlik jamiyatlari faoliyatiga qiynchiliklarni olib kelmoqda. Shu sababli ham aksiyadorlik jamiyatlarini moliya bozorida faoliyatini rivojlantirish hamda moliyaviy xavfsizligini ta'minlashda kapital bozorini

rivojlantirish Strategiyasini ishlab chiqish va bosqichma-bosqich amalga oshirish muhim ahamiyat kasb etadi.

Aksiyadorlik jamiyatlarning istiqbolli tashkiliy-huquqiy shakllanishi to'g'risida gapiradigan bo'lsak, bugungi rivojlangan davlatlar iqtisodiyotida aksiyadorlik jamiyatlari yetakchi o'rinni egallagan bu esa ularning rivojlanishining uzoq davri va mulk munosabatlarining tabiati bilan bog'liq bo'lgan. Tarixda korxonalarining aksiyadorlik shakli 18-asr boshlarida paydo bo'lgan. Dastlab kooperativ korxonalar asosida, lekin ishlab chiqarishni ijtimoiylashtirishda hamda faoliyat ko'lamida ulardan ustun kelgan.

Aksiyadorlik jamiyatlarining tobora ommaviylashining eng yuqori cho'qqisi 19-asrning o'rtalariga to'g'ri kelgan. Bu jarayon ko'pgina rivojlangan mamlakatlarda temir yo'llarni qurish davriga to'g'ri kelgan. 19-asrning oxiriga kelib, aksiyadorlik kompaniyalari rivojlangan davlatning iqtisodiy tizimida asosiy yetakchi o'rinni egallagan.

Mamlakatimizda xususiy aksiyadorlik jamiyatlari sonini ko'paytirish lozim, chunki, xususiy aksiyadorlik jamiyatlarining ko'payishi o'z navbatida moliyaviy resurslardan samarali foydalanish samaradorligini oshishiga hamda davlat byudjetiga soliqlar tushumining ortishiga xizmat qiladi. Aksiyadorlik jamiyatlari iqtisodiyotni tashkil etishning eng mukammal huquqiy mexanizmi hisoblanadi.

Aksiyadorlik jamiyatlari boshqa mulk shakllariga nisbatan bir qator afzalliklarga ega. Birinchidan, kompaniya ustav fondini to'ldirish va o'z faoliyatini kengaytirish uchun aksiyadorlarning mablag'larini jalb qilish imkoniyatiga ega va bu mablag'lar qaytarilmaydi.

Ikkinchidan, kompaniyaning umumiy boshqaruv bo'limi ma'lum bir boshqaruvdan ajralib turadi, bu esa aksiyadorlarni boshqaruvchi xodimlarni tanlashga jiddiy munosabatda bo'lishiga olib keladi.

Uchinchidan, tashkilotning butun mehnat jamoasini aksiyalarni sotib olish orqali egalari aylantirish imkoniyati yaratiladi, bu ularning faoliyati natijalarida aks etadi.

To'rtinchidan, aksiyadorlar tarkibiga mol yetkazib beruvchilar va boshqa sheriklarini jalb qilish, iqtisodiy faoliyat natijalariga umumiy qiziqish yaratish mumkin.

Beshinchidan, ushbu mulk shakli aksiyadorlar uchun qo'shimcha daromad manbai hisoblanadi.[4]

Korxonalarining moliyaviy holatini tahlil qilish, ya'ni moliyaviy tahlil bu keng ko'rsatkichlar yordamida, kompleks usullaridan foydalanib korxonalarining moliyaviy resurslari borligini, holatini, joylashganligi va ulardan foydalanish darajasini ifodalashdir.[8]

Yuqoridagilardan kelib chiqib, aksiyadorlik jamiyatlarining moliyaviy faoliyatini baholashda va uni oshirishda aniq me'yoriy darajalar hamda mezonlarga ega bo'lgan

bir qator ko'rsatkichlardan foydalanishni maqsadga muvofiq deb, quyidagi jadvalda korxonaning moliyaviy-iqtisodiy faoliyatiga oid bo'lgan ko'rsatkichlarini keltirib o'tamiz.

Aksiyadorlik jamiyatlarning moliyaviy ko'rsatkichlari jadvali

T/R	Ko'rsatkichlar nomi	Hisoblash usuli	Me'yoriy darajasi
1	Mutlaq likvidlilik ko'ffisiyenti	(Pul mablag'lari + Qisqa muddatli moliyaviy investisiyalar) / Qisqa	min 0,2
2	Joriy likvidlilik ko'ffisiyenti	Joriy aktivlar / joriy passivlar	min 1,25
3	Moliyaviy leveraj ko'ffisiyenti	O'z kapitali / Qarz majburiyatlari	min 0,25
4	O'z mablag'lari bilan ta'minlanganlik ko'ffisiyenti	Joriy aktivlar / O'z mablag'lar manbalari	min 0,1
5	O'z kapitali rentabelligi ko'ffisiyenti (ROE)	Sof foyda / O'z kapitali	min 0,15
6	Moliyaviy mustaqillik ko'ffisiyenti	O'z mablag'lar manbalari / Balans aktivi	min 0,5 (optimal daraja 0,65-0,75)
7	Dividendli daromad ko'ffisiyenti	To'langan dividendlar / ustav kapitali	min 0,15
8	Dividendni to'lash qobiliyati ko'ffisiyenti	To'langan dividendlar / sof foyda	1 (optimal daraja 0,4-0,7)
9	P/E ko'ffisiyent	Aksiyaning bozor bahosi / ((sof foyda – har bir aksiyaga to'langan dividend) / aksiyalar soni)	Optimal daraja 12-15
10	P/B ko'ffisiyent	Aksiyaning bozor bahosi / Aksiyaning balans qiymati	Optimal daraja 1-2

Ushbu jadvalda keltirilgan moliyaviy ko'rsatkichlarining tavsifi va me'yoriy darajalarini birma-bir ko'rib chiqamiz.[6]

Mutlaq likvidlilik ko'ffisiyenti (MuLK) aksiyadorlik jamiyati likvidliligining asosiy mezonini hisoblanadi va quyidagicha topiladi:

MuLK = (Pul mablag'lari + Qisqa muddatli moliyaviy investisiyalar) / Qisqa muddatli majburiyatlar

Ushbu ko'ffisiyenti qisqa muddatli majburiyatlarning qay qismi tezda mavjud pul mablag'lari va tez sotiladigan qimmatli qog'ozlar hisobiga qaytarilishini belgilab beradi. Me'yoriy qiymati 0,2 dan yuqori (optimal qiymat 0,2-0,35) bo'ladi, mutlaq

likvidlilikning bunday qiymati korxonada tomonidan 20-35% qisqa muddatli majburiyatlar pul mablagʻlari hisobiga tezkor qaytarilishini bildiradi.

Joriy likvidlilik koeffitsiyenti (JLK) qisqa muddatli majburiyatlarni bajarish uchun aylanma aktivlarning yetarliligini koʻrsatadi va quyidagicha hisoblanadi:

$$\text{JLK} = \text{Joriy aktivlar} / \text{joriy passivlar}$$

Ushbu koeffitsiyent korxonaning barcha aylanma aktivlari mavjud qisqa muddatli qarzlarni qay darajada qoplaydi; ushbu qarzni moddiy aylanma mablagʻlarni jalb qilmasdan turib qay darajada qoplash mumkin va nihoyat, qisqa muddatli qarzlarning qancha qismini aktivlarning eng likvidli qiymati pul mablagʻlari va qisqa muddatli moliyaviy qoʻyilmalar bilan qoplash mumkinligini aniqlash imkonini beradi. Joriy likvidlilik koeffitsiyenti Oʻzbekiston sharoitida kamida 1,25 darajasida boʻlishi lozim.

Moliyaviy mustaqillik koeffitsiyenti (MMK) korxonaning oʻz kapitali bilan qoplangan aktivlarning ulushini koʻrsatadi va quyidagicha aniqlanadi:

$$\text{MMK} = \text{Oʻz mablagʻlar manbalari} : \text{Balans aktivi}$$

Odatda investorlar ushbu koeffitsiyentning qiymatiga alohida eʼtibor qaratishadi. Amaliyotda koʻrsatkichning meʼyoriy qiymatining eng pastki chegarasi 0,5 qabul qilingan. Koeffitsiyentning yuqoriligi korxonaning moliyaviy barqaror holatda va tashqi kreditorlardan mustaqil ekanligini bildiradi.

Moliyaviy leveraj koeffitsiyenti (MLK) korxonaning oʻz kapitalidan foydalanish samaradorligini tafsiflaydi va quyidagicha aniqlanadi:

$$\text{MLK} = \text{Oʻz kapitali} / \text{Qarz majburiyatlari}$$

Ushbu koeffitsiyentning yuqori darajasi korxonaning qarz mablagʻlariga tobeklik holatini aks ettiradi. Ayni damda u moliyaviy dastak samarasi orqali oʻz mablagʻlari rentabelligiga taʼsir koʻrsatadi va moliyaviy xatar darajasini baholashda qoʻllaniladi, yaʼni moliyaviy qaramlik darajasini belgilaydi. Koʻrsatkich darajasi aktivlar tarkibi, ulardan foydalanish samaradorligi, daromadliligi va korxonaning ixtisoslashuviga bevosita bogʻliqdir.

Oʻz kapitali rentabelligi koeffitsiyenti (ROE) korxonaning kapitaliga nisbatan sof foydasining ulushini koʻrsatadi va quyidagi formula bilan aniqlanadi:

$$\text{OʻKRK (ROE)} = \text{Sof foyda} / \text{Oʻz kapitali}$$

Bu koeffitsiyent korxonada uchun muhim moliyaviy koʻrsatkich hisoblanib, har qanday sarmoyadorga, biznes egasiga, biznesga kiritgan sarmoyasidan qanchalik samarali foydalanganligini koʻrsatadi.

Oʻz aylanma mablagʻlari bilan taʼminlanganlik koeffitsiyenti korxonaning joriy faoliyatini moliyalashtirish uchun zarur boʻlgan oʻz mablagʻlari yetarliligini koʻrsatadi va quyidagicha aniqlanadi:

$$\text{OʻAM} = \text{Oʻz mablagʻlari} / \text{Joriy aktivlar}$$

Ushbu koʻrsatkichning meʼyoriy darajasi 0,1 dan katta boʻlishi lozim. Aks holda korxonaning moliyaviy darajasi joriy aktivlar orasida pasayishga olib keladi.

Dividendli daromad ko'ffisiyenti (DDK) – bu ko'rsatkich bitta aksiyaga to'g'ri keladigan dividend miqdorini ko'rsatadi va quyidagicha hisoblanadi:

$$\text{DDK} = \text{To'langan dividenlar} / \text{ustav kapitali}$$

Ushbu ko'ffisiyentning yuqoriligi ijobiy holat hisoblanadi. Agar dividendli daromad ko'ffisiyenti 0,15 (15%) dan kichik bo'lsa, aksiyadorlik jamiyati aktivlarini fond bozoriga samarali joylashtira olmayotganligidan dalolat beradi. Natijada, investorlar o'rtasida norozichilik paydo bo'lishi mumkin. Aks holda, 0,15 (15%) dan yuqori bo'lsa, aksiyalarning bozor bahosi oshayotganligini ko'rsatadi.

Dividendni to'lash qobiliyati ko'ffisiyenti (DTQK) – bu dividendlar shaklida aksiyadorlarga to'langan foydaning ulushi hisoblanadi va quyidagicha hisoblanadi:

$$\text{DTQK} = \text{To'langan dividenlar} / \text{sof foyda}$$

Ushbu ko'rsatkich aksiyadorlik jamiyati pul rezervlarini jamg'arish yoki qarzlarni so'ndirish, iqtisodiy rivojlanishi uchun qayta investitsiyalash maqsadida kompaniya o'z pul mablag'larining qancha qismini aksiyadorlarga to'lashi to'g'risida ma'lumot beradi. Shuningdek, bu ko'ffisiyent kompaniyaning yetuklik darajasini ham ko'rsatib turadi.

Jadvalda keltirilgan **P/E ko'ffisiyenti** - bu aksiyadorlik jamiyatlari aksiyalarining bozor bahosini bir aksiyadagi yillik daromadiga nisbatiga teng bo'lgan moliyaviy ko'rsatkich hisoblanadi va quyidagicha topiladi:

$$P/E = \frac{P}{EPS}$$

Bu yerda **P** – aksiyaning bozor bahosi,

$$EPS = \frac{\text{sof foyda} - \text{har bir aksiyaga to'langan dividend}}{\text{aksiyalar soni}}$$

Ushbu ko'rsatkich aksiyadorlik jamiyatning investision jozibadorligini baholashda foydalaniladigan asosiy ko'rsatkichlardan biridir. Ko'ffisiyentning kichik qiymati shuni ko'rsatadiki, kompaniyaning foydasi bozorda ushbu ko'ffisiyent kattaroq bo'lgan boshqa kompaniyaning foydasidan arzonroq baholanadi. Ko'ffisiyentning optimal darajasi 12-15 oralig'ida bo'lishi lozim.

Jadvalda keltirilgan **P/B ko'ffisiyenti** – bu aksiyadorlik jamiyatlari aksiyalarining bozor bahosini bir dona aksiyadagi balans qiymatiga nisbati orqali quyidagi formula orqali aniqlanadi:

$$P/B = \frac{\text{aksiyaning bozor qiymati}}{\text{aksiyaning balans qiymati}}$$

Ushbu ko'rsatkich aksiyadorlik jamiyatlarining aksiyalarini bozor qiymati va balans qiymati bilan bog'liqligini hamda aksiyadorlik jamiyatining aksiyalarini likividligi va jozibadorligini ko'rsatadi. Uning optimal darajasi 1-2 oralig'ida bo'lishi lozim.

Shunday qilib, aksiyadorlik jamiyatlarning moliyaviy ko'rsatkichlari yordamida uning moliyaviy faoliyatini oshirish va undan foydalanish samaradorligi muammosi

bugungi kunda har qachongidan ham dolzarb bo‘lib qolmoqda. Shuning uchun zamonaviy iqtisodiy sharoitlarda ushbu muammoning dolzarbligi, ilmiy va amaliy ahamiyati hamda korxonalar kapitalining shakllanish tahlili metodologiyasining yetarli darajada emasligidandir. Shuningdek, aksiyadorlik jamiyatlarining kapitali asosiy iqtisodiy kategoriyalardan biri bo‘lib, uning mohiyati ilmiy fikr tomonidan bir necha asrlar davomida aniqlangan. Ushbu tezisdan kapital mikro darajada, ya’ni xo‘jalik yurituvchi sub’yektlarning kapitali yoki aksiyadorlik jamiyatining kapitali sifatida ko‘rib chiqildi. Aynan shu tashkiliy-huquqiy shaklda kapitalni shakllantirish, boshqarish va undan foydalanish samaradorligi xususiyatlari paydo bo‘ladi. Aksiyadorlik jamiyatining kapitali bu ishlab chiqarishning asosiy omili hisoblanadi. Daromad keltiradigan moliyaviy resurslarni tavsiflaydi va uning egalarini farovonligini ta’minlaydi hamda unga moliyaviy vositaning asosiy manbasi bo‘lib xizmat qiladi.

Foydalangan adabiyotlar:

1. O‘zbekiston Respublikasi Prezidentining 2019 yil 14 yanvardagi “Davlat aktivlarini boshqarish, monopoliyaga qarshi kurashishni tartibga solish tizimini va kapital bozorini tubdan takomillashtirish chora-tadbirlari to‘g‘risida”gi PF-5630-sonli Farmoni.
2. O‘zbekiston Respublikasi Prezidentining «O‘zbekiston respublikasi Kapital bozorini rivojlantirish agentligi faoliyatini tashkil etish to‘g‘risida»gi 2019 yil 24 yanvardagi PQ-4127-sonli qarori.
3. Xudoyqulov.X.X., “Aksiyadorlik jamiyatlarining kapital qiymatini baholashda chegirmaviy pul oqimlar usulidan foydalanishdagi muammolar”. Toshkent;2020.
4. Akramov E.A., “Korxonalarining moliyaviy holati tahlili”. O‘quv qo‘llanma. T., Moliya. 2004.
5. Shakl.I.A., “Kapitalni shakllantirishni boshqarish“. Kiyev: Nika-Markaz, 2006. 512 s.
6. Yusupov.Sh.B., “Aksiyadorlik jamiyatlarining moliyaviy xavfsizligini baholash”. Toshkent;2020.
7. Abdujabborova M., “Xo‘jalik sub’yektlari moliyaviy hisobotlarining tahlili”. 2019.
8. Maribjonov.B.I., “Sanoat korxonalarida moliyaviy tahlil o‘tkazishning o‘ziga xos xususiyatlari”. 2024.
9. Maribjonov.B.I., “Byudjet jarayoni mohiyati va tamoyillarini amalga oshiruvchi davlat organlari va ularni vakolatlarini o‘rganish”. 2023.

HUDUDLAR IJTIMOYIY–IQTISODIY TARAQQIYOTINI TA'MINLASHDA XORIJIY INVESTISIYALARDAN FOYDALANISH ISTIQBOLLARI

Maribjonov Botirjon Ikromjonovich

*Andijon mashinasozlik instituti, "Buxgalteriya hisobi va menejment"
kafedraasi assistenti. E-mail. botirjonmaribjonov@gmail.com*

To'ychiboyeva Shoxsanam Solijon qizi

*Andijon mashinasozlik instituti, Iqtisodiyot fakulteti, Moliya va
moliyaviy texnologiyalar yo'nalishi 2-bosqich talabasi.*

Annotatsiya: Ushbu maqolada hududlarni moliyaviy-iqtisodiy sharoitini yanada yaxshilash, investision jozibadorlikni oshirish va hududlarni moliyaviy daromad manbalarini yoki hududda soliq to'lovchilarni ko'paytirish maqsadida xorijiy investisiyalarni jalb qilish eng asosiy vazifalardan biri bo'lib qolmoqda. Shuningdek, ushbu investision loyihalarni moliyalashtirish murakkab jarayon bo'lganligi sababdan muallif tomonidan investision loyihalarni moliyalashtirish asosan, mamlakatdagi iqtisodiy siyosat, qonunchilik, investisiyani jalb qilish infratuzilmasi, investisiyaning moliyaviy miqdori va uni rivojlanish darajasi hamda mamlakatning moliyaviy-iqtisodiy ahvoriga bog'liq bo'lgan takliflar berilgan.

Kalit so'zlar: investisiya, moliya, soliq, kapital, yuridik shaxs, raqobat, globallashuv.

O'zbekiston va jahon iqtisodiyotining kelgusi taraqqiyoti, asosan, investisiyalarga bog'liqligini bugungi kunda deyarli har bir mutaxassis va xo'jalik yurituvchi sub'yekti anglab etganligini nazarda tutadigan bo'sak, hozirgi kunda respublikamiz iqtisodiyotiga xorijiy investisiyalarni keng jalb etish, ularning mamlakatimizda o'tkazilayotgan iqtisodiy islohotlarning samarali ijrosini ta'minlashning muhim asosiga aylangan.

Davlatning ijtimoiy-iqtisodiy va siyosiy rivojlanishida xorijiy investisiyalarning ahamiyati kattadir. Respublikaning sanoat va ishlab chiqarish salohiyatini oshirish, iqtisodiyot tarmoqlariga yuqori texnologiyalarni keng joriy etish, to'g'ridan-to'g'ri xorijiy investisiyalarni jalb qilishni kengaytirish orqali hududlarda yangi ishlab chiqarish quvvatlarini yaratish, eksportni rivojlantirish, aholi bandligini ta'minlash va kambag'allikni qisqartirish, shuningdek, investisiyalarni tizimli rejalashtirish va investisiya loyihalarini samarali boshqarish maqsadida alohida uzoq davrga mo'ljallangan davlat dasturi qabul qilingan. [1]

Xalqaro va milliy darajadagi investisiyalarni jalb qilish va ularni tegishli ravishda moliyalashtirish bo'yicha yetarli tajribalar mavjud. Biroq, investisiyalarni

moliyalashtirish va uni amalda tadbqiq etish asosan mamlakatdagi iqtisodiy siyosat, davlatning qonunchiligi, investisiyalarni jalb qilish infratuzilmasining rivojlanish darajasi va mamlakatning moliyaviy-iqtisodiy ahvoriga bog‘liq bo‘ladi. Mamlakatimizda ishlab chiqarish uchun sifatli xomashyoning boy resurslari mavjudligi bu iqtisodiyotimiz uchun xorijiy investisiyalarni jalb qilish juda zarurligi va shu bilan birga, xom-ashyo resurslar bazasini tayyor mahsulot ishlab chiqarishga alohida e‘tibor berish zarurligi namoyon bo‘lmada.

Jamiyatda iqtisodiyotni globallasuvi sharoitida dunyoda investisiyalar uchun qat‘iy raqobatli kurash izchil davom etmoqda. Shuningdek, mamlakatimizda tashqi iqtisodiy faoliyatni yanada rivojlantirish va erkinlashtirish, davlat iqtisodiyotiga bevosita xorijiy investisiyalarning jalb qilinishini ta‘minlaydigan huquqiy, ijtimoiy-iqtisodiy va boshqa shart-sharoitlarni yaratish hamda ularni takomillashtirish, mamlakatning barcha hududlarida xorijiy investisiyalarga nisbatan ochiq eshiklar siyosatini o‘tkazish, mablag‘larni mamlakatning iqtisodiy mustaqqilligini ta‘minlovchi ustuvor yo‘nalishlarda hamda raqobatdosh mahsulotlarni ishlab chiqarish bilan bog‘liq bo‘lgan yo‘nalishlarga e‘tibor qaratish davlatning investisiya siyosatining asosiy tamoyillaridan biridir.

Hududlarda xorijiy investisiyalarni jalb etmay turib, ayniqsa, jamiyatning yetakchi tarmoqlariga chet-el investisiyalari ishtirokini ko‘paytirmay turib, mamlakat iqtisodiyotida tarkibiy o‘zgarishlarni amalga oshirish va modernizatsiya qilish, ishlab chiqarish korxonalarida zamonaviy texnika bilan qayta jihozlash hamda raqobatbardosh mahsulot ishlab chiqarishni yo‘lga qo‘yish mumkin emas. Mamlakat iqtisodiyotiga xorijiy investisiyalarni jalb etilishi uning iqtisodiy imkoniyatlarining kengayishini tezlashtirib, barcha sohalarda ichki imkoniyatlar va zahiralarni ishga solish, yangi texnika va texnologiyani, eksportbop tovarlarni o‘zlashtirishga, ularni ishlab chiqarishni yo‘lga qo‘yish hamda hududlarda xorijiy investisiyalar orqali davlatning iqtisodiy qudratini ta‘minlashda ham muhim o‘rin tutadi.

Mamlakatimiz hududlari iqtisodiyotida investisiyalarni qo‘llanishi bo‘yicha Andijon viloyati misolida raqamlarda ko‘rishimiz mumkin. Ushbu raqamlar Statistika agentligining ma‘lumotlariga asoslangan holda muallif tomonidan qisqacha tahlil qilingan. Tahlil jarayonida keltirilgan iqtisodiy ko‘rsatkichlar asosan 2020, 2021 va 2022 yillar doirasida keltirilgan.

1-jadval

Investisiyalarni hududlarga jalb qilinishi jadvali

mlrd so‘m

T/R	Viloyatlar	2020 y		2021 y		2022 y	
		Summa	Ulushi foizda	Summa	Ulushi foizda	Summa	Ulushi foizda
	Respublika Jami	210 195,1	100%	239 552,6	100%	266 240,0	100%
1	Qoraqalpog‘iston res.	7 089,8	3%	8 110,7	3%	10 254,0	4%
2	Andijon viloyati	9 622,6	5%	11 176,6	5%	14 339,8	5%
3	Buxoro viloyati	12 183,9	6%	20 528,3	9%	21 638,3	8%
4	Jizax viloyati	12 545,4	6%	9 233,6	4%	10 373,9	4%
5	Qashqadaryo viloyati	20 557,6	10%	17 359,1	7%	16 012,8	6%
6	Navoiy viloyati	15 688,4	7%	15 020,1	6%	17 958,1	7%
7	Namangan viloyati	12 007,2	6%	12 982,0	5%	14 775,1	6%
8	Samarqand viloyati	14 656,4	7%	15 641,6	7%	18 917,1	7%
9	Surxondaryo viloyati	10 068,2	5%	12 037,8	5%	11 569,4	4%
10	Sirdaryo viloyati	7 191,9	3%	8 051,8	3%	12 354,6	5%
11	Tashkent viloyati	72 151,9	34%	88 493,8	37%	93 857,9	35%
12	Farg‘ona viloyati	11 040,0	5%	12 625,2	5%	15 419,3	6%
13	Xorazm viloyati	5 391,8	3%	8 292,0	3%	8 769,7	3%

1-jadvalda keltirilgan ma’lumotlarga qaraganda, yurtimiz hududlarida iqtisodiy rivojlanishni yanada jadallashtirish maqsadida xorijiy investisiyalarni jalb etish asosiy masala sifatida qaralmoqda. Jadvaldan ko‘rinib turibdiki, 2020 yilda jami respublika bo‘yicha 210 195.1 mlrd so‘m investisiya jalb qilingan bo‘lsa, 2021 yilda jami 239 552.6 mlrd so‘m, 2022 yilda esa jami 266 240.0 mlrd so‘m investisiya mablag‘lari jalb etilgan.

Bunda, dastlabki 2020 yilga nisbatan 2021 yilda jami 29 357,5 mlrd so‘m ortiq, 2021 yilga nisbatan 2022 yilda jami 26 687,4 mlrd so‘m ortiq, jami uch yil davomida dastlabki 2020 yilga nisbatan jami 56 044,9 mlrd so‘m ortiq investisiya mablag‘lari jalb etilishi kuzatilgan. Ushbu raqamlardan shuni ko‘rish mumkinki, yurtimizning barcha hududlarida xorijiy investisiyalarni kirib kelishiga yetarlicha imkoniyat va sharoitlar yaratilganligi natijasidir. Ushbu jalb qilingan investisiya mablag‘larning umumiy yig‘indisiga nisbatan har yili o‘rtacha 35 foizdan ortiq mablag‘lar; jumladan, 2020 yilda 72 151,9 mlrd so‘m, 2021 yilda 88 493,8 mlrd so‘m, 2022 yilda 93 857,9 mlrd so‘m investisiya mablag‘larini Toshkent viloyati hududiga jalb etilishini kuzatish mumkin. Shuni alohida takidlash kerak, Toshkent viloyat hududiga kiritilgan investisiya mablag‘larning asosiy qismini yoki jami mablag‘ga nisbatan o‘rtacha 85 foizi Toshkent shaxri uchun jalb qilinganligini kuzatish mumkin. Shu bilan birga jadvalda eng kam jalb qilingan hududlarni ham kuzatish mumkin. Jumladan; Xorazm,

Sirdaryo viloyatlari va Qoraqalpog‘iston respublikasi uchun kam investisiya mablag‘lari jalb etilgan. Bunga sabab, iqtisodiy-ijtimoiy hudud va iqlim sharoitlar ham alohida e‘tiborga olinishi mumkin.

2-jadval

Andijon viloyatida investisiya mablag‘larini shahar va tumanlar kesimida jalb etilishi yuzasidan ma‘lumotlar jadvali

mlrd so‘m

T/R	Shahar va tumanlar nomi	2020 y		2021 y		2022 y	
		Summa	Ulushi foizda	Summa	Ulushi foizda	Summa	Ulushi foizda
	Andijon jami	9 622,6	100%	11 176,6	100%	14 339,8	100%
1	Andijon shahar	2 448,2	25%	2 541,6	23%	3 017,2	21%
2	Xonobod shahar	163,9	2%	175,2	2%	310,9	2%
3	Oltinko‘l tuman	1 361,6	14%	604,2	5%	1 111,6	8%
4	Andijon tuman	528,2	5%	660,2	6%	844,2	6%
5	Baliqchi tuman	209,3	2%	510,4	5%	546,7	4%
6	Bo‘ston tuman	172,2	2%	212,6	2%	229,8	2%
7	Buloqboshi tuman	345,0	4%	340,3	3%	1 685,7	12%
8	Jalaquduq tuman	402,8	4%	322,0	3%	486,9	3%
9	Izboskan tuman	276,1	3%	292,1	3%	314,0	2%
10	Ulug‘nor tuman	141,2	1%	146,1	1%	232,6	2%
11	Qo‘rg‘ontepa tuman	581,9	6%	586,2	5%	560,5	4%
12	Asaka tuman	987,3	10%	2 539,7	23%	1 958,8	14%
13	Marxamat tuman	311,2	3%	388,3	3%	469,4	3%
14	Shaxrixon tuman	252,1	3%	324,9	3%	646,8	5%
15	Paxtaobod tuman	390,5	4%	346,1	3%	484,5	3%
16	Xo‘jaobod tuman	1 051,1	11%	1 186,7	11%	1 440,2	10%

Ushbu 2-jadvalda Andijon viloyatining shahar va tumanlari hududiga o‘tgan 3 yil mobaynida xorijiy investisiyalarni jalb etilishi yuzasidan sarf qilingan mablag‘larni ham raqamlarda ham foizda keltirilgan. Bundan ko‘rinib turibdiki, Viloyatga jalb qilingan jami xorijiy investisiyalarining asosiy qismini Andijon shaxriga jalb qilingan investisiyalarga to‘g‘ri kelmoqda. Jumladan; 2020 yilda jami jalb qilingan investisiya mablag‘lariga nisbatan 25 foizni tashkil etgan yoki 2 448,2 mlrd so‘mlik investisiya mablag‘lari jalb etilgan, 2021 yilda ushbu ko‘rsatkich 23 foizni tashkil etgan yoki 2 541,6 mlrd so‘mlik investisiya mablag‘lari jalb etilgan, 2022 yilda esa 21 foizni tashkil etib jami 3 017,2 mlrd so‘mlik xorijiy investisiyalar jalb qilingan. Bu ko‘rsatkichni yildan-yilga ortib borishi esa albatta hukumat tomonidan xorijiy investorlarni jalb qilinishi yuzasidan chiqarilayotgan qaror va me‘yoriy hujjatlar bilan investisiyani huquqiy tomondan davlat himoyasiga olinganligi sababli mamlakatimizning barcha

hududlarida xorijiy investorlarni kirib kelishi shiddat bilan ortib bormoqda. Bu esa albatta har bir hududning iqtisodiyotini ko'tarishda eng muhim omillardan hisoblanadi.

Bundan tashqari, Andijon viloyatida asosiy kapitalga investisiyalar o'zlashtirilishi bo'yicha 2023 yilda jami 12 221,8 mlrd so'm bo'lgan bo'lsa, o'sish sur'ati esa 2022 yilning mos davriga nisbatan 108,6%ni tashkil etgan. Markazlashgan moliyalashtirish manbalari hisobidan 1 810,1 mlrd so'm yoki jami investisiya mablag'lari hajmining 15,0% o'zlashtirilgan. Mos ravishda, markazlashmagan moliyalashtirish manbalari hisobidan 10 401,4 mlrd so'm yoki jami investisiya mablag'lari hajmining 85,0% o'zlashtirilgan.

2023 yilning yanvar-sentyabr oylarida korxonalar va tashkilotlarning o'z mablag'lari hisobidan moliyalashtirilgan asosiy kapitalga investisiyalar 2 117,7 mlrd so'm, aholi mablag'lari hisobidan jami 1 405,7 mlrd so'm, to'g'ridan to'g'ri xorijiy investisiyalar hisobidan o'zlashtirilgan investisiyalar hajmi 6 568,0 mlrd so'mni tashkil etgan. Shuningdek, tijorat banklari kreditlari va boshqa qarz mablag'lari hisobidan 310,0 mlrd so'm, davlat kafolati ostidagi xorijiy kreditlar 206,1 mlrd so'm, davlat byudjeti 1 291,9 mlrd so'm, suv ta'minoti va kanalizatsiya tizimlarini rivojlantirish jamg'armasi tomonidan 167,5 mlrd so'm miqdorida asosiy kapitalga investisiyalar o'zlashtirilgan.

2023 yil yanvar-sentyabr oylarida iqtisodiy faoliyat turlari bo'yicha asosiy kapitalga investisiya tarkibida katta ulushni ishlab chiqarish sanoati 56,8% va qishloq xo'jaligi 5,6%, eng kam ulush esa sog'liqni saqlash 1,7%, axborot va aloqa 0,6%, va tog'-kon sanoatiga 0,5% investisiyalar kiritilgan.

Viloyat hududidagi shahar va tumanlar kesimida asosiy kapitalga investisiyalarning katta qismini Buloqboshi tumanida 3 662,0 mlrd so'mni, aksincha eng kichik qismini esa yana Buloqboshi tumanida 140,2 mlrd so'mni tashkil etgan. Bundan tashqari, kiritilgan investisiyalar hajmining yuqori o'sishi ham Buloqboshi tumaniga yoki 276,0% ga to'g'ri kelgan. Qolgan hududlar, jumladan, Marhamat 130,2%, Jalaquduq tumanlarida 128,6% kuzatilgan bo'lsa, past ko'rsatkichlar Oltinko'l 55,4% va Asaka tumanlarida 46,1% kuzatilgan.

Xorijiy investisiyalarni va yuqori texnologiyalarni hududlarga jalb qilish iqtisodiyotimizdagi milliy ishlab chiqarish usullariga muayyan o'zgarishlarni olib kiradi. Xorijiy investisiyalarni kirib kelishi mamlakat iqtisodiy taraqqiyotini yanada rivojlantirish, hududlardagi barcha turdagi resurs salohiyatlarini faollashtirish, ishlab chiqarish va xizmat ko'rsatish hajmini oshirish, texnologiyalarni zamon talablari asosida yangilash, iqtisodiyot tarmoqlarini diversifikatsiya qilish, eksportni rivojlantirish hamda yangi ish o'rinlarini yaratish orqali aholi turmush farovonligini yaxshilashga xizmat qiladi. Xorijiy investisiyalarni faol jalb qilish asosida ishlab chiqarishga zamonaviy texnika va texnologiyalarni joriy etib, eksportga mo'ljallangan mahsulotlar ishlab chiqarishni rivojlantiradi. Davlat kafolati bilan xorijiy

investisiyalarni hududlarga jalb qilinishi bu xorij investorlarda mamlakatimiz iqtisodiyotiga qiziqishi yanada ortadi.

Foydalanilgan adabiyotlar:

1. O‘zbekiston Respublikasi Prezidentining 30.12.2021 yildagi “O‘zbekiston Respublikasining 2022-2026 yillarga mo‘ljallangan investisiya dasturini tasdiqlash hamda investisiya loyihalarini boshqarishning yangi yondashuv va mexanizmlarini joriy etish to‘g‘rsida”gi PQ-72-sonli qarori.
2. O‘zbekiston Respublikasi Prezidentining 28.12.2022 yildagi “O‘zbekiston Respublikasining 2023-2025 yillarga mo‘ljallangan investisiya dasturini amalga oshirish chora-tadbirlari to‘g‘rsida”gi PQ-459-sonli qarori.
3. Karimov.N.G‘., Axmedov.A.S., “Moliya asoslari: Moliya va investisiyalar”. O‘quv qo‘llanma., Toshkent., 2021.
4. Pardayev.M.K., Xoliqulov.A.n., Jumayeva.G., “Investision loyihalar tahlili”. O‘quv qo‘llanma., Samarqand., 2019.
5. B.Maribjonov. Byudjet jarayoni mohiyati va tamoyillarini amalga oshiruvchi davlat organlari va ularni vakolatlarini o‘rganish. – 2023.
6. B.Maribjonov. Davlat byudjetini taqsimlash va nazorati. Funktsiyalarini o‘rganish. – 2023.
7. B.Maribjonov. Sanoat korxonalarida moliyaviy tahlil o‘tkazishning o‘ziga xos hususiyatlari. – 2024.
8. <https://review.uz/oz/post/andijon-viloyatining-2023-yil-yanvar-sentyabr-yakunlari-boyicha-asosiy-kapitalga-kiritilgan-investiciyalar-tahlil-qilindi#pid=1>

DUAL SEMANTICS OF PARTIAL REALIAS (“FALSE FRIENDS” OF THE TRANSLATOR. ENGLISH-UZBEK LANGUAGES)

Ramazanova Lobar Bazarovna

Termez Economical and Service University

2-course master degree student

Annotation: In the process of translating a literary text, the features of realias are taken into account and do not deviate from the norm, and the literal interpretation of the meaning is in many ways a creative interpretation of the linguistic means used for the figurative and emotional expression of its content. Determining the place of literary translation in the standardization of linguistic units in artistic form, their connection with the original shades of the work, for example, phrases, phraseological units, words and other set expressions, their literal analysis of the ability of the translation to fully or partially reflect the semantic load of the original.

Keywords: Realias, observation method, translation realias, transliteration, intercultural theory, xenonyms, non-equivalent vocabulary, ethnography, cultural diversity, tracing, transcription, written literature, national value .

Discussion:

Conceptual realias are understood as objects, phenomena, phenomena that have national and cultural specificity and do not have an unambiguous analogue in the culture of the host language. V.D. Kalinina writes the following about this: “Most concepts are universal, although embodied in different verbal forms. However, those concepts that reflect realities are of a national nature and are reflected in non-equivalent vocabulary.”

According to the classification developed by S.I. Vlahov and V.S. Florin, realities can be divided into the following main groups:

1. **Absolute** (complete, conceptual) realias. This group includes words characteristic of only one linguistic culture. These include proper names (especially geographical names, names of companies, holidays, national dishes, customs, items of clothing, fairy-tale and mythological characters, drinks, etc.).

2. **Partial realias.** In this group, researchers include non-equivalent vocabulary, the so-called. "false friends of the translator." In the case of partial realities, the units of the original and translation languages demonstrate a partial coincidence in meaning. These are words with cultural connotations that contain background information.

3. **Structural realias.**

4. **Realias that do not have a linguistic equivalent,** but have a conceptual equivalent.

5. **Lexical units with connotations that have equivalents** (Vlahov, Florin, 1986).

Let us dwell in more detail on the partial realities and false friends of the translator. A.V. Fedorov defines these units as “a word that completely or partially coincides (or is close to it) in sound or graphic form with a foreign word, but has different meanings with a certain semantic proximity (related to one field of application)” (Fedorov, 2002: 191) .

Researchers, as a rule, correlate the concept of a translator’s false friends with the so-called. pseudo-internationalisms, i.e. words with an identical or similar form, but differing in denotative, and in some cases, connotative semantics. Examples of false friends of a translator include the following:

Buva – *momo, kampir*

Ayol – *xotin, qiz*

Non – *dasturxon ko ‘rki, eng nozli ne ‘mat*

Do‘st – *birodar, qadrdon*

The translator's false friends function not only at the word level, but also at the level of phraseological units and syntactic structures.

At the level of phraseological units to the false friends of the translator E.Yu. Shamlidi refers to those partial equivalents in the compared pair of languages that coincide in meaning, stylistic orientation and imagery, but demonstrate differences in the following parameters:

- by lexical components: to kill the goose that lays the golden eggs – *oltin tuxum qo ‘yadigan tovuqni o ‘ldirish;*

-according to grammatical indicators: to fish in troubled water – *loyqa suvda baliq ovlash;*

- according to lexical and grammatical design: to be born with a silver spoon – *qayta dunyoga kelish.*

The researcher also classifies a number of stable combinations and cliches as false friends of the translator for the same reasons:

- discrepancies in lexical components: to hold talks – *hamkorlik kelishuvlarini yuritish;*

- discrepancies in grammatical indicators: to go into detail – *aniqliklar kiritish.*

At the syntactic level, the translator's false friends are presented in the following cases:

- in case of apparent coincidence, one of the elements of the syntactic structure does not coincide with a seemingly identical element in the target language:

Bu nima deb nomlanadi? – What (not How) is it called?

Buni siz bilmaysiz, shundaymi? – Yo‘q bilaman. – You don’t know this, do you? - Yes, I do.

- cases when translation involves adding or omitting a component:

How well do you swim? – *Siz qanday suzasiz?*

I cannot afford to go there. – *Men o'z zimni u yerga borishga yo'l qo'yolmayman.*

cases of syntactic compatibility mismatch:

to consult a doctor (the verb requires a direct object) – *shifokor bilan maslahatlashmoq (fe'l predlogli obyektни talab etadi).*

When translating an English text into Uzbek, the translator must be very careful and avoid false friends of the translator.

Used literature:

1. Гейбель, Н.А. Лингвокультурологический аспект иноязычной лексики / Н.А. Гейбель // Материалы конференции «Вопросы лингвистики и лингводидактики: концепт, культура, компетенция»: межвузовский сборник научных трудов / под ред. Г. Г. Галич. – Омск: Омский государственный университет, 2004. – С.45–51.
2. Влахов, С. Непере译имое в переводе / С. Влахов. – М.: Междунар. отношения, 1986. – 416 с.
3. Виноградов, В.С. Лексические вопросы перевода художественной прозы / В.С. Виноградов. – М.: Издательство Московского университета, 1978. – 172 с.
4. 5. Влахов, С. Непере译имое в переводе / С. Влахов. – М.: Междунар. отношения, 1986. – 416 с.
5. 6. Воронкова, И.С. Лингвистическое освоение чужой действительности / И.С. Воронкова: дис. ... канд. филол. наук. – Воронеж, 2011. – 259 с.
6. 7. Гак, В.Г. Языковые преобразования / В.Г. Гак. – М.: Школа «Языки русской культуры», 1998. – 768 с.
7. Вежбицкая, А. Понимание культур через посредство ключевых слов / А. Вежбицкая. – М.: Языки славянской культуры, 2001. – 288 с.
8. Верещагин, Е.М. Язык и культура: Лингвострановедение в преподавании русского языка как иностранного / Е.М. Верещагин, В.Г. Костомаров. – 4-е изд., перераб. и доп. – М.: Рус. язык, 1990. – 247 с.
9. Виноградов, В.С. Введение в переводоведение (общие и лексические вопросы) / В.С. Виноградов. – М.: Изд. Института общего среднего образования РАО, 2001. – 224 с.
10. Виноградов, В.С. Лексические вопросы перевода художественной прозы / В.С. Виноградов. – М.: Издательство Московского университета, 1978. – 172 с.
11. Влахов, С. Непере译имое в переводе / С. Влахов. – М.: Междунар. отношения, 1986. – 416 с.

12. Воронкова, И.С. Лингвистическое освоение чужой действительности / И.С. Воронкова: дис. ... канд. филол. наук. – Воронеж, 2011. – 259 с.
13. Гак, В.Г. Языковые преобразования / В.Г. Гак. – М.: Школа «Языки русской культуры», 1998. – 768 с.
14. Гарбовский, Н.К. Теория перевода / Н.К. Гарбовский. – М.: Изд-во Московского университета, 2004. – 472 с.
15. Гейбель, Н.А. Лингвокультурологический аспект иноязычной лексики / Н.А. Гейбель // Материалы конференции «Вопросы лингвистики и лингводидактики: концепт, культура, компетенция»: межвузовский сборник научных трудов / под ред. Г. Г. Галич. – Омск: Омский государственный университет, 2004. – С.45–51.
16. Есакова, М.Н. Межкультурная асимметрия как переводческая проблема / М.Н. Есакова // Вестн. Моск. ун-та. – Сер.19: Лингвистика и

KOMPRESSOR STANSIYALARINI TABIIY GAZNI SIQISH JARAYONIDA QO'LLANILISHINI AHAMIYATI

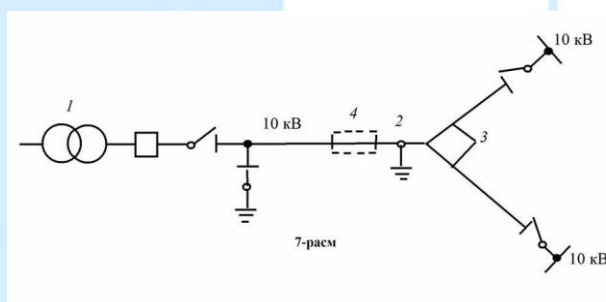
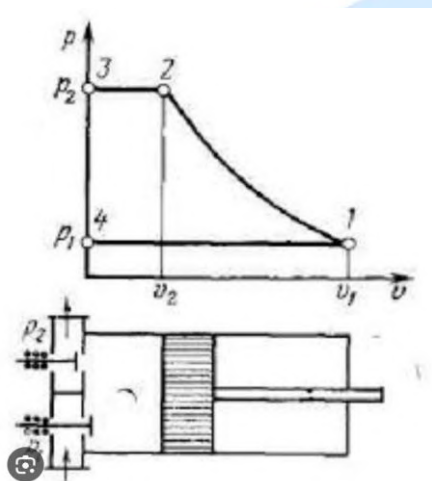
Jo'rayev Xumoyunmirzo Shuxratbek o'g'li

Andijon mashinasozlik instituti TJICHAB yo'nalishi, 4-kurs talabasi

E-mail: jurayevhumoyun56@gmail.com

Tel: +998978387222

Kompressor — havo yoki gazni siqadigan va bosim ostida o'z tadigan qurilma. Tuzilishiga ko'ra, porshenli, rotatsion, markazdan qochirma va oqimli siqiladigan gaz xiliga qarab, havo va kislorod Kompressorlari bosimga qarab past, o'rta va yuqori bosimli xillarga bo'linadi. Havoni 12 kPa bosimgacha siqadigan mashinalar ventilyatorlar, 0,3 MPa gacha siqadigani havo puflagichlar deyiladi. Porshenli kompressor asosan ish silindri va porshendan iborat. U bir va ko'p silindrli, silindrlari vertikal, gorizontal, V-simon va W-simon o'rnatilgan, bir yoqlama yoki ikki yoqlama ishlaydigan, bir yoki ko'p bosqichli bo'ladi. Gaz silindrning ichki devorlari bilan ilgariylanma qaytma harakat qiladigan porshen orasida qisiladi. Rotatsion Kompressorda aylanuvchi bir yoki bir necha porshen — rotor ish organi hisoblanadi. Ularda so'rilgan gazning xajmi rotorda eksentrik joylashgan sirpanuvchi plastina bilan silindr orasida (plastina-vintsimon rotor orasida (vintli kompressor) kamayadi. Markazdan qochirma Kompressorda rotorning ish g'ildiragiga aylanma harakat beradigan gaz, avval markazdan qochma kuch ta'sirida, so'ngra harakat tezligining pasayishi natijasida (halqa diffo'zorda) siqiladi. Bunda gaz rotor kuraklari bilan korpusning qo'zg'almas kuraklari orasida siqiladi. Markazdan qochirma va kompressorni turbokompressorlar ham deb ataladi. Oqimli kompressorlarning tuzilishi va ishlashi oqimli nasoslarga o'xshash, ammo bosim darajasi nasosnikidan yuqori. Bunda ish muhiti sifatida, ko'pincha, suv bug'idan foydalaniladi. Kompressorlar sanoatning ko'p tarmoqlarida ishlatiladi. [1]



Компрессор стансиyasi -energiya eltgich (pnevmatik asboblar uchun havo, isitish uchun gaz) yoki xom ashyo (havodan kislorod, azot-vodorod aralashmasidan ammiak olish) sifatida foydalaniladigan qisilgan gaz yoxud havo olish uchun qo'llaniladigan statsionar qurilma. Kompressor stansiyasi turli sanoat korxonalari va qurilish maydonchalariga o'rnatiladi. Kompressor stansiyasi kompressor va boshqa jihozlar — siqilgan (havo)gaz idishlari, gaz yig'gichlar, suv, havo va sovitish qurilmalari, muxandislik kommunikatsiya tarmoqlari (vodoprovod tarmog'i vodoprovod, kanalizatsiya, bug', issiq suv), transformator kichik stansiyasi o'rnatilgan asosiy bino va xodimlar binosidan iborat. Kompressor stansiyasi alohida joyga olovbardosh materiallardan quriladi. Ayrim (masalan, kompressor jihozlari ishlab chiqarishga ta'sir qilmaydigan) hollarda korxonada joylashishi mumkin. Vazifasiga qarab kompressorlar havo va gaz (kislorod) kompressorlariga bo'linadi. Umumiy ahamiyatga ega bo'lgan havo kompressorlari ko'p tarqalgan.[2]

Bu mashinalar bosimi 5.0 MPa gacha bo'lgan siqilgan havolarni ishlab chiqariladi. Siqilgan havo xalq xo'jaligining har xil tarmoqlarida keng qo'llaniladi. Masalan metallurgiya sanoatida, neft sanoatida, gaztrubinali qurilma va reaktiv dvigatellar. Bundan tashqari siqilgan havo porshenli ichki yonuv dvigatellarida purkash, yurgizish, tozalash uchun ishlatiladi. Energetika sohasida qozonlarning o'tin xonasida xaydash uchun qo'llaniladi. Sochiluvchi moddalarni transportirovka qilish, materiallarni aralashtirish uchun, changlarni seporatsiya qilish uchun va boshqa ko'p jarayonlarda qo'llaniladi. Gaz (kislorod) kompressorlari o'ziga xos gruppani tashkil qiladi, ya'ni ishchi organlari maxsus moylovchi materiallarni va kislorodni tirkishlardan chiqib ketmasligi uchun aloxida zichlagichlar talab qiladi. Ishlash prinsipi bo'yicha porshenli (hajmi) kompressorlarga va turbo kompressorlarga bo'linadi. (2). Porshenli kompressorlarda bosimni ortishi ichida gaz bo'lgan yopiq muhitda hajmni kamayishi hisobigi amalga oshadi (porshen, silindrda) qisilganda gaz amalda qo'zg'almaydi va unda inertsiya kuchlari hosil bo'lmaydi. Bu mashinalarning harakterli oyi shundaki ishchi jarayon davriydir.[3]

Turbokompressorlarda siqish gaz oqimining inertsiya kuchidan foydalanish hisobiga amalga oshadi. Bunday mashinalarda energiyani o'zgartirishni shartli ikki bosqichga bo'linadi:

- 1) Birinchi bosqichda gazga energiya beriladi (aylanuvchi lotatali apparat bilan);
- 2) Ikkinchi bosqichda gaz oqimi tormozlanadi va uning kinetik energiyasi potentsial energiyaga aylanitirladi.

Ikkala bosqich ham bir vaqtni o'zida sodir bo'lishi mumkin. Bu mashinaning harakterli xususiyati shuni ishchi jarayon to'xtovsiz bo'ladi. Turbokompressorlar havo oqimini harakat yo'nalishiga qarab markazdan qochma va uqiy bo'lishi mumkin. Markazdan qochma mashinalarda oqim harakati radial bo'ladi (markaziy aylanuvchi ishchi g'ildiraklarning chetiga tamon). Uqiy

mashinalarda havo oqimi harakati ishchi g'ildirakning aylanish o'qi bo'yab yuborilgan bo'ladi.

Turbokompressorlar gaz bosimini orttirish darajasi bo'yicha quyidagilarga bo'linadi:

1) Ventilyatorlarga ($k < 1,15$);

2) Haydovchi yoki gazpurkovchi ($k > 1,15$ sovutish bo'lmaganda);

3) Kompressorlarga ($k >$ sovutish bo'lganda). Siqilgan gazni olish juda energiya ko'p sarflanadigan jarayondir. Porshenli kompressorni ishlash printsiipi quyidagicha: porshen chapdan unig tamonga harakatlanganda silindrdagi bosim kamayadi va bu bosim kamayishi hisobiga so'ruvchi klapan ochiladi silindr gaz bilan to'ladi, surish indikator diagrammasida 4,1 chiziq bilan xarakterlanadi. [4]

Xulosa.

Tabiiy gazlar, ko'p yonaltirilgan sanoat ishlab chiqarish ko'plab jarayonlarda ishlab chiqariladi. Ular gazni transport qilish, energiyani olish, ish joylarini tozalash, va ximoya qilish kabi muhimda jarayonlarni tozalash. Bu jarayonlarda tabiiy gazni siqish uchun pnevmatik kompressorlar muhim korxonaga ega. Pnevmatik kompressorlar, tabiiy gazlar uchun ishlab chiqarish ishlab chiqarish va ishlab chiqarish gazni kompilyatsiya qilishda, uni ishlab chiqarishda, va ish yuk tashishda qo'shimcha ravishda. Ular ko'p yonaltirilgan sohalar uchun zarur va qo'lga kiritilgan. Tabiiy gazlarni siqish jarayonlarida pnevmatik kompressor stansiyalari muhim vazifalarni bajarish. Gazni siqish, pnevmatik kompressorlar tabiiy gazlarni katta bosim ostida siqish vaqtini o'zlashtirish uchun ishlab chiqarish.

Energiyani olish: Kompressorlar tabiiy gazlardan komprimatsiyalangan energiyani olish uchun. Bu energiya elektr energiyasi, mexanik energiya yoki boshqa xil energiyaga ajratish mumkin.

Isitish: Kompressorlar uchun tabiiy gazlardan qilingan qizish energiyani qoplash uchun. Bu oziq-ovqat, quruq, qizg'in yoki boshqa xil narsalarni olish uchun.

Qozib saqlash: Pnevmatik kompressor berish uchun oziq-ovqat mahsulotlari, masalan, pnevmatik oziqlantirishlar, turadigan joylar, yoki ish mashinasi qurilishlariga yon yordam. Pnevmatik kompressor stansiyalarining tabiiy gazni siqish jarayonida qo'shimcha muhim ahamiyati ko'rsatilgan. Ular sanoatning har bir tabiiy gazlarni samarali va to'ri shaklda qishlash, energiyani olish, yashash, va qo'llab-quvvatlash uchun kerakli miqdorda foydalanish mumkin. Tabiiy siqish jarayonlarida pnevmatik kompressorlarning rolini ishlab chiqarish va ularni rivojlantirish, sanoat ishlab chiqarish energiya isrofini va atrof muhitni saqlashga qo'llanishning eng muhim yo'nalishlari.

Maqolani tayyorlashda yaqindan yordam bergan MICHA Kafedrasida asisenti S.Orifjonov ga minnatdorchiligimni bildiraman.

Фойдаланилган адабиётлар рo'yxати

1. O'zbekiston milliy ensiklopediyasi 2-tom, Toshkent, 2001-704(340) bet.
2. Иминов Ш. Ж. Алтернативное топливо на основе органики, Тошкент, 2013. - 260 бет.
3. Internet ma'lumoti. Manba: Energiya - ... potentsial va kinetik energiya. fizika energiya nima? (delachieve.com)
4. Internet ma'lumoti. Manba: <https://e-library.namdu.uz/30> Техника фанлар/Energiya tejamkorlik asoslari. Xoshimov F. A.pdf

BOSHLANG'ICH SINFLARGA SIFAT SO'Z TURKUMI O'QITITISH METODIKASI

*Madumarova Mubina
Do'smatova Muslimaxon
Yo'ldasheva Sevara*

*Qo'qon Universiteti Boshlang'ich ta'lim yo'nalishi
1-bosqich talabalari*

Annotatsiya. Mazkur maqolada biz sizlar bilan qanday qilib boshlang'ich sinf o'quvchilariga eng samarali metod va usullardan foydalangan holda dars tashkil etishni, sifat so'z turkumini o'qitish metodikalarini ko'rib chiqamiz va o'rganamiz. Boshlang'ich sinflarda so'z turkumlari mavzusi eng muhim mavzulardan biri bo'lib, maqolamizda qanday yo'l bilan sifat so'z turkumini bolalarga qulay tarzda tushuntirish metodlari haqida so'z olib borilgan.

Kalit so'zlar. So'z turkumlari, sifat so'z turkumi, boshlang'ich sinf o'quvchilari, pedagoglar, qulay va samarali metodlar, fikrlash, ilk maktab davri, aqliy salohiyat

Kirish. Davrimizda yosh avlod tarbiyasiga, ta'limiga berilayotgan ahamiyat va yaratilyotgan sharoitlar kundan-kunga jadal ravishda o'sib, rivojlanib bormoqda. Endilikda pedagoglar oldiga qo'yilayotgan talablar yanada kuchli. O'qituvchilar bolalarni ilk maktab davridanoq jismonan sog'lom, ruhan tetik va aqliy faoliyati yuksak bo'lishi uchun qo'llaridan kelgan barcha ishlarni qilishmoqda. Shu bilan birga pedagoglar mehnatiga hamohang tarzda o'tilayotgan darslar o'z natijalarini bermoqda. Hozirgi kunga texnologiyalar rivojlanib ketganligi sababli hatto boshlang'ich sinf o'quvchilari uchun tashkil etilayotgan darslar ham zamon bilan ham nafas bo'lishi talab etiladi. Buning uchun, albatta, har bir pedagog o'z ustida tinmay ishlashi, zamonaviy metodlarni o'rganib borishi va qay yo'l bilan bolalarga mavzuni osson tushuntira olishini oldindan bilmog'i lozim. Maqolamizda biz sizlar bilan birgalikda boshlang'ich sinflarga sifat so'z turkumi o'qitishning eng qulay metodlarini ko'rib chiqamiz.

Sifat predmetlarning belgisini bildiruvchi so'z turkumi bo'lib, belgi so'zi kebg ma'noga egadir. Ya'ni sifatlar predmetlarning rang-tusini, hajmini, shakl-ko'rinishini va xususiyatlarini bildiradigan so'zlardir. Shuning uchun sifatlar ma'no jihatidan bir necha turlarga bo'linadi. Sifatning boshqa so'z turkumlaridan ajralib turadigan tarafi undagi daraja kategoriyasidir. Bu so'z turkumi daraja nuqtai nazaridan uch xil bo'ladi. Me'yoriy, me'yordan past va me'yordan baland sifatlar. Pedagoglar esa bunday sifatlarini oddiy, qiyosiy, orttirma darajadagi sifatlar sifatida bolajonlarga o'rgatishadi. Misol tariqasida chiroyli, chiroyliroq, juda chiroyli so'zlarini olishimiz mumkin.

Ma'lumki, boshlang'ich sinflar deya atalmish bu davr maktab bosqichining eng muhim qismi bo'lib, o'quvchilar aynan shu davr savodxonlikni o'rganishadi. Oldinlari boshlang'ich sinf deganda biz o'qish va yozish savodxonligiga ega, ma'lum bir fanlardan dastlabki tushunchasi bor o'quvchilarni o'ylar edik. Ammo hozirgi kunga kelib, bolalar ilk maktab davridanoq nafaqat o'qish, yozishni balki, mustaqil fikrlay olish va o'z fikrlarini ravon nuqt yordamida bayon qilishni ham o'rganib borishmoqda. Shuning uchun mavzularnio'tayotganimizda bolalarning aqliy salohiyatlarini hisobga olish juda ham muhim masaladir.

O'quvchilar birinchi sinfdan to'rtinchi sinfga qadar sifat so'z turkumini ona tili ham doirasida qisqa va lo'nda tarzda o'rganadilar.

Asosiy qism. Sifatning leksik ma'nosi uni ot bilan bog'lab o'rganishni talab qiladi. Shu sababli bu mavzu pedagoglar birmuncha qulaydir. Bolalarga sifatning qoidasini, bu qanday so'z turkumi ekanligini va uning uchun ishlatilishini tushuntirganimizdan keyin, ukarni darsga jalb qilish maqsadida birgalikda turli o'yinlarni o'tqazishimiz mumkin. Masalan eng odatiy bo'lishiga qaramasdan juda osson metod hisoblanadigan guruhlar bilan ishlash metodidan foydalanishimiz mumkin. bunda o'quvchilarni ikki yoki uch guruhga bo'lamiz va ularga topshiriq beramiz. Deylik birinchi guruh o'qituvchi ko'rsatgan narsaning shaklini, ikkinchi guruh esa maza-ta'mini yoki rangini aytishi va o'zi aytgan sifatga savol berishi mumkin. O'qituvchilari esa ularga tuli meva yoki sabzavotlarning rasmini ko'rsatadi. Bu metod juda oddiy ko'ringani bilan aslida bolalarning darsga bo'lgan ishtiyoqini kuchaytiradi, guruh o'rtasida sog'lom raqobatlashishni o'rgatadi, shuningdek, jamoa bo'lib ishlash bolalarga o'z foydasini bermay qolmaydi. Pedagog esa bu qulay usul orqali ham dars mavzunisi bolalarga tushuntirgan, mustahkamlagan bo'ladi, ham ularning vaqti qiziqarli o'tishiga sabab bo'ladi. Shu bilan birgalikda bolalar nafaqat sifatlarni ajratishni, balki, ularga qanday savol berishni ham o'rganishadi.

Yana bir metodlarimizdan biriga men "mening do'stim" nomini qo'ygan bo'lar edim. Bilamizki, ilk maktab davrida bolalar bir-birlari bilan juda ahil bo'lishadi va har birlarining ajralmas do'stlari bor. Biz ketma-ketlikda bolalardan o'zlarining eng yaqin bir yoki bir nechta do'stlarini eng kamida beshta oddiy yoki bo'rttirma darajadagi sifatlarni qo'llagan holda tasvirlab berishlarini so'raymiz. O'quvchilar esa o'rtoqlariga go'zal tasviflar berish uchun ham darsda faol bo'lishadi. Bu metodning yana bir ustun taraflaridan biri esa-ham bir pedagog, ham ularning sinf rahbari sifatida o'quvchilaringizning yaqin do'stlaridan xabardor bo'lasiz. E'tibor berishimiz kerak bo'lgan tarafi esa metodda sifatning orttirma va oddiy darajalarigina ishtirok etayotganidir. Bu metodda qiyosiy darajani qo'llagan taqdirimizda, o'quvchilar o'rtasidagi o'zaro nizo va tortishuvlarga sabab bo'lib qolishimiz mumkin. Dars so'ngida esa o'quvchilarning bilimlarini, aqliy salohiyatlarini yanada rivojlantirish maqsadida mantiqiy testlardan foydalanishimiz mumkin. buning uchun biz bir qator

sifatlarni yozib chiqamiz. Masalan: qizil, shirin hidli, chiroyli. Bunga javoban esa variantlarga bir nechta predmet nomini yozamiz. Bolajonlar esa javob topishlari va sifatlaning so'roqlarini aytishlari kerak. Darsning tugallanish qismida o'quvchilar bilishi kerak bo'lgan yana bir muhim narsa bu Sifatning gapda ikkinchi darajali bo'lak vazifasida kelishi, gapda to'liqlik bilan belgilanishi.¹

Xulosa. Xulosa o'rnida aytishimiz mumkinki, yetuk pedagog bo'lishni istagan har bir o'qituvchi zamon bilan hamnafas bo'lishligi talab etiladi. Bolalarning aqliy salohiyatlariga ko'ra metodlardan foydalanib dars o'ta oladigan pedagoglarga bugungi kunning qahramonlaridir. O'qituvchilar nafaqat bilimlari bilan, balki, o'z kreativ g'oyalari, esdaqolar metodlari, qiziqarli ussul va topshiriqlari bilan ham qogan barcha kasb egalaridan ajralib turishlari lozim. Eng muhimi esa bolalarni tushuna olish, ularni yaxshi ko'rish va o'z kasbiga layoqat bilan yondashishdir. Bola psixologiyasin tushungan pedagoglar uchun bu sohada ish olib boorish nafaqat osson, balki, juda maroqli ham bo'ladi. Ayniqsa boshlang'ich sinf bu poydevordir. Uni qay shaklda qurish va yo'naltirish pedagoglar qo'lida. Aynan shuning uchun sizning har bir harakatingiz bsmisoli ko'zgu ekanligini, o'quvchilaringiz sizga taqliq orqali sizni ko'zgudagi aksingizni jonlantirishlarini unutmang!

¹ <https://reja.tdpu.uz/shaxsiyreja/views/openlesson/download.php?id=8326>.

NUTQNING ASOSIY FONETIK BIRLIKLARI

Abdullayeva Vazira

Ta'lim kafedra o'qituvchisi

Mamatbekova Moxinur Shavkatjon qizi

Maxmudova Maftuna Dilmurodjon qizi

Ismoilova Shohista Marufjon qizi

Qo'qon Universiteti boshlang'ich ya'lim yo'nalishi

1- bosqich talabasi

Anotatsiya: Maqolada nutq birliklari va ularning til birliklariga bo'lgan munosabati kabi masalalar o'rganilgan. Xususan, nutq birliklaridan bo'lgan tovush, so'z birikmasi, so'z va gaplarning o'ziga xos xususiyatlari tahlil qilingan.

Kalit so'zlar: Tovush, leksema, fonema, morfema, nutq munosabatlari, gap, til birligi, bo'g'in, urg'u, pertseptiv va lingvistik.

Tovush. Tilning eng kichik (minimal) birligi fonema, nutqning eng kichik (minimal) birligi tovush hisoblanadi. Negaki, tovush fonemaning nutqdagi aniq namoyon bo'lishi, muayyan ko'rinishi, harakatidir. Fonema fonologik birlik sifatida fonetik birlik bo'lgan tovush bilan uzviy aloqada – munosabatda bo'ladi. Bu mutlaqo tabiiy va mantiqiydir. Nutq birligi bo'lgan tovushlar xususiylik sifatida tilning ashyosi, moddiy materiali bo'lib, fizik, akustik, fiziologik hamda lingvistik kabi qator belgilarga egaligi bilan o'ziga xosdir. Aniqroq qilib aytsak, tovushning talaffuzi, ta'sir qilishi, sezgi uyg'otishi, balandligi, kuchi, tembri, cho'ziqligi, aniqligi kabi qator xususiyatlari borki, bular fonetikaning fizik – akustik, anatomik – fiziologik, pertseptiv va lingvistik – funktsional aspektlari deb qaraladi. Kishining murakkab artikulyatsion faoliyat natijasi hisoblangan, muayyan akustik (eshitilish) va perseptiv (idrok etilish) xususiyatlari bilan ajralib turadigan eng kichik nutq birligi. Talaffuz usuliga muvofiq holda Tovushning akustikasi, artikulyatsiyasi va persepsiyasi haqida fikr yuritiladi. Har bir nutq tovushi artikulyatsion jihatdan talaffuz a'zolarining murakkab harakati natijasida paydo bo'ladi. Akustik jihatdan esa, har qanday boshqa tovush singari, havo muhiti orqali tarqaladigan tebranma harakat sifatida ta'riflanishi mumkin. Nutq tovushlarini hosil qiluvchi vosita (tebrantiruvchi kuch) o'pkadan nafas yo'li orqali chiqib, avval bo'g'izga va undan og'iz bo'shlig'iga, ba'zan burun bo'shlig'iga o'tadigan havo oqimidir. Ovoz (un), asosan, bo'g'izda hosil bo'ladi. Unda ko'ndalang joylashgan elastik, yupqa tovush (un) paychalari mavjud bo'lib, so'zlash paytida o'pkadan chiqayotgan havoning kuchi bilan titraydi va ovoz hosil qiladi. Unlilar, sonorlar va jarangli undoshlardagi ovoz ana shuning natijasidir. Bo'g'iz orqali o'tgan havo oqimi til, tanglay, tish yoki ikki labning to'sqinligiga duch kelib, shovqin

paydo qiladi, natkjada jarangsiz undoshlar hosil bo‘ladi. Tovushning til sistemasidagi eng muhim xususiyati uning til (nutq) birliklarining: morfema, leksema, so‘z (so‘z formasi) kabilarning moddiy qiyofasini, ifoda tomonini, shaklini qurishdir, shakllantirishdir. Demak, tovush til sistemasining eng asosiy, eng dastlabki qurilish materiali, moddiy asosidir. Boshqacha qilib aytganda, masalan, so‘zning moddiy tomoni uning tovush qobig‘ini tashkil qiladi. Tovush qobig‘i esa muayyan narsa, predmet, xususiyat bilan bog‘lanib, ijtimoiy ahamiyatga ega bo‘ladi. Tovush o‘zi yaratgan, “qurgan” so‘zni tovush jihatdan farqlash, demak, ma‘no jihatdan farqlash, fonetik-semantik differentsiatsiya qilish uchun xizmat qilsa, u fonema – til birligining ko‘rinishi, voqelanishi sifatida baholanadi. Fonemaning tovushga, tovushning fonemaga o‘tishi mantiqiy – zaruriy jarayon bo‘lib, til va nutq dialektikasining fonema va tovush orqali voqelanishidir. Fonema va tovush nisbiy butunlik, nisbiy yaxlitlik sifatida til va nutqda, aytilganidek, ijtimoiy vazifa bajaradi.

1. Tovush – nutq birligi, fonemaning nutqdagi voqelanishi, harakati, uning moddiy asosi.
2. Tovush - xususiylik sifatida fizik, akustik, fiziologik va lisoniy (lingvistik) belgilarga ega.
3. Tovush – til (nutq) birliklarining (morfema, leksema, so‘zlarning) moddiy qobig‘i, ifoda tomoni sifatida muayyan predmet bilan bog‘lanadi.
4. Tovush fonemaning voqelanishi sifatida muayyan birliklarni fonetiksemantik jihatdan farqlaydi, ijtimoiy vazifa bajaradi, ijtimoiy ahamiyatga ega bo‘ladi.
5. Har bir tovush fonema bo‘lish qobiliyatiga ega. Tovush fonemaga, fonema tovushga o‘tib turadi.
6. Tovush tarixiy – etimologik – kelib chiqishi, paydo bo‘lishi jihatidan birlamchi, fonema-ikkilamchi.

So‘z birikmasi nutq birligi deb xisoblangan so‘z birikmasi nutqiy hosila sifatida til va nutq birliklarining – leksema va so‘zlarning nutq faoliyatida erkin birikuvidan, mantiqiy – ma‘noviy munosabatga kirishuvidan yuzaga keladi. Aniqrog‘i, so‘z birikmasining o‘ziga xosligi, yaratilishiga ko‘ra eng muhim jihati shundaki, u nutq jarayonida “etishtiriladi”, hosil bo‘ladi, aktual birlikka aylanadi. So‘z birikmasi mustaqil ma‘noli so‘zlarning (leksemalarning) o‘zaro bog‘lanishidan yuzaga kelib, gap bilan so‘z orasidagi oraliq nutqiy birlik – nutq mahsuli sifatida baholanadi. U gap uchun qurilish materiali bo‘lib xizmat qiladi. Ayni vaqtda so‘z birikmasi so‘zga nisbatan ham shaklan – miqdoran, ham mazmunan sifat jihatdan boyligi, kengligi, mukammalligi va aniqligi bilan ustun turadi. So‘z birikmasining yaratilishida so‘zlar xizmat qiladi, gaplarning yaratilishida esa so‘z birikmalari xizmat qiladi. So‘z birikmasi muayyan mazmun jihatiga ega bo‘lib, ushbu mazmun jihatida birikma tarkibidagi so‘zlarning ma‘nolariga asoslanadi. Shunga ko‘ra so‘z birikmasi semantikasi so‘z semantikasiga ko‘ra aniqroq, chuqurroq, murakkabroq va to‘laroq

bo'ladi. Negaki, u bir nechta so'z ma'nosining o'zaro "qorishuvidan", ichki munosabatidan, zanjirli bog'lanishidan yuzaga keladi. So'z birikmasi ham, aslida so'z kabi, atash vazifasini – nominativ vazifani bajaradi. Anig'i, so'z birikmasidagi atash vazifasi bir nechta so'zlarning (leksemalarning) o'zaro erkin sintaktik aloqaga, munosabatga kirishuviga ko'ra amalga oshadi. So'z birikmasi ham, aytilganidek, ifoda va mazmun, moddiy va ma'noviy jihatlarga egaligiga ko'ra morfema, leksema va so'z kabi til (nutq) birliklari bilan umumiylikni hosil qiladi. So'z birikmasining o'ziga xosligi yana shundaki, u sintaktik birlik sifatida so'zdan farq qilsa, boshqa sintaktik birlik bo'lgan gap bilan umumiylikka ega bo'ladi. Ammo bu umumiylik asosida muayyan xususiyliklar, farqli jihatlari yotadi, ya'ni so'z birikmasi fikr ifodalamaydi. Shunga ko'ra u gapga xos fikriy tugallik intonatsiyasiga ega emas. Shunday qilib, so'zlarning birikib, so'z birikmasini hosil qilishi, dastavval, birikma tarkibidagi so'zlarning ma'no imkoniyatiga ko'ra amalga oshadi. So'zlar orasidagi semantik munosabat esa bevosita sintaktik munosabatni yuzaga keltiradi. Shunga ko'ra birikma konstruksiyasi tuziladi.

So'z birikmasi ham fonetik, leksik-grammatik va semantik jihatlarning birligidan tashkil topadi.

1. So'z birikmasi nutq mahsuli, nutq birligidir.
2. So'z birikmasi birdan ortiq mustaqil ma'noli so'zlarning o'zaro birikuvidan tashkil topib, nisbatan aniq ma'no ifodalaydi, nutqda nominativ vazifa bajaradi.
3. So'z birikmasi komponentlari o'zaro tobe-hokim munosabatida bo'ladi.
4. So'z birikmasi hokim komponentining qaysi so'z turkumiga tegishligiga ko'ra turlicha nomlanadi (o'sha turkum nomi bilan ataladi).
5. So'z birikmalari tuzilishiga ko'ra sodda va murakkab birikmalarga bo'linadi.
6. So'z birikmasi asosida so'z valentligi-so'zning valentlik imkoniyati yotadi.

Gap. Gap ifoda va mazmun jihatlarga ega nominativ (alohida olinganda) va kommunikativ (matn ichida berilganda) birlik sifatida morfema, leksema, so'z va so'z birikmasi kabi til hamda nutq birliklari bilan umumiylikni hosil qiladi. Ammo gap nutq jarayoni sifatida qayd etilgan lisoniy birliklardan farqli jamiyatda kommunikativ vazifa bajaradi, kommunikasiya akti birligi hisoblanadi. Til aloqa quroli bo'lish vazifasini gap orqali amalga oshiradi. Chunki gap fikr ifodalash vositasi sifatida faqat o'ziga xosligi bilan, semantik-grammatik, prosodemik shakllanganligi bilan boshqa lisoniy birliklardan ajralib turadi. Anig'i gap fikr ifodalash – axborot (xabar) berish va axborot (xabar) olish birligidir. Yuqorida qayd etilgan boshqa barcha birliklar gap uchun qurilish materiali bo'lib xizmat qiladi. Gap mazmun jihatida ob'ektiv borliq aniq holda emas, balki umumlashtirilgan holda ifodalanadi. Shuningdek, gap mazmunida ob'ektiv borliqdan tashqari kishining mazkur borliqqa bo'lgan munosabati – modallik-kommunikativ modallik ham mavjud bo'ladi. Modallik esa predikativlikning muayyan ko'rinishi, tarkibiy qismi sifatida voqelashadi. Boshqacha aytganda, gapning

grammatik asosini predikativlik – muayyan narsa-predmetning muayyan belgi-xususiyatini tasdiqlash yoki inkor qilish tashkil qiladi. Xullas, gap predikativlik ifodasiga ega bo‘lib, bu uning grammatik belgisi sifatida zamon, shaxs, modallik, mayl kabi grammatik sistemalarni-kategoriyalarni o‘z ichiga oladi. Ayni vaqtda gapning predikativlikka ega bo‘lishining o‘zi bu birlikning o‘ziga xos fonetik shakllanishini ham taqozo qiladi: predikativlik mavjud bo‘lgan joyda, albatta, intonasion shakllanish ham bo‘ladi. Chunki intonasiya gapning tashqi shaklidir. U gapning boshlanish va tugash chegaralarini ko‘rsatadi, jumladan, delimitativ (chegaralash, ajratish) funksiyani bajaradi. Kishilarning o‘zaro aloqa qilishlari gap orqali amalga oshirilgani uchun intonasiya ham predikativlik kabi kommunikativ vazifani bajaruvchi vosita bo‘lib, u gapning uchinchi muhim belgisidir. Shunday qilib, gap ob'ektiv borliqni kishining unga munosabati orqali ifodalaydigan leksik-grammatik va intonatsion butunlikdan iborat bo‘lgan alohida nutqiy formadir, nutq faoliyatidir – London is the capital of Great Britain. Ushbu gapda tasdiq, munosabat, intonatsion tugallik mavjud. Demak, gapni gap qiluvchi muhim jihatlar predikativlik va intonatsiyadir. Gap nutq birligi-sintaktik birlik sifatida ifoda maqsadiga va tuzilishiga ko‘ra muayyan turlarga ajraladi. Gap mazmun tomoni orqali darak, so‘roq, buyruq kabi xabarlar voqelashadi.

Ushbu jarayonlar gap mantiqiy tomonining asosini tashkil qiladi.

1. Gap ifoda va mazmun jihatlariga ega nutq birligidir.
2. Gap kommunikativ jarayon – fikr ifodalash birligi bo‘lib, semantik, grammatik va prosodemik shakllangandir.
3. Gapning grammatik asosini predikativlik tashkil qiladi.
4. Gap intonasion shakllanganligi bilan ham o‘ziga xosdir.
5. Gap ifoda maqsadiga va tuzilishiga ko‘ra muayyan turlarga ajraladi.

Bo‘g‘in o‘pkadan chiqib kelayotgan havo oqimiga berilgan bir zarb bilan aytiladigan tovushlar yoki ayrim bir tovushdir. Unli tovush bo‘g‘in hosil qiluvchi tovushdir. Shuning uchun so‘zda nechta unli tovush bo‘lsa, bo‘g‘inlar soni ham shuncha bo‘ladi. Masalan, adolat so‘zida uch bo‘g‘in bor: *a-do-lat*. Birinchi bo‘g‘in bir tovushdan, ikkinchi bo‘g‘in ikki tovushdan, uchinchi bo‘g‘in uch tovushdan iborat. Demak, bo‘g‘inlar bir tovushli, ikki tovushli va ko‘p tovushli bo‘lishi mumkin. Chunonchi: *o-ta, o-na, a-ka* so‘zlarining birinchi bo‘g‘ini bir tovushdan, ikkinchi bo‘g‘ini ikki tovushdan, *a-dir, o-qil, e-shit, i-dish* so‘zlarining ikkinchi bo‘g‘ini uch tovushdan, *a-van-gard, ak-sent, e-le-ment, an-ti-fa-shist, ar-tist, ge-o-graf* so‘zlarining oxirgi bo‘g‘ini to‘rt tovushdan, *a-le-bastr, a-git-punkt* so‘zlarining oxirgi bo‘g‘ini besh tovushdan iborat. Bo‘g‘inning tuzilishi quyidagicha ifodalanadi: ona: **V – C**. Bunda **V** belgisi lotincha **vokalis** so‘zidan olingan bo‘lib, aslida unli (ovoz) degan ma‘noni bildiradi. **C** belgisi esa inglizcha **constant** so‘zidan olingan bo‘lib, undosh degan ma‘noni bildiradi. Bir tovushli bo‘g‘inlar unli tovushdangina iborat bo‘lsa, ikki tovushli va ko‘p tovushli bo‘g‘inlar unli va undosh tovushlardan tuziladi. Bo‘g‘inlar

qanday tovushlar bilan boshlanishi va qanday tovushlar bilan tugashiga qarab turlarga ajratiladi.

Qanday tovush bilan tugashiga ko'ra ikki xil:

1) ochiq bo'g'in – bir tovushli yoki oxiri unli tovush bilan tugagan bo'g'in: *o-voza, o-i-la, ba-ho, bi-no, de-le-ga-tsi-ya, ja-zi-ra-ma, Ra-hi-ma*;

2) yopiq bo'g'in undosh tovush bilan tugagan bo'g'in: *zarb-dor, zum-rad, id-rok*.

Bo'g'inlari qanday tovush bilan boshlanishiga ko'ra ham ikki xil bo'ladi:

1) berkitilgan bo'g'in undosh bilan boshlanadi: *ta-lab, tinch-lik*.

2) berkitilmagan bo'g'in unli bilan boshlanadi: *o'-qish, a'-lo*.

Tarkibidagi bo'g'inlar soniga ko'ra so'zlar bir bo'g'inli (ish, ko'k, kam, oz, besh, yuz, sen, pisht, ol, yoz); ikki bo'g'inli (da-la, qush-cha, yax-shi, shar-bat, qi-zil, ik-ki, ol-ti, o't-tiz, ni-ma, ham-ma, o'-qi, ish-la, bor-di, bu-gun, se-kin, bi-lan, xud-di, ...); ko'p bo'g'inli (qo'-g'ir-choq, a-ra-va-cha, pla-ne-ta-riy, ...) bo'ladi.

Kombinator o'zgarishlar so'z tarkibidagi tovushlarning bir-biriga o'zaro ta'siri natijasida ro'y beradigan tovush o'zgarishi (fonetik o'zgarish) kombinator o'zgarish deyiladi. Bunga assimilyatsiya, dissimilyatsiya, metateza kabi hodisalar kiradi.

- Assimilyatsiyada tovushlardan biri ikkinchi bir tovushni o'ziga aynan yoki qisman o'xshatib oladi. Masalan, xat-ni – xatti (o'zakdagi t tovushi affiks tarkibidagi n ni aynan o'ziga o'xshash tovush – t ga aylantiradi (yozilishi: xatni);

- ish+ga – ishka (bunda o'zakdagi jarangsiz undosh sh affiks tarkibidagi jarangli undosh g ni o'ziga qisman o'xshatadi, ya'ni jarangsiz k ga aylantiradi (yozilishi ishga). Shunga ko'ra assimilyatsiya yana ikki turga bo'linadi: 1) progressiv assimilyatsiyada oldingi tovush o'zidan keyingi tovushni o'ziga o'xshatadi: ot+da = otta (yozilishi otda), bilak+ga – bilakka (yozilishi: bilakka). 2) regressiv assimilyatsiyada keyingi tovush o'zidan oldingi tovushni o'ziga o'xshatadi: tanbur – tambur, yigit+cha = yigichcha, non+voy = novvoy, (yozilishi: tanbur, yigitcha, nonvoy).

Dissimilyatsiyada ikkita aynan yoki qisman o'xshash tovushdan biri yoki har ikkalasi talaffuzda o'zgarib, noo'xshash tovushga aylanib qoladi. Masalan, zarur – zaril (zarar so'zi tarkibidagi ikkita bir xil r undoshining biri talaffuzda l ga aylangan).

Misol uchun: koridor>kalidor, devor>devol, nodon>lodon, biror>biron (yozilishi: zarur, koridor, devor, biror yoki biror, nodon).

Metateza so'z tarkibidagi ayrim tovushlarning talaffuzda o'rin almashuvidir. Masalan: daryo – dayro (bunda r va y undoshlarining o'zaro o'rin almashuvi yuz bergan); ahvol – avhol (hv-vh), aylanay – aynalay (ln-nl), tuproq-turpoq (pr-rp); yog'mir-yomg'ir (g'm- mg'); yozilishi: daryo, ahvol, aylanay, tuproq, yomg'ir.

Xulosa qilib shuni aytish joizki, nutqning asosiy fonetik birliklari ovoz, harf, so'z va jumla. Ovoz harfning keltirilishi va uning izohlanishi uchun istifoda qilinadi. Harf ovozni yozishda ishlatiladi va ular so'z va jumalarga yig'iladi. So'z ovoz va harflarning birlashmasidan tashkil topadi va odatda bir ma'no, ko'rsatish, yoki har doim

bir narsa hisoblanadi. Jumla soʻzlarning bir-biriga bogʻlangan qatorlaridir va maʼnoni ifodalaydi. Til birligi sifatida gap qurilish modellari (qoliplar) nutqda nominativ birliklar va grammatik vositalar bilan toʻldiriladi. Umumiy xulosa shuki, til va nutq birliklari tilni-kommunikativ jarayonni harakatlantiruvchi, moddiy asos bilan taʼminlovchi, ijtimoiy-amaliy vazifa bajarishi uchun xizmat qiluvchi kuchdir.

FOYDALANILGAN ADABIYOTLAR :

1. Бегматов Э. Нутк маданияти ва адабий норма Т., “Узбекистон”, 1973 й.
2. Бегматов Э., Бобоева А., Асомиддинова М. Адабий норма ва нутк маданияти Т., “Фан”, 1983 й.
3. Раҳматуллаев Ш. Тил курилишининг асосий бирликлари. -Т.: “Университет”, 2002.
4. Gardiner A. The Theory of Speech and Language. Oxford, 1951.
5. Н . Jamolxonov . “ Hozirgi oʻzbek adabiy tili “ Toshkent – “ Talqin” – 2005.
6. M.T. Irisqulov .” Tilshunoslikka kirish” . Toshkent .
7. R . Sayfullayeva va boshqalar . “ Hozirgi oʻzbek adabiy tili “ . Toshkent - 2009
- 8 . Z. T .Xolmanova . “ Tilshunoslikka kirish “ . Toshkent - 2007 .
9. N. Mahmudov . A. Sobirov ,Sh ,Sattorov , Sh . Toshmirzayeva , D.Mannopova . 5 – sinf “ Ona tili “darsligi Toshkent - 2020 .
10. “Ona tili “ oʻqituvchi kitobi Toshkent - 2020 .
11. www.ziyouz.com kutubxonasi.
- 12.M.Hamroyev, D.Muhamedova, D.Shodmonqulova, X.Gʻulomova, Sh. Yoʻldosheva. Ona tili. Darslik. MOLIYA-IQTISOD, Toshkent, 2021-yil.
13. S.Matchonov, H.Bakiyeva, X. Gʻulomova, Sh.Yoʻldosheva, G.Xolboyeva. Boshlangʻich sinflarda ona tili oʻqitish metodikasi. Darslik. Toshkent. – 2021-yil.
- 14.Oʻzbek tilining izohli lugʻati (5 jildli). “Oʻzbekiston” nashriyoti, T.: 2021-yi

АРХИТЕКТУРНЫЙ ПАТТЕРН MVT ИСПОЛЬЗУЕМЫЙ ФРЕЙМВОРКОМ DJANGO

Мухсинов Ш.Ш.¹, Хайруллаев З.А.²

¹ старший преподаватель «СПП», ТУИТ имени Мухаммада ал-Хоразмий

² студент факультета «ПИ», ТУИТ имени Мухаммада ал-Хоразмий

Аннотация: В данной статье рассмотрены практические аспекты применения MVT для разработки веб-приложений на фреймворке Django, его преимущества, такие как повторное использование кода, гибкость разработки и простота интеграции с различными технологиями.

Ключевые слова: веб приложение, модель, представление, шаблон, фреймворк архитектура.

Abstract: This article discusses the practical aspects of using MVT to develop web applications on the Django framework, its advantages such as code reuse, development flexibility and ease of integration with various technologies.

Key words: web application, model, view, template, framework, architecture.

Annotatsiya: Mazkur maqolada Django freymvork yordamida veb-ilovalarni ishlab chiqish uchun MVT-ni qo‘llashning amaliy jihatlari, kodni qayta ishlatish, ishlab chiqish moslashuvchanligi va turli texnologiyalar bilan integratsiya qilish qulayligi kabi afzalliklari ko‘rib chiqilgan.

Kalit so'zlar: veb-ilova, model, ko‘rinish, shablon, freymvork, arxitektura.

Введение. В современном веб-разработке архитектурные паттерны играют ключевую роль в создании масштабируемых и поддерживаемых приложений. Одним из таких паттернов, широко применяемых во фреймворке Django, является MVT (Model-View-Template). MVT представляет собой адаптацию классического паттерна MVC (Model-View-Controller) и оптимизирован для создания веб-приложений.

Понимание архитектурного паттерна MVT и его использование во фреймворке Django станет полезным для разработчиков, стремящихся повысить качество своих веб-приложений и упростить процесс их разработки и сопровождения.

Основная часть. Django - это фреймворк для создания веб-приложений с помощью языка программирования Python.

Django был создан в 2005 году, когда веб-разработчики из газеты Lawrence Journal-World стали использовать Python в качестве языка для создания веб-сайтов. А в 2008 году вышел публичный первый релиз фреймворка. На сегодняшний день он продолжает развиваться. Так, текущей версией

фреймворка на момент написания этой статьи является версия 5.0, которая вышла в декабре 2023 года. Каждый новый релиз фреймворка выходит в среднем каждые 8 месяцев. Кроме того, постоянно выходят обновления и исправления в безопасности. Django довольно популярен. Он используется на многих сайтах, в том числе таких, как Pinterest, PBS, Instagram, BitBucket, Washington Times, Mozilla и многих других.

Фреймворк является бесплатным. Он развивается как open source, его исходный код открыт, его можно найти репозитории на githubе.

Архитектурный паттерн MVT (Model-View-Template) представляет собой модификацию паттерна MVC, адаптированную для веб-разработки в фреймворке Django. Цель MVT заключается в разделении логики веб-приложения на три основных компонента: модель, представление и шаблон.

Модель: модель определяет структуру данных и управляет бизнес-логикой; модели Django взаимодействуют с базой данных через Django ORM для облегчения CRUD (создание, чтение, обновление, удаление) операций.

Представление: обрабатывает запросы пользователя и возвращает ответы; в Django представление играет роль контроллера в традиционном паттерне MVC, то есть управляет логикой, которая обрабатывает данные, отправленные и полученные пользователем.

Шаблоны: отвечают за отображение информации; шаблоны в Django используют специальный язык шаблонизации, который позволяет создавать динамические HTML-страницы, используя данные, предоставляемые представлением.

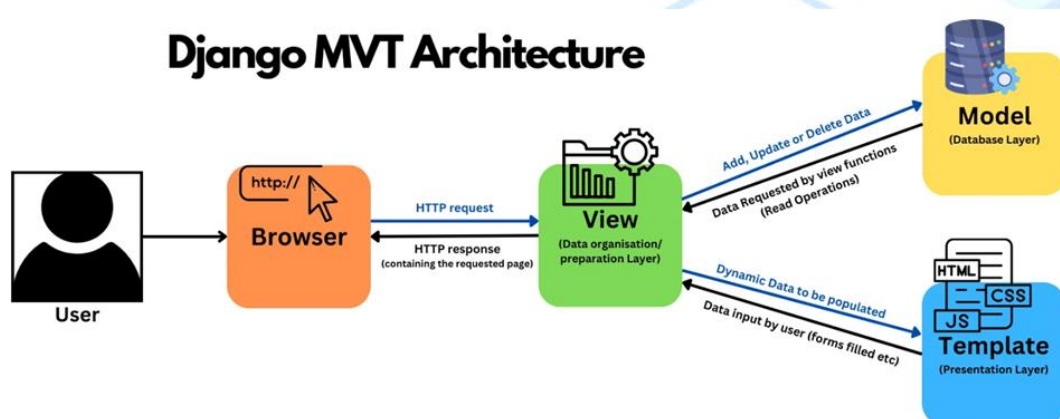


Рис. 1. Архитектура паттерна MVT

Исходя из рисунка 1 архитектуру паттерна можно разделить на следующие элементы:

- **URL dispatcher:** при получении запроса на основании запрошенного адреса URL определяет, какой ресурс должен обрабатывать данный запрос.

• **View:** получает запрос, обрабатывает его и отправляет в ответ пользователю некоторый ответ. Если для обработки запроса необходимо обращение к модели и базе данных, то View взаимодействует с ними. Для создания ответа может применять Template или шаблоны.

• **Model:** описывает данные, используемые в приложении. Отдельные классы, как правило, соответствуют таблицам в базе данных.

• **Template:** представляет логику представления в виде сгенерированной разметки html. В MVC этому компоненту соответствует View, то есть представления.

Схематично мы можем представить архитектуру MVT в Django следующим образом:

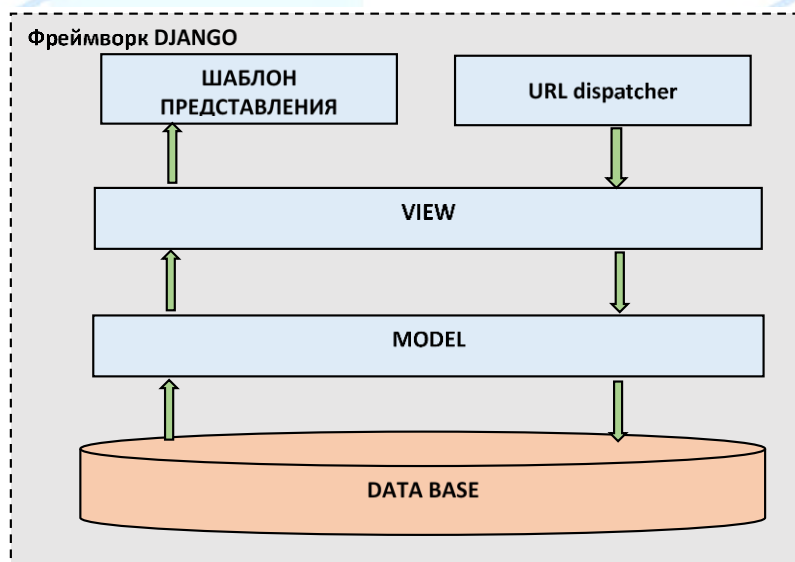


Рис. 2. Схема MVT

Применение MVT в разработке, например, онлайн-ресурса для подготовки к техническим собеседованиям, позволяет создать модели для таких сущностей, как "Вопрос" и "Ответ", обрабатывать запросы и отображать результаты через соответствующие шаблоны.

Преимущества использования MVT в проекте:

Разделение ответственности: в MVT логика обработки данных, управление данными и их отображение четко разделены, что упрощает разработку, тестирование и сопровождение приложений.

Повторное использование кода: компоненты MVT можно легко использовать повторно. Например, одна и та же модель может быть использована для различных представлений и шаблонов.

Гибкость разработки: разработчики могут работать над разными компонентами системы параллельно (например, один человек работает над моделью, другой - над представлением), что ускоряет процесс разработки.

Легкость интеграции с другими технологиями: Django поддерживает интеграцию с различными базами данных и веб-сервисами, что делает MVT особенно хорошо подходящим для современных веб-приложений.

Заключение. Выбор модели MVT для разработки веб приложений позволяет создать понятную, модульную и легко расширяемую систему, которая обеспечивает эффективное обучение пользователей.

Список использованной литературы и источников:

1. Дронов В.А. (2019) Django 2.1. Практика создания веб-сайтов на Python.
2. Bhandari, Sovit & Ranjan, Navin & Kim, Yeongchan & Park, Jong-Do & Hwang, Kwang-II & Kim, Woo-Hyuk & Hong, Youn-Sik & Kim, Hoon. (2021). An Automatic Data Completeness Check Framework for Open Government Data. Applied Sciences. 11. 9270. 10.3390/app11199270..

BOSHLANG‘ICH TA‘LIM TAHSIL MAZMUNINI RIVOJLANTIRISHDA VARIATIV YONDASHUVNING O‘RNI

Tojiyev Husniddin Baxtiyorovich

Termiz iqtisodiyot va servis universiteti

Pedagogika kafedrası o‘qituvchisi

Termiz (O‘zbekiston)

E-mail: husniddin.tojiyev@bk.ru

Tel: +998996792519

Annotatsiya: Maqolada ta‘lim tizimini yangi bosqichga olib chiqishda muhim o‘rin tutuvchi variativ o‘qitish, talabalarning axborot va bilim olish madaniyatini shakllantirish ahamiyatini yoritish, bugungi kunda global rivojlanib borayotgan giper muhit texnologiyalaridan maqsadli foydalanish borasida e‘tibor berishimiz lozim bo‘lgan tarbiya va milliy qadriyatlarimizga bo‘lgan hurmatni shakllantirish borsida amalga oshirilishi lozim bo‘lgan masalalar yoritilgan.

Kalit so‘zlar: boshlang‘ich ta‘lim, variativ o‘qitish, variatsiya, ko‘nikma, metodlar, texnologiya.

O‘tgan asrning saksoninchi yillarning oxiri va to‘qsoninchi yillarning boshlarida davlat-siyosiy va ijtimoiy-iqtisodiy o‘zgarishlar mamlakatimiz ta‘limiga sezilarli ta‘sir ko‘rsatib, u o‘z navbatida qisqa vaqt ichida hayotning tubdan yangi sharoitlariga, demokratik, fuqarolik jamiyati erkin rivojlanishiga moslashdi. Bu davr ichida ta‘lim muassasalarining xilma-xilligini ham, ta‘lim dasturlarining variativligini ham ta‘minlashga erishildi. Bu jarayonlar “Ta‘lim to‘g‘risida”gi Qonunda o‘z aksini topgan va mustahkamlangan bo‘lib, unda: umumiy o‘rta ta‘lim rivojlanishining asosiy strategik yo‘nalishi uni o‘zgargan ijtimoiy-iqtisodiy sharoitlarga moslashtirishdan iborat deb aytilgan. Ushbu yo‘nalishni amalga oshirishning zaruriy shartlari quyidagilardan: ta‘lim jarayonini shaxsga yo‘naltirish va individuallashtirish; ta‘lim muassasalarining xilma-xilligi va ta‘lim dasturlarining variativligi; innovatsion faoliyatni samarali qo‘llab-quvvatlashdan iborat. O‘tgan asrning oxirlaridan boshlab milliy ta‘lim tizimida demokratlashtirish jarayonlari rivojlana boshladi, ta‘lim variativligi paydo bo‘ldi, innovatsion harakatlar vujudga keldi. Ular, birinchi navbatda, ta‘lim tizimining kuchli fuqarolik jamiyatining erkin rivojlanishi va bozor iqtisodiyotining tubdan yangi sharoitlariga moslashish tezligi bilan belgilandi. Bu jarayonlar ham “Ta‘lim to‘g‘risida”gi qonunda o‘zining meyoriy-huquqiy mazmunini topdi.

XXI asr boshlariga kelib, mamlakatimiz ta‘lim sohasida sezilarli sifat siljishlar ro‘y berdi, xususan: ta‘lim muassasalarining avvalgi bir xilligi o‘rniga ularning

turlarining xilma-xilligi keldi; yagonalashtirilgan o'quv dasturlari o'rnini zamonga moslashtirilgan ta'lim dasturlari egallay boshladi.

Zamonaviy bosqichda ta'limning yo'nalishlari faqat ma'lum miqdordagi bilimlarni o'zlashtirishga emas, balki shaxsni, bilish va ijodiy qobiliyatlarni rivojlantirishga yo'naltirilgan.

Umumiy o'rta ta'limning yangi, zamonaviy sifatiga erishish shartlaridan biri bo'lib ta'lim muassasalarining xilma-xilligi va ta'lim dasturlarining hozirgi zamonga moslashtirish asosida davlat ta'lim standartlarini ta'minlashda shaxsga yo'naltirilganlik, ta'limni tabaqalashtirish va individuallashtirish hisoblanadi (89). "Ta'lim inqirozining sababi maktablar darajasida emas, balki o'zimizda. Biz qurgan jamiyat bizga o'zimiz munosib bo'lgan ta'lim bermoqda" (226; 2-3 b.).

Bir necha o'n yillar davomida milliy pedagogika fani va amaliyoti faqat shaxsni shakllantirishning yagona mafkuraviy tasdiqlangan konsepsiyasi doirasida rivojlana olgan. Bunday monologiklik va konvergentlik pedagogik jarayonning rivojlanish imkoniyatlarini nafaqat cheklagan, balki to'xtab qolish holatlariga ham olib keldi, o'qituvchining jamiyat ongidagi mavqeini pasaytirdi.

"Yangi pedagogika barcha bolalar uchun yagona shablon va yagona dasturni talab qilmaydi. U bolalarning qobiliyatlari har xilligi, ularning rivojlanishga intilishlari ham bir xil emasligi holatidan kelib chiqadi.... Shuni hisobga olib, yangi pedagogika maktab ta'limining yetarlicha moslashuvchan bo'lishini talab qiladi, zero shunda u har bir o'quvchining sog'lom, yaqqol ifodalangan individual xususiyatlari uchun erkinlik yaratib beradi" (9, 520-521-betlar). Boshlang'ich ta'limning rivojlanishi uchun variativ yondashuvdan foydalanish zarurat ekanligi nafaqat taklif etilayotgan ta'lim dasturlari mazmunida, balki pedagogik jarayonni tashkil etish shakllarida, ta'lim muassasalari turlarining keng doirasida ham aniq kuzatiladi. Bu "ota-onalarga, o'quvchilarga va o'qituvchilarga olinadigan ta'limni tanlash va bu tanlov uchun mas'uliyatni o'z zimmlariga olish imkoniyatini beradi" (54, 34-36-betlar). Ta'kidlash kerakki, G'arbda, xususan, AQShda o'tgan asrning yetmishinchi yillaridan boshlab muqobil maktablar yoki qo'shimcha ta'lim dasturlarini tanlash amaliyoti kiritilgan. Ushbu sohadagi tadqiqotlar shuni isbotladiki, agar pedagogik jarayon subyektlariga muqobillar yoki tanlovlar qatori berilganda ta'lim sifati yaxshilanadi. Masalan, Minneapolisdagi Janubi-Sharqiy muqobil ta'lim dasturi ota-onalar, bolalar va o'qituvchilarga maktab turini, ta'lim tizimidagi fan sohalarini va shu kabilarni tanlash imkoniyatini taklif qiladi (225; 21-bet).

Izohli lug'atlarda "variatsiyalash" so'zi mavjud shartlar yoki qoidalarga nisbatan qo'llaniladigan o'zgarish, qayta ko'rib chiqish sifatida qaraladi. Binobarin, har qanday hodisa, sifatlar yig'indisi, jarayonning holatlari har qanday varianti – haqiqatan ham uning paydo bo'lgan sharoitlarga o'ziga xos "moslashishi"dir. Shartlar yoki qoidalar o'zgarsa – boshqa qadamlar paydo bo'ladi. Ularning har biri – aytib o'tilgan

hodisalarning ma'lum bir varianti bo'lib, ta'lim va hayotda harakatning xarakterli, o'ziga xos, barqaror belgilariga ega. Sifat belgilari doimiy, ularning birikmasi va namoyon bo'lishi esa o'zgaruvchan bo'lishligi ta'lim sohasida faoliyat yurituvchilar uchun aniq ravshan. Ma'lum bir faoliyatning "shartlari va qoidalari" muayyan birikmalari soni qancha ko'p bo'lsa, uning variantlariga bo'lgan ehtiyoj shunchalik katta bo'ladi. "Variantlar soni qanchalik kichik, cheklangan, monoton bo'lsa, ular paydo bo'ladigan, o'zgaruvchan sharoitlarga shunchalik kamroq mos keladi, jarayon shunchalik qiyinlashadi, binobarin, faoliyat samaradorligi past bo'ladi" (40).

Shunday qilib, variativ yondashuv boshlang'ich ta'limdagi ta'lim holatini o'zgartirishning dolzarb jarayoni bo'lib hisoblanadi. Bu yerda "variativlik" tushunchasining turli ma'nolari (asos soluvchi holat – tamoyil sifatida; turli xil ko'rinishlar soni sifatida; ta'sir va o'zaro ta'sir jarayoni sifatida; individuallikni rivojlantirish sharti sifatida va shu kabilar) aniqlangan. Zamonaviy boshlang'ich ta'limda ta'lim mazmunini rivojlantirishning yetakchi tendensiyasi sifatida variativ yondashuvning xususiyatlari (modellar, tizimlar, dasturlar, o'qituvchi faoliyatini baholash shakllari, darsliklar mazmuni, ta'lim tizimidagi ta'lim yo'nalishlarining variativligi) ajratib ko'rsatilgan. Fanlarning to'plami sifatida tushuniladigan variativ yondashuv boshlang'ich ta'limda ko'p fanlilikni kiritdi, bu esa maktabga qabul qilinadigan bolalarga qo'yiladigan talablarning noo'rin ortishiga, ta'lim sifatining pasayishiga, bolalarning ortiqcha yuklanishiga olib keldi. Shu bilan birga, pedagogik kadrlarni tayyorlash tizimida hali-hanuz boshlang'ich ta'limda variativ yondashuvining rivojlanishiga xos bo'lgan obyektiv tendensiyalar yetarli darajada hisobga olinmaydi. Shu sababli bo'lajak boshlang'ich sinf o'qituvchilarini oliy ta'lim muassasalarida tayyorlash bosqichida ularni tayyorlashni o'zgartirish zarurati paydo bo'ladi.

FOYDALANILGAN ADABIYOTLAR RO'YXATI

1. Baxtiyorovich, T. H. (2023). BOSHLANG 'ICH SINFI O'QUVCHILARIDA AXBOROTLARNI TIZIMLI TARKIBLASHTIRISH KO'NIMALARINI SHAKLLANTIRISHDA DIDAKTIK YONDASHUVLARNING AHAMIYATI. *Journal of Universal Science Research*, 1(10), 153-159.
2. Tojiyev, H. (2023). FORMING THE ABILITY TO STRUCTURE INFORMATION TECHNOLOGY. *Conferencea*, 105-113.
3. Baxtiyorovich, H. T. (2022). O'QUVCHILARDA AXBOROTLARNI TIZIMLI TARKIBLASHTIRISH TEXNOLOGIYASINING ZAMONAVIY USULLARI VA TAMOYILLARI. *Conferencea*, 139-147.
4. Zokirov, J., & Matluba, T. (2022). ALISHER NAVOIY HAYOTI VA IJODINI O'RGANISHDA MATN USTIDA ISHLASH USULLARI. *TA'LIM VA RIVOJLANISH TAHLILI ONLAYN ILMIY JURNALI*, 2(4), 218-223.

5. Javohir G'aybullo o'g, Z. (2024). Using Mother Language Science in Developing the Creative Activity of Primary Class Students. *American Journal of Language, Literacy and Learning in STEM Education* (2993-2769), 2(2), 432-434.
6. Javohir G'aybullo o'g, Z. (2024). Using Mother Language Science in Developing the Creative Activity of Primary Class Students. *American Journal of Language, Literacy and Learning in STEM Education* (2993-2769), 2(2), 432-434.
7. Javohir G'aybullo o'g, Z. (2023). Boshlang'ich Sinf Ona Tili Va OQish Savodxonligi O'rgatish Usullari. *Journal of Innovation, Creativity and Art*, 2(2), 164-168.
8. Qizi, T. M. K. (2023). ОСОБЕННОСТИ ФОРМИРОВАНИЯ ЭСТЕТИЧЕСКОГО ВОСПИТАНИЯ ДЕТЕЙ. *ТА'ЛИМ VA RIVOJLANISH TAHLILI ONLAYN ILMIY JURNALI*, 3(1), 56-60.
9. Baxtiyorovich, T. H. (2021). Ways to Organize Extracurricular Activities in Mathematics and Teaching Methodology. *International Journal of Human Computing Studies*, 3(10), 7-9.
10. Rahmat ogli, B. K. (2023). Bo'lajak boshlang'ich sinf o'qituvchisining didaktik-metodik kompetentligi xususiyatlari. *Journal of Universal Science Research*, 1(10), 160-165.
11. Kamoliddin, B., & Kholiqovna, K. N. (2023). A CONCEPTUAL APPROACH TO THE DEVELOPMENT OF THE DIDACTIC-METHODICAL COMPETENCE OF THE FUTURE PRIMARY SCHOOL TEACHER. *World Bulletin of Social Sciences*, 21, 160-164.
12. Badalov, K. (2023). DEVELOPING THE CREATIVITY OF A PRIMARY CLASS TEACHER. *Open Access Repository*, 4(02), 141-148.
13. Kamoliddin, B. (2023, January). BOSHLANGICH SINFLARDA GEOMETRIK MATERIALLARNI ORGANISH MANTIQIY KONIKMALARNI SHAKLLANTIRISHNING NAZARIY ASOSLARI. In *E Conference Zone* (pp. 35-39).
14. Badalov, K., & Xolmurodova, N. (2022). BO'LAJAK BOSHLANG 'ICH SINFLARDA O'QITUVCHILARINI DIDAKTIK-METODIK KOMPETENT-LIGINI RIVOJLANTIRISH. *Conferencea*, 63-66.
15. BADALOV, K. (2022, April). TOOLS FOR HELPING TO DEVELOP THE LOGICAL SKILLS OF PRIMARY SCHOOL STUDENTS IN THE TEACHING OF GEOMETRIC MATERIALS. In *E Conference Zone* (pp. 214-217).

ВИДЫ И ПРЕИМУЩЕСТВА ВНЕУЧЕБНОЙ МЕРОПРИЯТИЙ

Бекбўтаев Бекназар Бекмурадович

Денов предпринимательство и педагогика

аспирант 2 ступени института

Аннотация: в статье начать речь в образовании из класса кроме вещи организовать в достижении методы, педагогические в ходе выполнения интеграции место и важность о рассказывать прошедший.

Ключ слова: из класса кроме чтение, чтение, искусство ночи, олимпиада, утро, креатив активность, интегративность подход, принцип, социализация, интеграция.

Текущий в то время молодых людей Хорошее качество образование брать и новый Национальный изучать в программу переход отношение с учебники и из класса кроме дела тоже улучшаются. Из класса кроме обучение через студенты сами себя заинтересованный обучение с заниматься возможность создавая дается. Такой обучение изучать процесса незаменимый один кусок и из студентов из класса кроме пустой раз эффективный организовать достигать из форм это один Сегодняшний в день из класса кроме дела значит, самый в первую очередь студенты из класса пустой время значимый перевести был необходимость удовлетворить их сам сам анализ делать и сами себя для необходимый был к деятельности был необходимость удовлетворить для того, чтобы из класса кроме организовать нужно сделать обучение понятно. Начальный в классах из класса кроме вещи основной цель - у студентов науке интерес развитие в классе полученный знание наполнитель и углубление математик знания, умение и квалификация от формирования состоит из

Начальный в классах из математики » Из класса кроме когда это называется « работа ». из студентов учитель под руководством из класса кроме в то время организовать сделал, программа с зависит от на основе материала добровольность принцип на основе обучение понятно.

Из класса кроме вещи два тип дифференцировать может Его первый тип в плане материалы в освоении позади оставаться дети с работа понял, второй тип пока математика учить заинтересованный дети с держал обучение входит

Из класса кроме обучения следующее в направлениях брать идет в:

- ✓ о ммологические дела; (конкурсы, обзор конкурсы, вечеринки, утренники, экскурсии и т.д.);
- ✓ кружковые работы (все научные кружки);
- ✓ работа с одаренными и слабоуспевающими учениками

Из класса кроме работы первый направление общественный работать остановка сносно если мы студент молодых людей коллектив солидарность в повышении очень большой это важно. Такой конкурсы, вечеринки, конкурсы сорт студенты команды держаться вместе, друг друга понять, хар ВОЗ в команде сам как ловить получить улучшить направленный будет Из этого кроме из студентов оральный речь формирование большой вклад добавляет из студентов в себе показать свой талант делать помощь дам.

Из класса кроме работы следующий направление круги о кто пишет если мы круг из класса кроме работы большинство полезный скажем так будет, в Круги студента сам желая приходящий и участие для круг обучение Хорошее качество организовать будет сделано. Студент сам любил наука в соответствии с в круг участие из-за круг на тренировке для класса относительно более активный участие достаточно Другой позитивный с боков один почти участников все они вот и все на поле заинтересованный Прибытие для на тренировке интерес с, активный участвует, хар один участие студент безразличный не останусь Научные кружки в неделю два с часов организовать будет сделано этот пока студент скучающий нет, наоборот участник сколько? время жду остального читает

Следующий направление талантливый и младшие студенты с работать Такой дела из класса кроме без брать Пойду Талантливый с работоспособный на обучение каждый один из класса талантливый студенты Привлечение будет сделано. Талантливый студенты с работают, они для сверстникам относительно трудность уровень выше упражнения, задания на дела брать Пойду и в будущем вот и все студенты нуждаться научные конкурсы, олимпиады отмеченный наградами сиденья они получают Талантливый студенты с если это не сработает их в науку, в класс был интересы потерянный идет, в результате ленивый существование они остаются потому что они есть урок в процессе задания быстро сделанный будет и пустой остальные из-за их лень или слабость наблюдаемый идет

Низкая поглощающая способность студенты с работоспособный на тренировке в классах урок обучение в освоении страдать студенты выбирать взят. Низкая поглощающая способность студенты с работы преимущество От этого состоит из таких на тренировке простой элементов начиная с концепции предоставление Пойду Учитель такой на тренировке каждый один элементарный концепт отличная работа доставлять движение делает Низкие поглотители с работы снова Одно преимущество учитель с студент для класса относительно такой на тренировке работает более индивидуально. Студенты пока собственный равно взросление получить для необходимый обучение Считается Быстрый

между такой на тренировке присутствовал студенты собственный равно приехал они получают

Краткое содержание при выполнении сказать если я из класса кроме обучение Хорошее качество образования большинство важный часть Считается Хар один из класса кроме обучение организовать в достижении инновационный от технологий использовал без организовать если сделано из студентов присвоение уровень хороший будет Сегодняшний в день из класса кроме работать в отдельности внимание это тоже бессмысленно это не. Учитель из класса кроме обучение Хорошее качество организовать только когда намеревался к цели каждый на двусторонней основе полный и эффективный сделанный увеличивать возможность иметь будет Этого для от учителя неустанно работа и необходимый уровень знание быть нуждаться этого для более книга чтение Это необходимо

СПИСОК ЛИТЕРАТУРЫ.

1. Qorayev S.B., Allayorova S.B. “Boshlang‘ich sinf o‘quvchilarini pirls xalqaro baholash dasturi tizimiga tayyorlash jarayonini takomillashtirish masalalari”. *Academic research in educational sciences*, 2(2).
2. Zokirov, J., & Matluba, T. (2022). ALISHER NAVOIY HAYOTI VA IJODINI O‘RGANISHDA MATN USTIDA ISHLASH USULLARI. *TA'LIM VA RIVOJLANISH TAHLILI ONLAYN ILMIY JURNALI*, 2(4), 218-223.
3. Javohir G‘aybullo o‘g, Z. (2024). Using Mother Language Science in Developing the Creative Activity of Primary Class Students. *American Journal of Language, Literacy and Learning in STEM Education (2993-2769)*, 2(2), 432-434.
4. Javohir G‘aybullo o‘g, Z. (2024). Using Mother Language Science in Developing the Creative Activity of Primary Class Students. *American Journal of Language, Literacy and Learning in STEM Education (2993-2769)*, 2(2), 432-434.
5. Javohir G‘aybullo o‘g, Z. (2023). Boshlang‘ich Sinf Ona Tili Va OQish Savodxonligi O‘rgatish Usullari. *Journal of Innovation, Creativity and Art*, 2(2), 164-168.
6. Qizi, T. M. K. (2023). ОСОБЕННОСТИ ФОРМИРОВАНИЯ ЭСТЕТИЧЕСКОГО ВОСПИТАНИЯ ДЕТЕЙ. *TA'LIM VA RIVOJLANISH TAHLILI ONLAYN ILMIY JURNALI*, 3(1), 56-60.

МАКТАБ О'QITUVCHILARINING KASBIY MADANIYATINI RIVOJLANTIRISH IJTIMOIIY XUSUSIYATLARI

Jumayeva Gulnara Tursunpulatovna

*Termiz iqtisodiyot va servis universiteti "Pedagogika"
kafedrasida dotsent vazifasini bajaruvchi, pedagogika fanlari falsafa
doktori (PhD) Termiz (O'zbekiston)*

E-mail: gulnorajumayeva117@gmail.com., tel.: 91-339-63-32

Annotatsiya: Ushbu maqolada o'qituvchilarning kasbiy madaniyatini rivojlantirish muammosining dolzarbligi va nazariy asoslari, maktab o'qituvchilarining kasbiy madaniyatini rivojlantirish jarayoni, o'z-o'zini nazorat qilish, o'zini o'zi qadrlash, reflektiv va ijodiy fikrlash, qiymat-gnoseologik va faoliyat-ijodiy tahlil qilinadi. tuzilmalar, tarkibiy qismlarning mazmuni ta'kidlangan. Maqolada, shuningdek, maktab o'qituvchilarining kasbiy madaniyatini rivojlantirishning psixologik-pedagogik xususiyatlari va tarkibiy qismlari ko'rsatilgan.

Kalit so'z: kasbiy madaniyat, kasbiy faoliyat, aks ettirish, o'z-o'zini nazorat qilish, o'z-o'zini baholash, psixologik, pedagogik.

Mamlakatimizda ijtimoiy-iqtisodiy sohani modernizatsiya qilish uchun yuqori malakali kadrlar tayyorlash sifatini oshirish, inson kapitalini mehnat bozori talablari asosida rivojlantirish, ta'lim jarayoniga raqamli texnologiyalar va zamonaviy o'qitish usullarini joriy etish, xalqaro standart asosida yuqori malakali, "kreativ fikrlaydigan, mustaqil qaror qabul qila oladigan kadrlar tayyorlash, ularning intellektual qobiliyatlarini namoyon etishi va ma'naviy barkamol shaxs sifatida shakllanishi uchun zarur shart-sharoitlarni yaratish asosiy strategik vazifalar" sifatida belgilangan. Bu esa, oliy ma'lumotli mutaxassislar tayyorlash sifatini oshirishga xizmat qiluvchi mexanizmlarni takomillashtirishni taqozo etadi.

Kasbiy madaniyat, pedagog xodimlarning bilimini, kasbiy va axloqiy madaniyatini oshirib borish muammosi Vatanimiz va qator xorijlik olimlar tomonidan tadqiq etilgan.

Maktab o'qituvchilarining kasbiy madaniyatini rivojlantirish haqida gap ketganda, eng avvalo, "madaniyat" tushunchasining mohiyatini aniqlab olish zarur.

Madaniyat tushunchasi Sharq allomalarining adabiy meroslarida hamda pedagog-psixolog olimlar tomonidan quyidagicha talqin qilingan: "Madaniyat" so'zi zamonaviy nutqda juda keng qo'llaniladi. "Madaniyat" so'zi lotincha "cultural" so'zidan kelib chiqqan bo'lib, "tarbiyalash, o'stirish, rivojlanish, e'zozlash" degan ma'noni anglatadi.

Kasbiy madaniyatga oid qarashlar qadimgi qo'lyozmalarda, diniy va didaktik manbalarda o'z aksini topgan. Jumladan, "Avesto"da kasb-hunarga hurmat, kasbga sadoqat, mehnatsevarlik, xushmuomalalikka undovchi hikmatlar, Islom dini ta'limotida mehnat qilish va uning ortidan topilgan boyliklardan zakot berilishi, har bir musulmon kishi o'z kasbining orqasidan halol yo'l bilan rizq topishi kerakligi haqidagi o'gitlar odamlarda kasbiy madaniyat rivoji odob-axloq qoidalariga bog'liq ekanligi asoslangan.

Buyuk allomalardan Abdurahmon Jomiy o'z asarlarida tarbiyachi muallim faoliyatiga quyidagicha ta'rif beradi: "muallim bilimli, aqlli, adolatli, o'zida butun yuksak fazilatlarni mujassamlashtirgan bo'lishi lozim. O'zini nomunosib tutgan odam hech vaqt o'quvchilarga bilim va odob bera olmaydi".

Ta'lim-tarbiya birligi va axloq masalalariga yetuk tarbiyashunos olim sifatida yondashgan olim Abu Rayhon Beruniy o'zining pedagogika va psixologiyaga oid qimmatli fikr-mulohazalarini va ma'rifiy-didaktik qarashlarini bayon etib, ilm hamda ma'rifat sari intiluvchi tolib va muallimlarga deydiki: "Ilm dargohiga kirar ekansan, qalbing kishini ozdiruvchi illatlardan, odamni ko'r qilib qo'yadigan nafs va turli buzg'unchi holatlardan, qotib qolgan turli eski urf-odatlardan, hirsdan, raqobatdan, ochko'zlikni quli bo'lishdan ozod bo'lmog'i darkor". Alisher Navoiy yosh avlod tarbiyasini har qanday tasodifiy murabbiyga ishonib topshirib bo'lmasligini aytib, o'qituvchi shaxsiga nisbatan yuksak talablarni qo'yadi. Navoiy o'zining "Mahbub-ul qulub" asarida ta'limiy-tarbiyaviy fikrlari hamda o'qituvchi shaxsi, uning ma'naviyatiga doir qarashlarini keltirib o'tadi. Navoiyning fikricha: "O'qituvchi faqatgina dars beruvchi, bilim beruvchi emas, balki mahoratli tarbiyachi bo'lishi lozim. Muallim nodonlikdan, mutaasiblikdan, johillikdan yiroq bo'lishi, haqiqiy muallim olimlar orasida eng sara "malak qi'yofali" kishi bo'lishi, ya'ni sof ko'ngilli, pok qalbli, insofli, karam-muruvvatli, odobli, vafoli, kishilikning eng yaxshi va oliyanob hislatlarini o'zida aks ettiruvchi bo'lishi kerak".

Kasbiy bilimlar o'qituvchi kasbiy madaniyatini rivojlantirishda asosiy hisoblanadi. O'qituvchining bilimi, bir tomondan, o'zi o'qitadigan fanga, ikkinchi tomondan, talabalarga qaratiladi. Kasbiy bilimlar mazmunini o'quv fani hamda uni o'qitish metodikasi, psixologik va pedagogik jihatdan tashkil qilinadi. Kasbiy pedagogik bilimlarning o'ziga xos jihatiuning majmuaviyligi hamda integrativligidan iborat. Kasbiy bilimlar asosida o'qituvchining harakatlari, odatlari, o'z faoliyatiga asoslangan qonuniyatlari va tamoyillarini belgilab beruvchi pedagogik tafakkuri shakllanadi.

Maktab o'qituvchisining kasbiy-shaxsiy jihatdan o'z mavqeiini o'zi belgilashi, o'z-o'zini tarbiyalash, o'z-o'zini takomillashtirish, o'z-o'zini rivojlantirish va "o'z-o'zini mukammal darajadagi mutaxassis" sifatida uning mohiyati va ahamiyatini anglash, pedagogik mahoratning serqirra usullarini egallash muhim vazifasi ekanligiga

alohida e'tibor berilgan. Bu o'qituvchilarning kasbiy madaniyatini oshirib borishdagi murakkab va og'ir yo'ldagi birinchi, lekin oxirgi qadam emas. U o'qituvchining o'z-o'zini tarbiyalashi, o'z-o'zini mukammallashtirishi va o'z-o'zini rivojlantirishiga asos bo'ladi.

Maktab o'qituvchilarining kasbiy madaniyatini rivojlantirishga qaratilgan maxsus pedagogik- ularning birinchisida o'qituvchilarni kasbiy professiogramma bilan tanishtirish, keyingi ikkitasida kasbiy madaniyat mazmuni bilan bog'liq muhim pedagogik-psixologik xislatlar va jarayonlarni rivojlantirish ishlarini amalga oshirish ko'zda tutilgan. Mashg'ulotlar kichik 12-15 kishilik guruhlarda o'tkazilishi tavsiya qilinadi.

Maktab o'qituvchilarining kasbiy madaniyatini rivojlantirishda "kasbiy madaniyat" va "kasbiy madaniyatni rivojlantirish" tushunchalariga mualliflik nuqtai nazaridan quyidagicha ta'riflar keltirildi: "Kasbiy madaniyat – bu mutaxassisning kasbiy o'z-o'zini aniqlash, kasbiy motivatsiya, kasbiy yo'nalganlik, kasbiy tajriba va mahoratning yuqori darajada rivojlanganligini belgilab, mustaqillik, erkinlik, ijodiy faollik, qabul qilinayotgan qarorga nisbatan mas'uliyat, o'quvchilarga nisbatan hurmat ko'rsatish hamda samarali pedagogik faoliyatni tashkil etish uchun zarur axloqiy sifat va fazilatlar bilan bog'langan".

Kasbiy madaniyatni rivojlantirish – pedagogik faoliyat rivojining muhim tavsifini o'zida ifoda etib, ta'lim jarayonida pedagogik yondashuv, strategik maqsad va vazifalarni to'g'ri belgilash, qarorlar qabul qilish, ta'lim jarayonini loyihalashtirish, innovatsion pedagogik faoliyatni tashkil etish, ta'limni boshqarish hamda boshqaruv usullari, metodlari va tamoyillaridan samarali foydalanish orqali shaxs faolligini oshirish, o'z – o'zini namoyon etish imkoniyatini kengaytirish, jamiyat talablariga muvofiq faol harakatlanish va samarali muloqot ko'nikmalarini o'zlashtirish, egallagan bilim, ko'nikma va malakalarini amaliyotga tadbiiq eta olish qobiliyatidir.

Kasbiy madaniyatni rivojlantirish jarayoni insondagi motivlar bilan bevosita bog'liq bo'lib, uning mohiyati - inson xulq-atvorining ichki barqarorligi, harakatga undovchi tushunchada ifodalanadi. Motivatsiya esa "xulq-atvorni psixologik va fiziologik boshqarishning dinamik jarayoni" bo'lib, unga tashabbus, yo'nalganlik, tashkilotchilik, qo'llab-quvvatlash kiradi.

Maktab o'qituvchilarining kasbiy madaniyatini rivojlantirish bilan bog'liqlikda motivlar birinchidan, kasbiy muvaffaqiyatga undasa, ikkinchidan, maqsadga erishish uchun zarur yo'l va usullar tanlashga yordam beradi. Kasbiy madaniyatni rivojlantirish xususiyatlari bilan bog'liqligini inobatga olgan holda maktab o'qituvchilarining ham kasbiy motivlari turli yosh davrlarida turlicha bo'ladi.

Foydalanilgan adabiyotlar:

1. O'zbekiston Respublikasi Prezidentining "O'zbekiston Respublikasi oliy ta'lim tizimini 2030 yilgacha rivojlantirish kontsepsiyasini tasdiqlash to'g'risida"gi PF-5847-son Farmoni // Qonun hujjatlari ma'lumotlari milliy bazasi, 08.10.2019 y.
2. Abu Rayhon Beruniy. 100 hikmat (Ibratli so'zlar). Toshkent: Fan, 1993. – 248 b.
3. Alisher Navoiy. Mahbub-ul qulub. Asarlar. 15-tom. – Toshkent: Fan, 2005. – 244 b.
4. Jumayeva G. T. PSYCHOLOGICAL-PEDAGOGICAL CHARACTERISTICS AND STRUCTURAL COMPONENTS OF THE DEVELOPMENT OF PROFESSIONAL CULTURE AMONG SCHOOL TEACHERS WEB OF SCIENTIST: INTERNATIONAL SCIENTIFIC RESEARCH JOURNAL 213-222 p. ISSN: 2776-0979, Volume 4, Issue 5, May, 2023. <https://wos.academiascience.org/index.php/wos/article/view/3931>
5. Jumayeva G.T. Maktab o'qituvchilarida kasbiy madaniyatni rivojlantirishning pedagogik tizimini takomillashtirish: Pedagogika fanlari bo'yicha falsafa doktori (PhD) dissertatsiyasi. – Termiz., 2022. – 30 b.
6. J.G. Tursunpulatovna. [Psychological-pedagogical characteristics and Structural components of the development of Professional culture among school teachers](#) Academia Science Repository 4 (5), 2023.P. 213-222
7. Jumayeva G. Modern Approach to Teaching Pedagogical Skills of Teachers //International Journal on Integrated Education. – T. 4. – №. 9. – С. 195-197.
8. Жумаева Г. Т. Современные технологии обучения учащихся //Евразийский научный журнал. – 2016. – №. 6. – С. 456-458.
9. Жумаева Г. Т. ФОРМИРОВАНИЕ ПРАВОВОГО ОБРАЗОВАНИЯ В НАЧАЛЬНОЙ ШКОЛЕ //НАУЧНЫЕ ДОСТИЖЕНИЯ И ОТКРЫТИЯ 2019. – 2019. – С. 188-190.
10. Жумаева Г. Т. Основные тенденции развития педагогического мастерства учителя //Педагогическое образование и наука. – 2019. – №. 5. – С. 9-11.

ФОРМИРОВАНИЕ ЛОГИЧЕСКОЙ КОМПЕТЕНТНОСТИ В ПРОЦЕССЕ ОБУЧЕНИЯ МАТЕМАТИКЕ

Хамдамова Дилафруз

*Кашкадарьинская область, Общеобразовательная школа
№2 Китабского района Учитель по математике*

Аннотация: В данной статье рассматриваются критерии формирования логической компетентности учащихся и дидактические условия ее формирования в процессе обучения математике.

Ключевые слова: компетентность, интеллектуальная, логика, методология, дидактика, педагогико-психологическая.

Традиционный подход к освоению системы общего образования не отвечает требованиям современной социальной системы, которая требует воспитания самостоятельных, активных и ответственных членов общества, участвующих в решении социальных, производственных и экономических проблем. Сотрудничать. Знания и навыки как результаты образования необходимы, но недостаточны для успеха в информационном обществе. Сегодня усиление самостоятельной активности школьников, развитие их личностных качеств и творческих способностей, умения самостоятельно приобретать новые знания в быстро меняющемся мире, умения применять полученные знания для решения жизненных задач становится объективной необходимостью. упражнение. Школа должна не только восстановить интеллектуальный потенциал страны, но и создать условия для формирования человека, способного свободно и критически мыслить, понимать и развивать свои способности, найти свое место в жизни и реализовать себя.

Компетентностный подход актуализирует общие и специальные умения, которые непосредственно необходимы в жизни и дальнейшей профессиональной подготовке выпускников школ, направлен на обновление цели и содержания общего образования, усиление его учебно-практической и практической направленности. Компетентностный подход фокусируется на формировании у учащихся не только знаний и навыков, но также опыта и ценностей. Оно включает в себя формирование базовых компетенций обучающихся. Сегодня развитое логическое мышление рассматривается не как важнейшее условие успехов школьника в учебе, а как основа формирования его мотивационной активности, умения решать проблемы, возникающие в реальной жизни, умения оценивать свою деятельность. . Роль логического мышления, являющегося важнейшим элементом его структуры, очень важна в формировании ценностной

ориентации человека, что обеспечивает его устойчивость, непрерывность определенного поведения и деятельности, регулирует мотивацию человека и важнейший элемент его структуры.

Анализ опыта работы учителей математики показал, что у учащихся общеобразовательных школ не развивается логическая грамотность и логическое мышление, необходимые для достижения нового качества логической подготовки в условиях компетентного подхода.

Чтобы развивать логическое мышление с помощью математики, необходимо знать определенные понятия и законы логики. Гипотеза исследования: Если в процессе обучения математике учащихся общеобразовательной школы используется специальный метод, в котором все методы соответствуют целям математической подготовки и структуре логической компетентности учащихся, то учебная деятельность направлена ребенку как предмет изучения будет совершенствоваться, если оно будет направлено на верховую езду, то это будет способствовать формированию логической компетентности его учеников, в частности:

- логическая грамотность, то есть наличие определенного набора понятий и законов, составляющих необходимую основу для развития логического мышления;

- формирование логической грамотности, навыков логического мышления в учебной деятельности и жизни;

- ценностно-личностное отношение к логической грамотности и основанное на ней опыту собственной учебной и внеклассной деятельности.

Для достижения цели исследования и в соответствии с гипотезой исследования необходимо решить следующие задачи:

1. Определить теоретические и практические условия формирования логической компетентности учащихся в процессе обучения математике.

2. Определение содержания логической компетентности студентов как компонента естественнонаучных и естественнонаучных компетенций.

3. Разработать критерии формирования логической компетентности учащихся и определить дидактические условия ее эффективного формирования.

4. Необходимо разработать методику формирования логической компетентности учащихся в процессе обучения математике и проверить ее эффективность в экспериментальной работе.

При решении задач целесообразно использовать следующие методы исследования;

- анализ психолого-педагогической, методической литературы, школьных стандартов, программ по математике и учебников по теме исследования;

- Совершенствование методики формирования логической компетентности в процессе обучения математике у студентов с коррекцией на основе практических выводов;

- анализ производительности; педагогические наблюдения, анкетирование, интервью со студентами и учителями математики;

- педагогический опыт и обработка его результатов методами математической статистики.

Определяются предмет и цели исследования, выдвигается гипотеза и разрабатывается программа педагогического эксперимента. Определены дидактические условия формирования логической компетентности; Подведение итогов и систематизация результатов первого этапа исследования. На основе данных психолого-педагогической науки разработана методика формирования логической компетентности в процессе обучения студентов математике, включающая цель, содержание, методы и организационные формы обучения.

Критерии сформированности логической компетентности были разработаны как критерии сформированности каждого компонента структуры логической компетентности. Определены психолого-педагогические методы диагностики формирования каждого компонента логической компетентности у студентов для контроля эффективности использования специальных приемов в экспериментальной работе.

Теоретическая значимость исследования заключается в том, что разработаны структура логической компетентности учащихся и критерии ее формирования, а также определены дидактические условия формирования логической компетентности учащихся в процессе обучения математике. другие возрастные группы, а также другие предметные навыки при преподавании математики учащимся.

Педагогическая деятельность формировалась на основе реализации методики формирования компетентностей.

Для формирования логической компетентности учащихся в процессе обучения математике необходимо создать следующие дидактические условия:

а) введение в содержание математики элементов формальной и математической логики, необходимых для развития логического мышления;

б) уточнение целей учебной деятельности учащихся в процессе обучения математике, направление их на развитие личностных качеств ребенка в этом процессе;

в) включение в деятельность, формирование внутренних мотивов учебной деятельности, создание проблемных учебных ситуаций в деятельности учащихся; формирование опыта студентов в своей деятельности;

г) необходимо использовать специальные методы и формы обучения, которые помогают учащимся сформировать ценностное отношение к логической грамотности и основанному на ней опыту собственной деятельности.

В процессе обучения математике необходимо использовать специальные приемы, разработанные на основе следующих принципов, для реализации дидактических условий, помогающих учащимся формировать свою логическую компетентность:

- а) Соответствие математической подготовки студентов;
- б) соответствие составу логических способностей обучающихся;
- в) Удобства, созданные для студентов;
- г) совершенствование самоуправления и самооценки знаний и познавательной деятельности обучающихся;
- д) необходимо усовершенствовать и обеспечить оценочную деятельность.

Использовал книги:

1. Варламова Т.П. Формирование логической компетентности в процессе обучения математике - Красноярск, 2006 г. - 195 с.

2. К,одиров К.Р., Нишонбоев А.С., К,одирова Х.К. Укувчиларнинг мантилий компетентликни шакллантириш мезонлари ва математикани уқитиш жараёнида уни шакллантиришнинг дидактик усуллари. НамДУ илмий ахборотномаси. 2021. №4. 371-376 б.

3. Kodirov, K. R., & Nishonbaev, A. S. (2021). On the scientific basis of forming students' logical competence. *ACADEMICIA: An International Multidisciplinary Research Journal*, 11(3)

4. Крдиров К.Р., Нишонбоев А.С., Кодирова Х.К. 5-6 синф укувчиларини математика уқитиш жараёнида мантилий компетентлигини шакиллантириш. НамДУ илмий ахборотномаси. 2021. №4. 353 -357 б.

5. Тургунбаев Р.М., Крдиров К.Р., Нишонбоев А.С. Математика уқитишда фаолиятли ёндашув ва унинг ахдмияти. НамДУ илмий ахборотномаси. 2022. №9. 518 -523 б.

6. Yunusalievich, B. T. (2022). Use of practical training and independent work in teaching mathematics. *Academicia Globe: Inderscience Research*,

TABLE OF CONTENTS / ОГЛАВЛЕНИЯ / MUNDARIJA

№	The subject of the article / Тема статьи / Maqola mavzusi	Page / Страница / Sahifa
1	LITERATURE OF DIVERSITY AND ITS FUNCTION	3
2	LIVER AND ITS FUNCTIONS	10
3	KIDNEY STONE DISEASE: CAUSES, SYMPTOMS, AND TREATMENT METHODS	13
4	INTERCULTURAL COMMUNICATION	16
5	IJTIMOYIY FANLARNI O' QITISHDA YANGI PEDAGOGIK TEXNOLOGIYALARNING O'RNI	22
6	“PEDAGOGIK TEXNOLOGIYANING TA'LIM JARAYONIDAGI ROLI”	27
7	PEDAGOGIKA SOHASIDA ILG'OR TEXNOLOGIYALARNING O'RNI VA AHAMIYATI	31
8	PEDAGOGIK FANLARNI O'QITISHDA METOD VA USULLARDAN FOYDALANISH	36
9	PEDOGOGIKA FANINING RIVOJLANISH TARIXI	39
10	JAMIYATNI AXBOROTLASHTIRISHNI TA'LIM TIZIMIDAGI AHAMIYATI	42
11	SIYDIK TOSH KASALLIKLARI VA ULARNI DAVOLASHDA QO'LLANILADIGAN DISTANSIYALI ZARB-TO'LQINLI LITOTRIPSIYA	49
12	O'TKIR HOSHIMOVNING HAYOTI VA IJODI VA UNING ADABIY ESTETIK QARASHLARI	58
13	YANGI VA O'TA YANGI YULDUZLAR	61
14	OQ KARLIKLAR VA QORA O'RA	64
15	GALAKTIKALAR TURLARI	66
16	O'QITUVCHINING MULOQOT ASOSIDA SINIF JAMOASINI BOSHQARISH	69
17	YARIMO'TKAZGICHLARDA ZARYAD TASHUVCHILAR	72
18	O'QITUVCHINING KASBIY FAOLIYATIDA MULOQOT TIZIMI	78
19	O'ZBEKISTON TURIZMIDA XOJATXONA MUAMMOLARI	82
20	O'ZBEKISTONNING TURIZMDAGI SALOHİYATI	86
21	TOSHKENT SHAHRI TURIZMI RIVOJLANISHI VA UNING KAMCHILIKLARI	91
22	EKOTURIZMGA MILLIY O'YINLARIMIZNI KIRITISH	95
23	GENERAL CHARACTERISTICS OF THE ECHINOPS SPHAEROCEPHALUS AND ITS PRACTICAL SIGNIFICANCE	100
24	NEMIS TILI DARSLARIDA O'QUVCHILARNING NUTQINI RIVOJLANTIRISHDA O'YINLARNING AHAMIYATI	105
25	ENERGIYA SAMARADORLIGI VA TEJAMKORLIGINI OSHIRISHNING HUQUQIY ASOSLARI	107
26	LIGHTING STANDARDS AND REQUIREMENTS FOR ROOMS.	111
27	ENERGY AUDIT REQUIREMENTS	114

28	EFFECTIVE USE OF ELECTRICITY IN AGRICULTURE AND ITS IMPORTANCE	117
29	O'RTA MIYA. ORALIQ MIYA (KO'RUV BO'RTIG'I SOXASI) TUZILISHI VA YOSHGA QARAB O'ZGARISHI. ORALIQ MIYA (GIPOTALAMUS), III-QORINCHA: DEVORI, TESHIKLARI, KLINIK AHAMIYATI. MRT VA KT DAGI TASVIRI	121
30	AKSIYADORLIK JAMIYATLARINING MOLIYAVIY FAOLIYATI KO'RSATKICHLARINI OSHIRISH	125
31	HUDUDLAR IJTIMOIIY-IQTISODIY TARAQQIYOTINI TA'MINLASHDA XORIJIY INVESTISIYALARDAN FOYDALANISH ISTIQBOLLARI	131
32	DUAL SEMANTICS OF PARTIAL REALIAS ("FALSE FRIENDS" OF THE TRANSLATOR. ENGLISH-UZBEK LANGUAGES)	137
33	KOMPRESSOR STANSIYALARINI TABIIY GAZNI SIQISH JARAYONIDA QO'LLANILISHINI AHAMIYATI	141
34	BOSHLANG'ICH SINFLARGA SIFAT SO'Z TURKUMI O'QITITISH METODIKASI	145
35	NUTQNING ASOSIY FONETIK BIRLIKLARI	148
36	АРХИТЕКТУРНЫЙ ПАТТЕРН MVТ ИСПОЛЬЗУЕМЫЙ ФРЕЙМБОРКОМ DJANGO	154
37	BOSHLANG'ICH TA'LIM TAHSIL MAZMUNINI RIVOJLANTIRISHDA VARIATIV YONDASHUVNING O'RNI	158
38	ВИДЫ И ПРЕИМУЩЕСТВА ВНЕУЧЕБНОЙ МЕРОПРИЯТИЙ	162
39	МАКТАВ O'QITUVCHILARINING KASBIY MADANIYATINI RIVOJLANTIRISH IJTIMOIIY XUSUSIYATLARI	165
40	ФОРМИРОВАНИЕ ЛОГИЧЕСКОЙ КОМПЕТЕНТНОСТИ В ПРОЦЕССЕ ОБУЧЕНИЯ МАТЕМАТИКЕ	169

***Напоминание!** — Образование наука и инновационные идеи в мире || Авторы несут персональную ответственность за правильность цифр и данных в статьях и планах занятий, включенных в мировой научно-методический журнал, и за правильность приведенных цитат.*

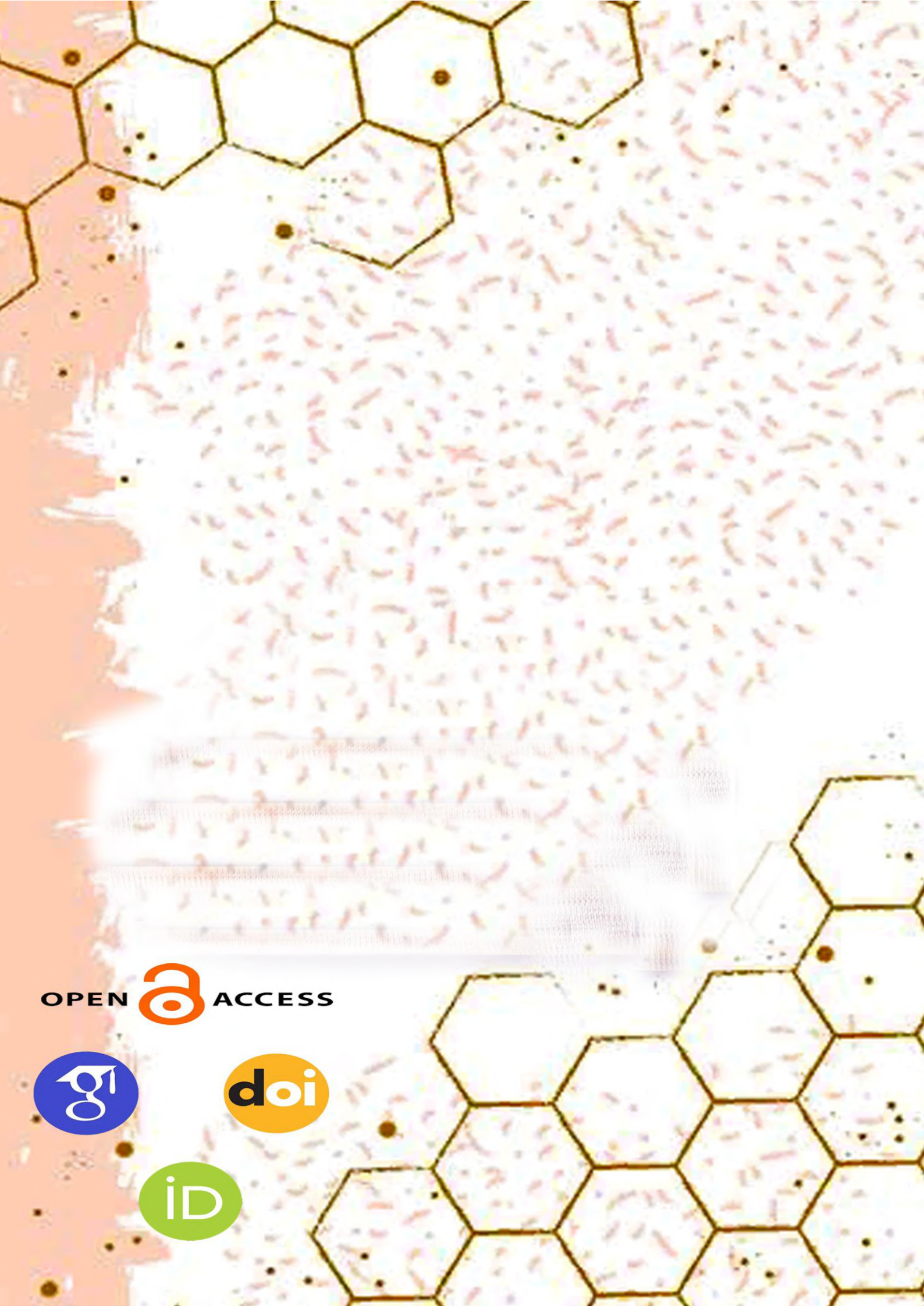
**Главный редактор:
Семёнов Владимир Львович**

**Помощник редактора:
Абдурахманов Бобуржон**

**Подготовитель к публикации:
Халиков Тохирджон Шавкатжонович**

— Образование наука и инновационные идеи в мире всемирный научно-методический журнал, 2024-г.





OPEN  ACCESS

